

High-Bay Luminaires

EBY400

High Bay Luminaire

6,7 or 8 Lamps T8 or T5HO / 4' or 8'



FEATURES

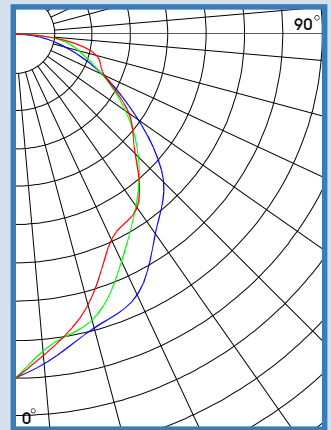
- Miro 4 specular enhanced aluminum reflector, 95% reflectance.
- Removable wiring accessed plate.
- Stem, cable, and chain mountable.
- Quarter turn rotary locking sockets.
- Baked white polyester finish.
- Electronic ballast, universal voltage. (120v / 277v, 320v/480v)

AVAILABLE WITH

- Special ballast
- Steel safety cable
- White aluminum reflector
- Motion sensor
- Wire guard
- Cord and plug

EBY400-8-4M-SR-E5H

TEST NO.=LA-T0961
LAMP TYPE=F54T5HO
NO. OF LAMP=8
LUMENS PER LAMP=5000
WATTS PER LAMP=54
BALLAST FACTOR=1
PHOTOMETRY TYPE=C



CANDLEPOWER

Angle	End	45	Cross
0	15701	15701	15701
5	15102	14501	14713
15	13886	13512	12764
25	13125	11422	10337
35	11097	9556	9648
45	9524	7898	7677
55	6795	6083	6279
65	4356	4317	4439
75	2355	2954	3810
85	775	1436	1542
90	41	55	54
95	0	0	0
105	0	0	0
115	0	0	0
125	0	0	0
135	0	0	0
145	0	0	0
155	0	0	0
165	0	0	0
175	0	0	0
180	0	0	0

ZONAL LUMEN SUMMARY

DEGREES	LUMENS	% LAMP	% FIXTURE
0-30	10572	26.4	28.2
0-40	16831	42.1	44.9
0-60	28881	72.2	77.0
0-90	37472	93.7	100
90-120	14	0.0	0
90-130	14	0.0	0
90-150	14	0.0	0
90-180	14	0.0	0
0-180	37486	93.7	100

Luminaire Efficiency = 93.7%

SPACING CRITERION

ALONG	ACROSS
1.15	0.91



LOS ANGELES LIGHTING MFG. CO.

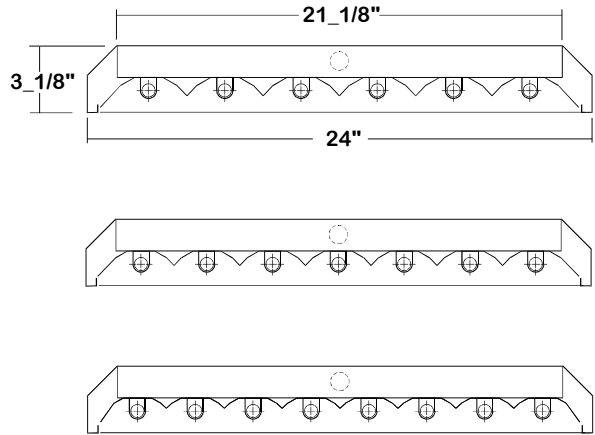
10141 OLNEY ST. / EL MONTE, CA 91731

<http://www.lalighting.com>

TEL : 626-454-8300 FAX : 626-454-8399



EBY400 SERIES



● ALUMINUM REFLECTOR SECURED WITH QUARTER TURN FASTENERS FOR EASE OF MAINTENANCE.

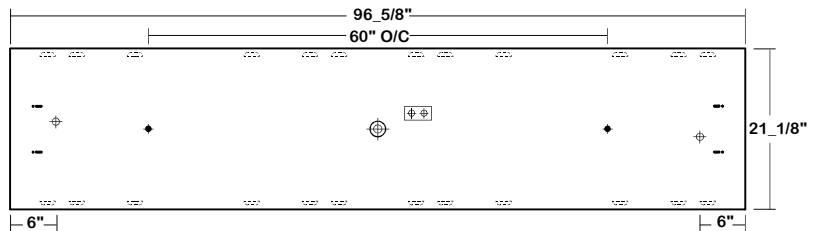
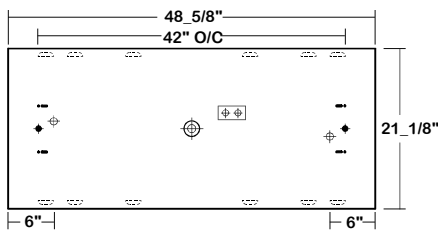
CATALOG NUMBER

	NOMINAL LENGTH	TOTAL LAMPS		NOMINAL LENGTH	TOTAL LAMPS
EBY400-6-4M	4'	6	EBY400-6-4R	4'	6
EBY400-7-4M	4'	7	EBY400-7-4R	4'	7
EBY400-8-4M	4'	8	EBY400-8-4R	4'	8
EBY400-6-8MT	8'	12	EBY400-6-8RT	8'	12
EBY400-7-8MT	8'	14	EBY400-7-8RT	8'	14
EBY400-8-8MT	8'	16	EBY400-8-8RT	8'	16

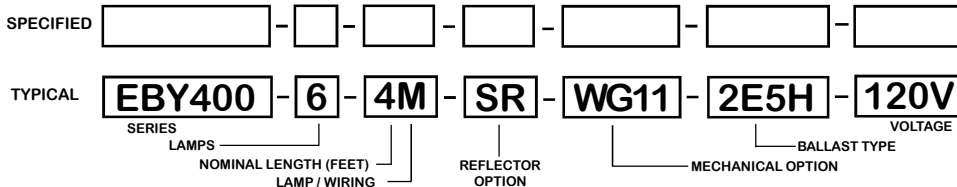
BACK PLATE

● V-HOOK ◆ 11/16" STEM MTG. K.O. ⊕ 7/8" OFFSET K.O.

⊕ ⊕ ACCESS PLATE ⊕ 2" K.O.



ORDERING GUIDE



NOTE: LAMP/WIRING*

- M= Miniature Bi-Pin T5
- MT= Miniature Bi-Pin T5, Tandem Wiring
- R= Medium Bi-Pin T8
- RT= Medium Bi-Pin T8, Tandem Wiring

OPTIONS and ACCESSORIES

● BALLAST OPTIONS	PAGE REF-1	● ELECTRICAL OPTIONS	PAGE REF-2	● MECHANICAL OPTIONS	PAGE REF-4,5&6
Electronic Ballast T5	E5	Emergency Battery Pack	*	Damp Location	DL
Electronic Ballast T5 HO	E5H	External Line Fusing (HLR/GLR)	ELF	Wire Guard - 11 Ga.	WG11
Electronic T5 HO Dimming Ballast	E5HDM	Radio Interference Filters	RIF	Wire Guard w/ Lens	WG/PA
Electronic Ballast T8	*	Motion Sensor	MS	Fixture Suspending System	*
Electronic Dimming Ballast	EDM	● REFLECTOR OPTIONS	SUFFIX	Ceiling Spacer	*
Digital Addressable Ballast	DAB	Specular Aluminum Reflector, 95%	SR	V-Hooks For Chain MTG.	V-6
		White Aluminum Reflector	WR		

*See Appropriate Reference Page

SPECIFICATIONS

- **TYPE**
High bay open light luminaire for surface or suspended mounting. Must be spaced a minimum of 1 1/2" from ceiling when surface mounted.
- **CONSTRUCTION**
22 gauge cold rolled steel housing with louvered vents on top for heat removal.
Quarter turn rotary locking lampholders standard. (20 ga. C.R.S. and .040 aluminum housing available as specified)
Specular aluminum reflector standard, 95% reflectance. (White aluminum reflector available)
- **REFLECTOR**
Baked white polyester finish, minimum reflectance 86%. (Powder coated finish available.)
- **FINISH**
120v 60Hz., 277v 60Hz., UNV (universal voltage 120v thru 277v.) or as otherwise specified. Multiple levels of switching available as specified.
- **WIRING**
U.L. Listed.
- **LABELS**



Made in the U.S.A.