

High-Bay Luminaires

EBY401

High Bay Luminaire w/ Uplight

6, 7 or 8 Lamps T8 or T5HO / 4' or 8'



SPECIFICATIONS

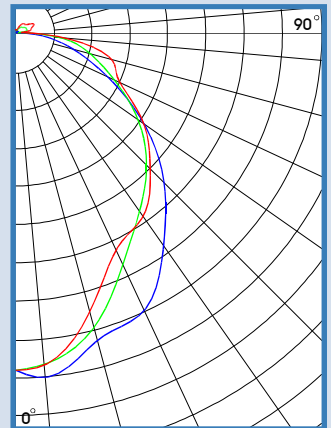
- Up-Light.
- Miro 4 specular enhanced aluminum reflector, 95% reflectance.
- Removable wiring accessed plate.
- Stem, cable, and chain mountable.
- Quarter turn rotary locking sockets.
- Baked white polyester finish.
- Electronic ballast, universal voltage. (120v / 277v, 320v/480v)

AVAILABLE WITH

- Special ballast
- Steel safety cable
- White aluminum reflector
- Motion sensor
- Wire guard
- Cord and plug

EBY401-8-4M-SR-U-E5H

TEST NO.=LA-T1432
LAMP TYPE=F54T5HO
NO. OF LAMP=8
LUMENS PER LAMP=5000
WATTS PER LAMP=54
BALLAST FACTOR=1
PHOTOMETRY TYPE=C



CANDLEPOWER

Angle	End	45	Cross
0	13367	13367	13367
5	13701	13173	13203
15	12588	12048	11391
25	12096	10068	9446
35	10209	8564	8826
45	8287	7321	7518
55	6126	5859	6141
65	3879	4228	4502
75	2193	2955	3863
85	725	1375	1546
90	54	168	279
95	69	271	418
105	84	445	626
115	90	436	785
125	69	352	552
135	72	294	478
145	89	205	402
155	97	91	178
165	94	106	86
175	94	102	116
180	120	120	120

ZONAL LUMEN SUMMARY

DEGREES	LUMENS	% LAMP	% FIXTURE
0-30	9501	23.8	25.9
0-40	15180	38.0	41.3
0-60	26454	66.1	72.0
0-90	34868	87.2	94.9
90-120	1113	2.8	3.0
90-130	1410	3.5	3.8
90-150	1772	4.4	4.8
90-180	1862	4.7	5.1
0-180	36731	91.8	100.0

Luminaire Efficiency = 91.8%

SPACING CRITERION

ALONG	ACROSS
1.23	0.99



LOS ANGELES LIGHTING MFG. CO.

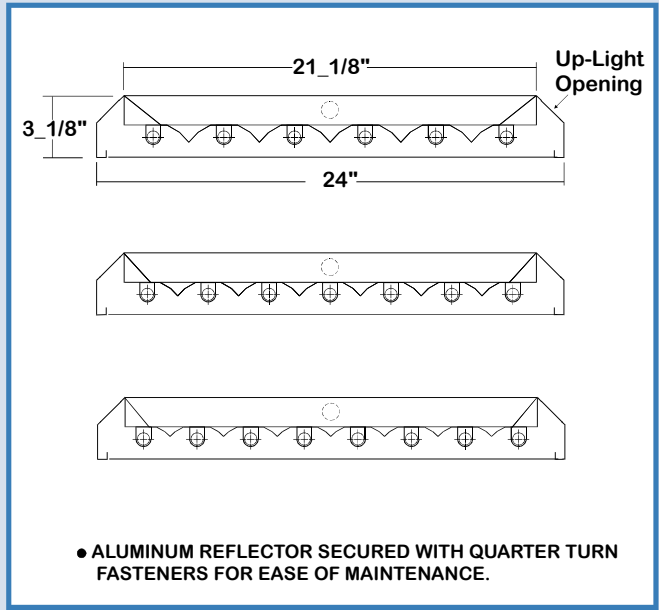
10141 OLNEY ST. / EL MONTE, CA 91731

<http://www.lalighting.com>

TEL : 626-454-8300 FAX : 626-454-8399



EBY401 SERIES



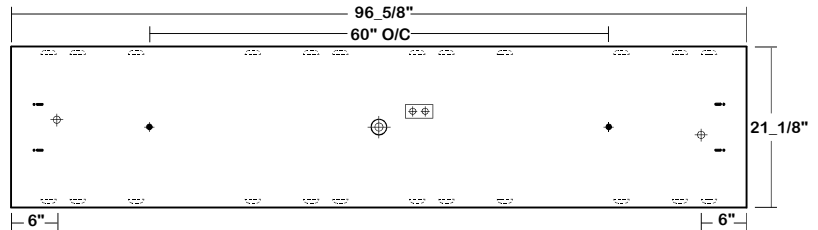
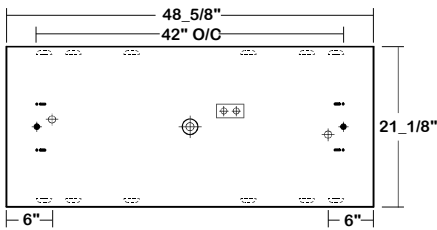
CATALOG NUMBER

	NOMINAL LENGTH	TOTAL LAMPS		NOMINAL LENGTH	TOTAL LAMPS
EBY401-6-4M	4'	6	EBY401-6-4R	4'	6
EBY401-7-4M	4'	7	EBY401-7-4R	4'	7
EBY401-8-4M	4'	8	EBY401-8-4R	4'	8
EBY401-6-8MT	8'	12	EBY401-6-8RT	8'	12
EBY401-7-8MT	8'	14	EBY401-7-8RT	8'	14
EBY401-8-8MT	8'	16	EBY401-8-8RT	8'	16

BACK PLATE

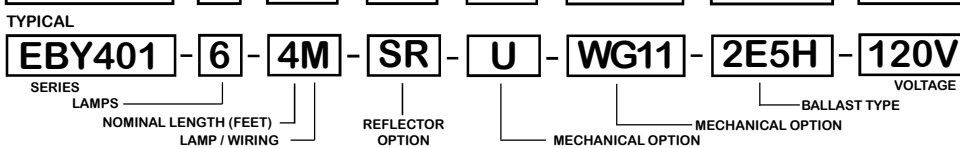
--- V-HOOK ◆ 11/16" STEM MTG. K.O. ⊕ 7/8" OFFSET K.O.

⊕ ⊕ ACCESS PLATE ⊕ 2" K.O.



ORDERING GUIDE

SPECIFIED



NOTE: LAMP/WIRING*

- M= Miniature Bi-Pin T5
- MT= Miniature Bi-Pin T5, Tandem Wiring
- R= Medium Bi-Pin T8
- RT= Medium Bi-Pin T8, Tandem Wiring

OPTIONS and ACCESSORIES

● BALLAST OPTIONS	PAGE REF-1	● ELECTRICAL OPTIONS	PAGE REF-2	● MECHANICAL OPTIONS	PAGE REF-4,5&6
Electronic Ballast T5	E5	Emergency Battery Pack	*	Damp Location	DL
Electronic Ballast T5 HO	E5H	External Line Fusing (HLR/GLR)	ELF	Wire Guard - 11 Ga.	WG11
Electronic T5 HO Dimming Ballast	E5HDM	Radio Interference Filters	RIF	Wire Guard w/ Lens	WG/PA
Electronic Ballast T8	*	Motion Sensor	MS	Fixture Suspending System	*
Electronic Dimming Ballast	EDM			Ceiling Spacer	*
Digital Addressable Ballast	DAB			V-Hooks For Chain MTG.	V-6
		● REFLECTOR OPTIONS	SUFFIX		
		Specular Aluminum Reflector, 95%	SR		
		White Aluminum Reflector	WR		

*See Appropriate Reference Page

SPECIFICATIONS

- **TYPE** High bay open light luminaire for surface or suspended mounting. Must be spaced a minimum of 1 1/2" from ceiling when surface mounted.
- **CONSTRUCTION** 22 gauge cold rolled steel housing with louvered vents on top for heat removal. Quarter turn rotary locking lampholders standard. (20 ga. C.R.S. and .040 aluminum housing available as specified)
- **REFLECTOR** Specular aluminum reflector standard, 95% reflectance. (White aluminum reflector available)
- **UP_LIGHT** 10% up-light opening standard.
- **FINISH** Baked white polyester finish , minimum reflectance 86%. (Powder coated finish available.)
- **WIRING** 120v 60Hz., 277v 60Hz., UNV (universal voltage 120v thru 277v.) or as otherwise specified. Multiple levels of switching available as specified.
- **LABELS** U.L. Listed.



Made in the U.S.A.