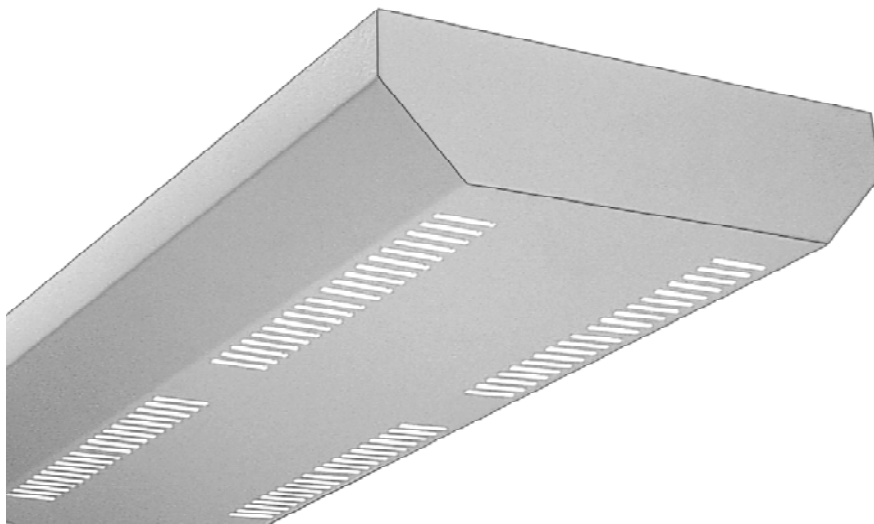


Indirect Luminaires

PID200

Indirect Luminaire

2 Lamps T8 or T5HO / 4' or 8'



FEATURES

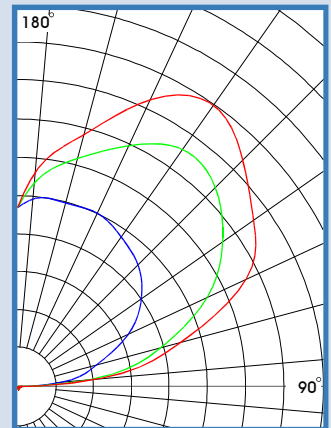
- Die cast aluminum end caps
- Quarter turn rotary locking sockets.
- Textured matte white powder coated finish, painted after fabrication.
- Electronic ballast.

AVAILABLE WITH

- Special ballast
- Miros 4 specular enhanced aluminum reflector.
- Custom colors

PID200-2-4M-SS-E5H

TEST NO.=LA-T0604
LAMP TYPE=F54T5HO
NO. OF LAMP=3
LUMENS PER LAMP=5000
WATTS PER LAMP=54
BALLAST FACTOR=1
PHOTOMETRY TYPE=C



CANDLEPOWER

Angle	End	45	Cross
0	5	5	5
5	7	17	19
15	10	21	25
25	16	27	24
35	17	20	13
45	15	18	23
55	11	19	18
65	9	13	13
75	8	6	4
85	4	1	1
90	31	21	24
95	311	515	583
105	616	1121	1278
115	924	1588	1916
125	1148	1905	2195
135	1299	2131	2425
145	1381	2198	2607
155	1450	2021	2409
165	1441	1797	1988
175	1434	1564	1649
180	1360	1360	1360

ZONAL LUMEN SUMMARY

DEGREES	LUMENS	% LAMP	% FIXTURE
0-30	18	0.2	0.2
0-40	28	0.3	0.3
0-60	58	0.6	0.6
0-90	85	0.8	0.9
90-120	2986	29.9	32.8
90-130	4590	45.9	50.5
90-150	7453	74.5	81.9
90-180	9012	90.1	99.1
0-180	9097	91.0	100.0

Luminaire Efficiency = 91.0%

SPACING CRITERION

ALONG	ACROSS
2.63	3.15



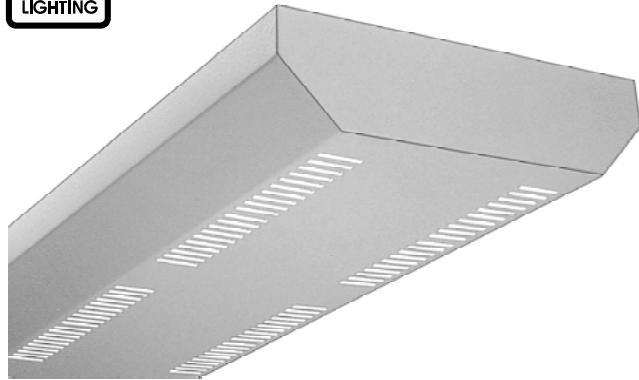
LOS ANGELES LIGHTING MFG. CO.

10141 OLNEY ST. / EL MONTE, CA 91731

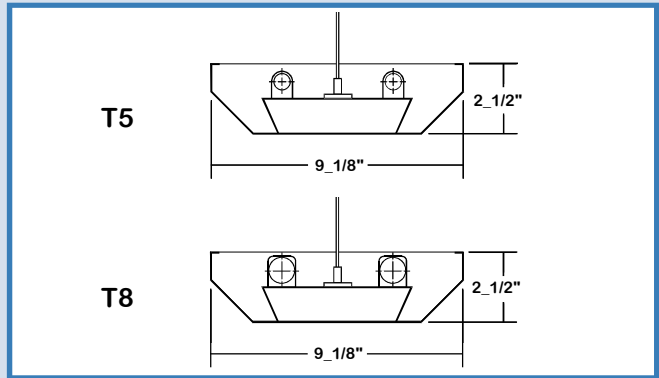
<http://www.lalighting.com>

TEL : 626-454-8300 FAX : 626-454-8399

ARCHITECTURAL

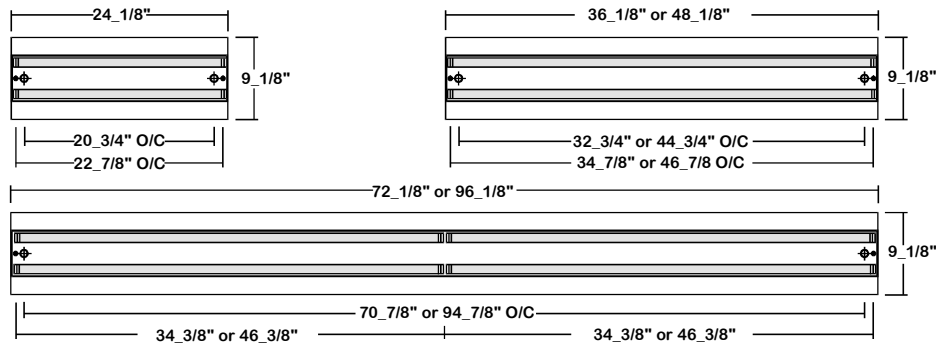


PID200 SERIES



TOP VIEW

- 11/16" K.O.
- ⊕ 7/8" K.O.

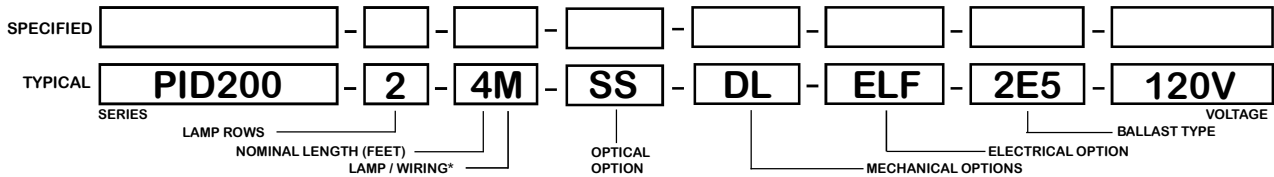


CATALOG NUMBER

	NOMINAL LENGTH	TOTAL LAMPS		NOMINAL LENGTH	TOTAL LAMPS
PID200-2-2M	2'	2	PID200-2-2TH	2'	2
PID200-2-3M	3'	2	PID200-2-3R	3'	2
PID200-2-4M	4'	2	PID200-2-4R	4'	2
PID200-2-6MT	6'	4	PID200-2-6RT	6'	4
PID200-2-8MT	8'	4	PID200-2-8RT	8'	4

Note: To Denote Specular Aluminum Cover Add "SR" To Beginning Of Catalog Number.

ORDERING GUIDE



NOTE: LAMP/WIRING*

M=Miniature Bi-Pin T5
MT=Miniature Bi-Pin T5, Tandem Wiring

R=Medium Bi-Pin T8
RT=Medium Bi-Pin T8, Tandem Wiring

OPTIONS and ACCESSORIES

● BALLAST OPTIONS

- Electronic Ballasts T5
- Electronic Ballasts T5 HO
- Electronic Dimming T5HO Ballast
- Electronic Ballasts T8
- Electronic Dimming Ballast
- Digital Addressable Ballast

PAGE REF-1
E5
E5H
E5HDM
*
EDM
DAB

● MECHANICAL OPTIONS

- Damp Location

PAGE REF-4,5&6
DL

● ELECTRICAL OPTIONS

- Emergency Battery Pack
- External Line Fusing (HLR/GLR)

PAGE REF-2
*
ELF

● MOUNTING ACCESSORIES

- Blank Canopy With Cable
- Feed-In Canopy With Straight White Cord
- Fixture Suspending System

PAGE REF-4 & 5
433B-48
444F-48SWC
*

● OPTICAL OPTIONS

- Straight Slots
- Round Holes

PAGE REF-3
SS
RH

NOTE: Other shapes available

*See appropriate Reference Page

SPECIFICATIONS

- TYPE
- CONSTRUCTION
- OPTICS
- FINISH
- WIRING
- LABELS

2-lamp indirect suspended mounted luminaire.
 20 ga. cold rolled steel welded housing.
 Straight slots opening and round holes opening are standard, other shapes available.
 Textured matte white powder coated finish, minimum reflectance 90%, painted after fabrication.
 120v 60Hz., 277v 60Hz., UNV (universal voltage 120v thru 277v.) or as otherwise specified.
 U.L. Listed.



Made in the U.S.A.