

THE BAYLIGHTER™

SRMBL220

The Baylighter™, General Area

40w, 50w, 55w Biax® Lamp



FEATURES

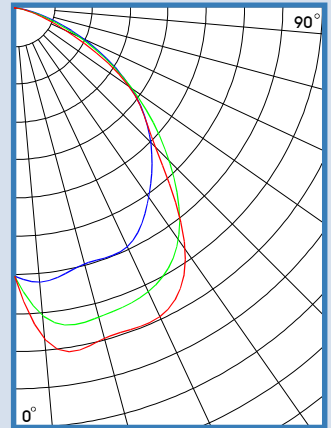
- T-Hinge and spring loaded latch door assembly.
- Clear prismatic acrylic lens.
- Miro 4 specular enhanced aluminum reflector, 95% reflectance.
- Baked white powder coated finish, painted after fabrication.
- Electronic ballast.

AVAILABLE WITH

- Variety of lenses
- Special ballast
- Multi-level switching
- White aluminum reflector
- Motion sensor
- Cord and plug
- Stem or mounting cable

SRMBL220-6-2B-CA-EB40

TEST NO.=LA-T0297
 LAMP TYPE=F40BX
 NO. OF LAMP=6
 LUMENS PER LAMP=3150
 WATTS PER LAMP=40
 BALLAST FACTOR=1
 PHOTOMETRY TYPE=C



CANDLEPOWER

Angle	End	45	Cross
0	4497	4497	4497
5	4615	5159	5547
15	4452	5374	5743
25	4432	5263	5723
35	3910	4776	4989
45	3234	3683	3365
55	2414	2451	2390
65	1358	1274	1065
75	485	384	319
85	56	41	36
90	0	1	0
95	0	0	0
105	0	0	0
115	0	0	0
125	0	0	0
135	0	0	0
145	0	0	0
155	0	0	0
165	0	0	0
175	0	0	0
180	0	0	0

ZONAL LUMEN SUMMARY

DEGREES	LUMENS	% LAMP	% FIXTURE
0-30	4362	23.1	31.6
0-40	7260	38.4	52.5
0-60	12141	64.2	87.8
0-90	13826	73.2	100
90-120	0	0.0	0
90-130	0	0.0	0
90-150	0	0.0	0
90-180	0	0.0	0
0-180	13826	73.2	100

Luminaire Efficiency = 73.2%

SPACING CRITERION

ALONG	ACROSS
1.35	1.54



LOS ANGELES LIGHTING MFG. CO.

10141 OLNEY ST. / EL MONTE, CA 91731

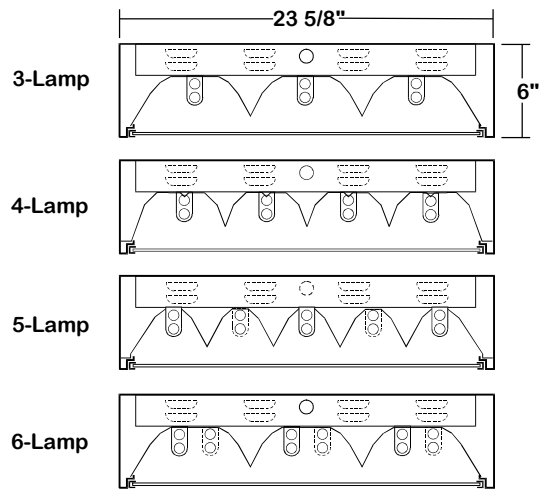
<http://www.lalighting.com>

TEL : 626-454-8300 FAX : 626-454-8399

BAYLIGHTER™



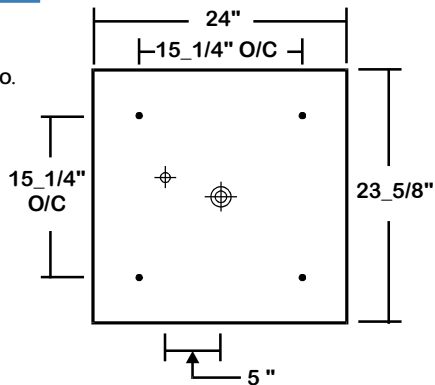
SRMBL220 SERIES



• Reflector / Wireway cover is designed for easy maintenance. Removable center piece without the use of tools.

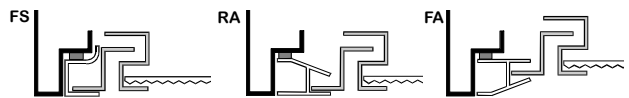
BACK PLATE

- 3/8" K.O.
- 2" K.O.
- 7/8" OFFSET K.O.



DOOR FRAME INFORMATION

• **CROSS SECTION**



• **DOOR FRAME STYLES**

- FS - Flat Steel
- FA - Flat Extruded Aluminum
- RA - 5/8" Regressed Extruded Aluminum

• **AIR SLOT**

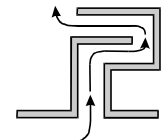
Formed air slot, allows air circulation for heat removal.

• **FINISHES**

- W - White Enamel
- B - Black Enamel

• **GASKETING**

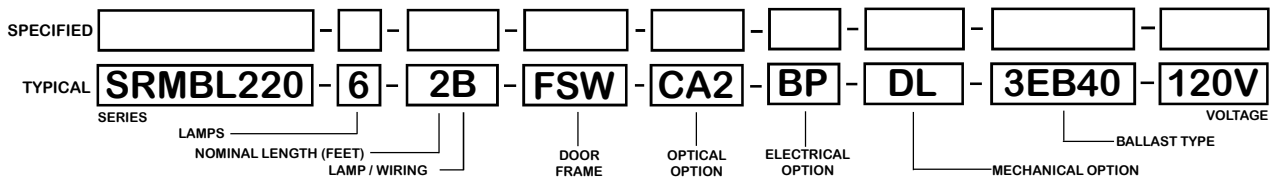
Gasketing Between Door Frame and Fixture Housing.



CATALOG NUMBER

	NOMINAL LENGTH	TOTAL LAMPS
SRMBL220-3-2B	2'X2'	3
SRMBL220-4-2B	2'X2'	4
SRMBL220-5-2B	2'X2'	5
SRMBL220-6-2B	2'X2'	6

ORDERING GUIDE



OPTIONS and ACCESSORIES

• **BALLAST OPTIONS**

PAGE REF-1

- Electronic 40W Compact Twin Tube EB40
- Electronic 50W Compact Twin Tube EB50
- Electronic 55W Compact Twin Tube EB55
- Digital Addressable Ballast DAB

• **ELECTRICAL OPTIONS**

PAGE REF-2

- Emergency Battery Pack *
- External Line Fusing (HLR/GLR) ELF
- Radio Interference Filters RIF
- Motion Sensor MS

• **OPTICAL OPTIONS**

PAGE REF-3

- Clear Acrylic .125 CA2
- Clear Prismatic Acrylic- Pattern 12 .125 PA2

• **MECHANICAL OPTIONS**

PAGE REF-4,5&6

- Damp Location DL
- Ceiling Spacers *

*See Appropriate Reference Page

SPECIFICATIONS

• **TYPE**

Surface mounted, general area luminaire for medium bay / high bay applications. 5-lamp and 6-lamp fixtures with 50w or 55w lamps and ballasts must be spaced a minimum of 1/2" from ceiling when surface mounted.

• **CONSTRUCTION**

20 gauge cold rolled steel housing. Welded construction with louvered vents on each side for heat removal.

• **DOOR FRAME**

20 gauge cold rolled steel or extruded aluminum in various finishes. T-hinge, positive spring loaded latch.

• **OPTICS**

Available with various clear or prismatic acrylic lenses, or louvers.

• **REFLECTOR**

Enhanced aluminum reflectors, 95% reflectance.

• **FINISH**

Baked white powder coated finish, minimum reflectance 90%, painted after fabrication.

• **WIRING**

120v 60Hz., 277v 60Hz., UNV (universal voltage 120v thru 277v.) or as otherwise specified. Up to 6 levels of switching available as specified.

• **LABELS**

U.L. Listed.



Made in the U.S.A.