

THE BAYLIGHTER™

SRPBL220

The Baylighter™, General Area

40w, 50w, 55w Biax® Lamp



FEATURES

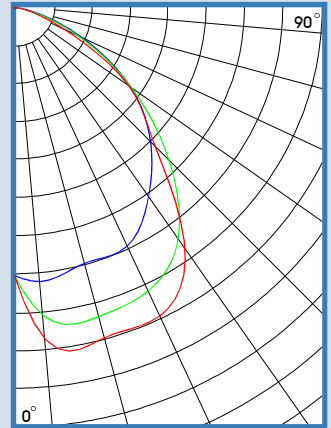
- Die cast hub for 3/4" pipe mounting.
- Steel safety cable.
- T-Hinge and spring loaded latch door assembly.
- Clear prismatic acrylic lens.
- Removable wiring accessed plate.
- Miro 4 specular enhanced aluminum reflector, 95% reflectance.
- Baked white powder coated finish, painted after fabrication.
- Electronic ballast.

AVAILABLE WITH

- Variety of lenses
- Special ballast
- Multi-level switching
- White aluminum reflector
- Motion sensor
- Cord and plug

SRPBL220-6-2B-CA-EB40

TEST NO.=LA-T0297
LAMP TYPE=F40BX
NO. OF LAMP=6
LUMENS PER LAMP=3150
WATTS PER LAMP=40
BALLAST FACTOR=1
PHOTOMETRY TYPE=C



CANDLEPOWER

Angle	End	45	Cross
0	4497	4497	4497
5	4615	5159	5547
15	4452	5374	5743
25	4432	5263	5723
35	3910	4776	4989
45	3234	3683	3365
55	2414	2451	2390
65	1358	1274	1065
75	485	384	319
85	56	41	36
90	0	1	0
95	0	0	0
105	0	0	0
115	0	0	0
125	0	0	0
135	0	0	0
145	0	0	0
155	0	0	0
165	0	0	0
175	0	0	0
180	0	0	0

ZONAL LUMEN SUMMARY

DEGREES	LUMENS	% LAMP	% FIXTURE
0-30	4362	23.1	31.6
0-40	7260	38.4	52.5
0-60	12141	64.2	87.8
0-90	13826	73.2	100
90-120	0	0.0	0
90-130	0	0.0	0
90-150	0	0.0	0
90-180	0	0.0	0
0-180	13826	73.2	100

Luminaire Efficiency = 73.2%

SPACING CRITERION

ALONG	ACROSS
1.35	1.54



LOS ANGELES LIGHTING MFG. CO.

10141 OLNEY ST. / EL MONTE, CA 91731

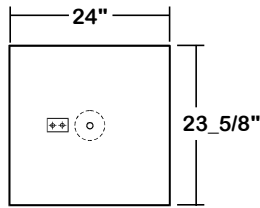
<http://www.lalighting.com>

TEL : 626-454-8300 FAX : 626-454-8399



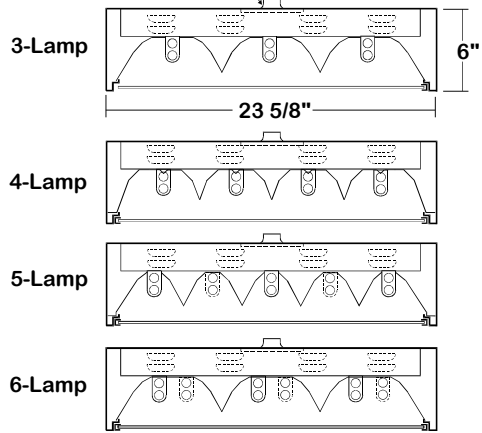
BACK PLATE

- 3/4" HUB
- ACCESS PLATE



SRPBL220 SERIES

DIE CAST HUB FOR 3/4" PIPE. (INCLUDED) PENDANT BY OTHERS.



• Reflector / Wireway cover is designed for easy maintenance. Removable center piece without the use of tools.

CATALOG NUMBER

	NOMINAL LENGTH	TOTAL LAMPS
SRPBL220-3-2B	2'X2'	3
SRPBL220-4-2B	2'X2'	4
SRPBL220-5-2B	2'X2'	5
SRPBL220-6-2B	2'X2'	6

HUB FOR 3/4" PIPE

Aluminum die cast hub for 3/4" pipe with safety cable set.



- Each set consists of:
- One Hub .
 - 8' cable, one end free and the other end secured within fixture.
 - Self-locking device secures the free end to ceiling member.

*Please see Page REF-5 for mounting detail.

DOOR FRAME INFORMATION

• **CROSS SECTION**



• **DOOR FRAME STYLES**

- FS - Flat Steel
- FA - Flat Extruded Aluminum
- RA - 5/8" Regressed Extruded Aluminum

• **AIR SLOT**

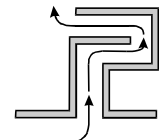
Formed air slot, allows air circulation for heat removal.

• **FINISHES**

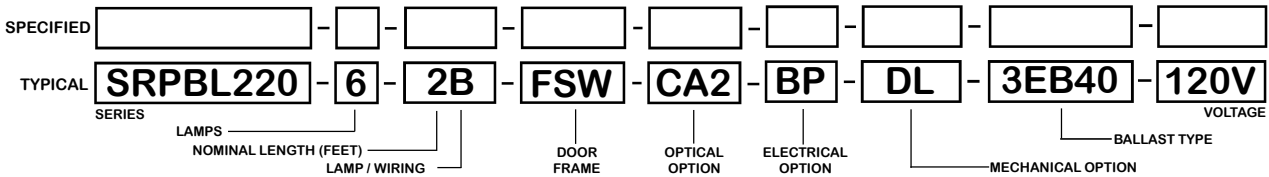
- W - White Enamel
- B - Black Enamel

• **GASKETING**

Gasketing Between Door Frame and Fixture Housing.



ORDERING GUIDE



OPTIONS and ACCESSORIES

• **BALLAST OPTIONS**

	PAGE REF-1
Electronic 40W Compact Twin Tube	EB40
Electronic 50W Compact Twin Tube	EB50
Electronic 55W Compact Twin Tube	EB55
Digital Addressable Ballast	DAB

• **ELECTRICAL OPTIONS**

	PAGE REF-2
Emergency Battery Pack	*
External Line Fusing (HLR/GLR)	ELF
Radio Interference Filters	RIF
Motion Sensor	MS

• **OPTICAL OPTIONS**

	PAGE REF-3
Clear Acrylic .125	CA2
Clear Prismatic Acrylic- Pattern 12 .125	PA2

• **MECHANICAL OPTIONS**

	PAGE REF-4,5&6
Damp Location	DL
Ceiling Spacers	*

*See Appropriate Reference Page

SPECIFICATIONS

- **TYPE** Pendant mounted, general area luminaire for low bay / high bay applications.
- **DOOR FRAME** 20 gauge cold rolled steel or extruded aluminum in various finishes. T-hinge, positive spring loaded latch.
- **OPTICS** Available with various clear or prismatic acrylic lenses, or louvers.
- **CONSTRUCTION** 20 gauge die formed cold rolled steel housing with hub for 3/4" pipe. Welded construction with louvered vents on each side for heat removal.
- **REFLECTOR** Enhanced aluminum reflectors, 95% reflectance.
- **FINISH** Baked white powder coated finish, minimum reflectance 90%, painted after fabrication.
- **WIRING** 120v 60Hz., 277v 60Hz., UNV (universal voltage 120v thru 277v.) or as otherwise specified. Up to 6 levels of switching available as specified.
- **SAFETY CABLE** 1/8" safety cable allows attachment to ceiling member at a maximum of 72" from top of fixture. Supplied with a self-locking grip.
- **LABELS** U.L. Listed.



Made in the U.S.A.