

# Open Commercial Series

## STR240

### Open Commercial Series

1 or 2 Lamps Open Lamps Strip



#### FEATURES

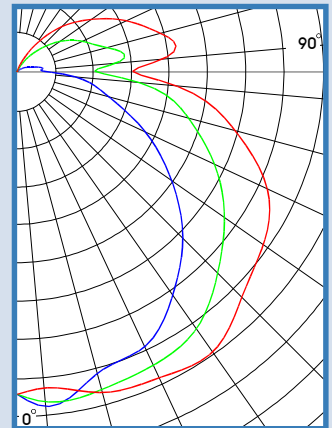
- Cold rolled steel housing.
- Screw-on end caps.
- Row mountable.
- Stem, cable, and chain mountable.
- Baked white polyester finish.
- Electronic ballast.

#### AVAILABLE WITH

- Special ballast
- Asymmetrical reflectors
- Motion sensor
- Wire guard
- Cord and plug

#### STR240-2-4R-E8

TEST NO.=LA-T0274  
 LAMP TYPE=F032/31K  
 NO. OF LAMP=2  
 LUMENS PER LAMP=2900  
 WATTS PER LAMP=32  
 BALLAST FACTOR=1  
 PHOTOMETRY TYPE=C



#### CANDLEPOWER

Angle	End	45	Cross
0	970	970	970
5	1011	997	955
15	938	989	999
25	911	973	1015
35	816	941	1027
45	703	852	956
55	563	759	903
65	419	652	827
75	279	529	674
85	164	358	471
90	78	233	347
95	76	303	442
105	47	276	443
115	26	214	360
125	7	156	271
135	1	92	190
145	0	39	101
155	0	5	30
165	0	0	0
175	0	0	0
180	0	0	0

#### ZONAL LUMEN SUMMARY

DEGREES	LUMENS	% LAMP	% FIXTURE
0-30	820	14.1	15.7
0-40	1405	24.2	26.8
0-60	2725	47.0	52.1
0-90	4226	72.9	80.8
90-120	768	13.2	14.7
90-130	900	15.5	17.2
90-150	1001	17.3	19.1
90-180	1006	17.3	19.2
0-180	5232	90.2	100.0

Luminaire Efficiency = 90.2%

#### SPACING CRITERION

ALONG	ACROSS
1.31	1.57



**LOS ANGELES LIGHTING MFG. CO.**

10141 OLNEY ST. / EL MONTE, CA 91731

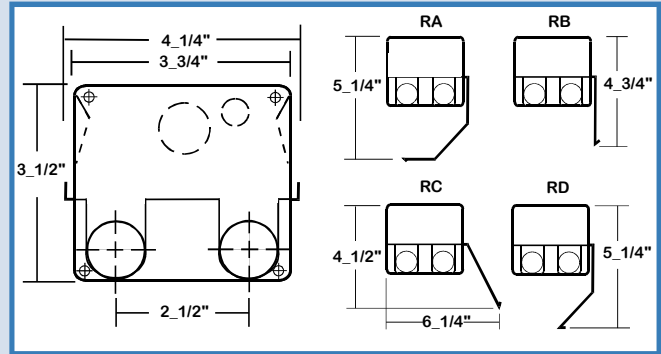
<http://www.lalighting.com>

TEL : 626-454-8300 FAX : 626-454-8399

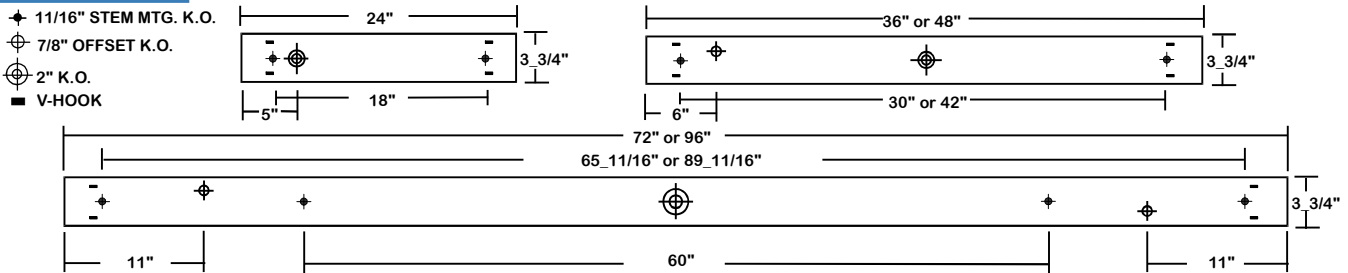
**OPEN COMMERCIAL**



**STR240 SERIES**



**BACK PLATE**

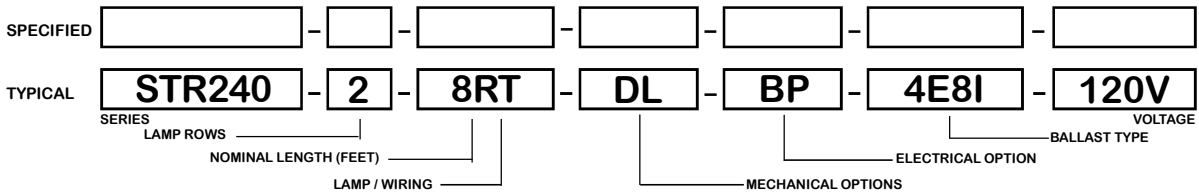


**CATALOG NUMBER**

NOMINAL LENGTH	TOTAL LAMPS	NOMINAL LENGTH	TOTAL LAMPS	NOMINAL LENGTH	TOTAL LAMPS	NOMINAL LENGTH	TOTAL LAMPS	
STR240-1-2M	2'	1	STR240-1-4RL	4'	1	STR240-2-2M	2'	2
STR240-1-3M	3'	1	STR240-1-4RH	4'	1	STR240-2-3M	3'	2
STR240-1-4M	4'	1	STR240-1-6RT	6'	2	STR240-2-4M	4'	2
STR240-1-6MT	6'	2	STR240-1-8RT	8'	2	STR240-2-6MT	6'	4
STR240-1-8MT	8'	2	STR240-1-4S	4'	1	STR240-2-8MT	8'	4
STR240-1-2TL	2'	1	STR240-1-6S	6'	1	STR240-2-2TL	2'	2
STR240-1-2TH	2'	1	STR240-1-8S	8'	1	STR240-2-2TH	2'	2
STR240-1-3RL	3'	1	STR240-1-12ST	12'	2	STR240-2-3R	3'	2
STR240-1-3RH	3'	1	STR240-1-16ST	16'	2	STR240-2-4R	4'	2
						STR240-2-6RT	6'	4
						STR240-2-8RT	8'	4
						STR240-2-4S	4'	2
						STR240-2-6S	6'	2
						STR240-2-8S	8'	2
						STR240-2-12ST	12'	4
						STR240-2-16ST	16'	4

Note: To Denote Specular Aluminum Reflector Add "SR" To Beginning Of Catalog Number.

**ORDERING GUIDE**



**OPTIONS and ACCESSORIES**

**BALLAST OPTIONS**

Electronic Ballasts T5	E5
Electronic Ballasts T5HO	E5H
Electronic Dimming T5HO Ballast	E5HDM
Electronic Ballasts T8	*
Electronic Ballasts T12	*
Energy Saving Ballast	ESB
Magnetic Dimming Ballast	MDM
Electronic Dimming Ballast	EDM
Digital Addressable Ballast	DAB

**PAGE REF-1**

**ELECTRICAL OPTIONS**

Emergency Battery Pack	*
External Line Fusing (HLR/GLR)	ELF
Radio Interference Filters	RIF
Plug-In Branch Wiring Connector System	PBW
6' 3Wire Cord + Plug (U-Ground)	CP3
Pull Switch	PS1

**PAGE REF-2**

**OPTICAL OPTIONS**

Asymmetrical Reflectors

**PAGE REF-3**

- RA
- RB
- RC
- RD

**MECHANICAL OPTIONS**

Damp Location	DL
Ceiling Spacers	CH-240
Couplings For Row Mounting	CMC-240
Wire Guards	WG
V-Hooks For Chain Mounting	V-4
Low Density	LD
Fixture Suspending System	*

**PAGE REF-4,5&6**

\*See Appropriate Reference Page

**SPECIFICATIONS**

- **TYPE**
- **CONSTRUCTION**
- **FINISH**
- **WIRING**
- **LABELS**

Open commercial luminaire for installation in commercial, industrial and mass merchandising applications.  
 22 ga. cold rolled steel housing. (20 ga. housing available as specified.) End plates are fastened to housing by sheet metal screws to assure rigidity.  
 Baked white polyester finish, minimum reflectance 86%. (Powder coated finish available.)  
 120v 60Hz., 277v 60Hz., UNV (universal voltage 120v thru 277v.) or as otherwise specified.  
 U.L. Listed.



Made in the U.S.A.