

# CUSTOM DESIGN

## LCD907

### High Bay Luminaire w/ Fixture Stabilizer & Quick Mtg. Adapter

1. TYPE : 4' 6-lamp high bay luminaire.
2. CONSTRUCTION : 20 ga. Paintlok® steel welded housing.
3. FINISH : Baked white powder coated finish, paint after fabrication.
4. REFLECTOR : SR - Enhanced aluminum reflectors, 95% reflectance . (Miro4)
5. MOUNTING: Quick mounting adapter and fixture stabilizer for single point mounting by 3/4" pipe.  
Two 15' grapple #2 "Y" toggle end seismic cables, mounted one at each end.
6. LAMP : Six 54w T5HO fluorescent lamps per fixture. (Optional).
7. EMERGENCY BALLAST : BP4 - Emergency battery pack, operates one lamp for 90 minutes, up to 1400 lumens per lamp. (Optional)
8. BALLAST : One 2-lamp and one 4-lamp 54w T5HO electronic ballasts per fixture.
9. LABELS : U.L. listed.

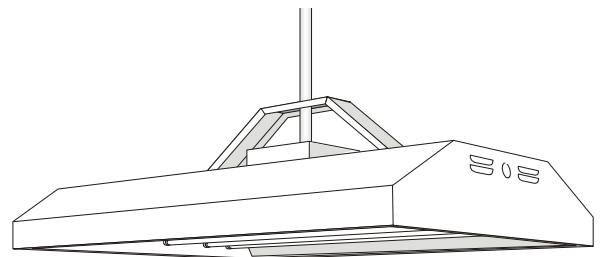
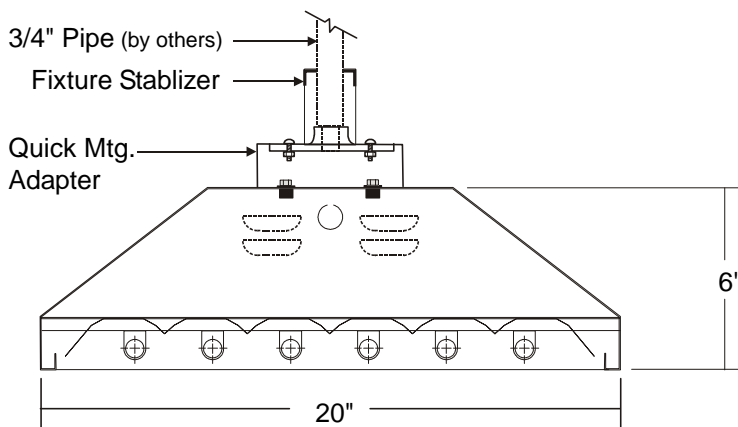
**NOTE:**

LCD907-6-4M-SR-2/4E5H-UNV

LCD907-6-4M-SR-BP4-2/4E5H-UNV



MADE IN THE U.S.A.



**LOS ANGELES LIGHTING MFG. CO.**

10141 OLNEY ST. / EL MONTE, CA 91731 <http://www.lalighting.com>

TEL : 626-454-8300 FAX : 626-454-8399

Warehouse PAGE 19.1

# BALLAST OPTIONS

PLEASE CONSULT FACTORY REGARDING ANY BALLASTS OR BALLAST OPTIONS NOT SHOWN.

**MAGNETIC RAPID START (430 MA)**  
 ESB Magnetic Energy Saving Ballasts With Full Light Output:  
 "SLH" - UNIVERSAL LTG. TECH.  
 "MIII" - ADVANCE  
 OCT Magnetic T8  
 0° Zero Degree Minimum Starting Temperature

**MAGNETIC SLIMLINE (430 MA)**  
 ESB Magnetic Energy Saving Ballasts With Full Light Output:  
 "SLH" - UNIVERSAL LTG. TECH.  
 "MIII" - ADVANCE  
 0° Zero Degree Minimum Starting Temperature

**ELECTRONIC COMPACT TWIN TUBE SUFFIX - EB**

TYPE OF LAMPS	# OF LAMPS	CAT. NO. SUFFIX
36/39 WATT	1	1EB36
36/39 WATT	2	2EB36
40 WATT	1	1EB40
40 WATT	2	2EB40
40 WATT	3	3EB40
40 WATT	3	1/2EB40
50 WATT	1	1EB50
50 WATT	2	2EB50
55 WATT	1	1EB55
55 WATT	2	2EB55

**MAGNETIC HIGH OUTPUT (800MA)**  
 ESB Magnetic Energy Saving Ballasts With Full Light Output:  
 "SLH" - UNIVERSAL LTG. TECH.  
 "MIII" - ADVANCE

**ELECTRONIC DIMMING SUFFIX - EDM**

Electronic ballasts manufactured by Advance Transformer and Lutron Electronics are compatible with specific dimming controls. Check with the ballast manufacturer for the compatibility of ballast and control. Either Advance Transformer or Lutron Electronics ballasts will be supplied as per customer specification.

NO. LAMPS / TYPE	VOLTAGE	ADVANCE TRANSFORMER	LUTRON ELECTRIC
1-32 T8	120	REZ-132-SC	ECO-T832-120-1
2-32 T8	120	REZ-2S32-SC	ECO-T832-120-2
3-32 T8	120	REZ-3S32-SC	ECO-T832-120-3
1-54 T5HO	120	REZ-154	
2-54 T5HO	120	REZ-2S54	
1-32 T8	277	VEZ-132-SC	ECO-T832-277-1
2-32 T8	277	VEZ-2S32-SC	ECO-T832-277-2
3-32 T8	277	VEZ-3S32-SC	ECO-T832-277-3
1-54 T5HO	277	VEZ-154	
2-54 T5HO	277	VEZ-2S54	
1-32 T8	UNV	IZT-132-SC	
2-32 T8	UNV	IZT-2S32-SC	
3-32 T8	UNV	IZT-3S32-SC	
4-32 T8	UNV	IZT-4S32-SC	

**ELECTRONIC BALLAST SUFFIX-E5, E8 or E12, Instant Start or Rapid Start**

TYPE OF LAMP	LAMP CIRCUIT	# OF LAMPS	BALLAST CONFIGURATION	CAT. NO. SUFFIX
ELECTRONIC T5 ELECTRONIC T5HO	PROGRAM RAPID START	1	One 1-Lamp Ballast	1E5 or 1E5H
		2	One 2-Lamp Ballast	2E5 or 2E5H
		3	One 1-Lamp+One 2-Lamp Ballast	1/2E5 or 1/2E5H
		3	One 3-Lamp Ballast	3E5 or 3E5H
		4	One 4-Lamp Ballast	4E5 or 4E5H
		6	One 2-Lamp+One 4-Lamp Ballast	2/4E5 or 2/4E5H
ELECTRONIC T8	INSTANT START	1	One 1-Lamp Ballast	1E8I
		2	One 2-Lamp Ballast	2E8I
		3	One 1-Lamp+One 2-Lamp Ballast	1/2E8I
		3	One 3-Lamp Ballast	3E8I
		4	One 4-Lamp Ballast	4E8I
	INSTANT START <10%	1	One 1-Lamp Ballast	1E8I10
		2	One 2-Lamp Ballast	2E8I10
		3	One 1-Lamp+One 2-Lamp Ballast	1/2E8I10
		3	One 3-Lamp Ballast	3E8I10
		4	One 4-Lamp Ballast	4E8I10
		6	One 2-Lamp+One 4-Lamp Ballast	2/4E8I10
	INSTANT START HIGH BALLAST FACTOR	1	One 1-Lamp Ballast	1E8IH
		2	One 2-Lamp Ballast	2E8IH
		3	One 3-Lamp Ballast	3E8IH
		3	One 1-Lamp+One 2-Lamp Ballast	1/2E8IH
		4	One 4-Lamp Ballast	4E8IH
		4	Two 2-Lamp Ballast	2E8IH
		6	Three 2-Lamp Ballast	2E8IH
	RAPID START	6	Two 3-Lamp Ballast	3E8IH
		1	One 1-Lamp Ballast	1E8R
		2	One 2-Lamp Ballast	2E8R
		3	One 1-Lamp+One 2-Lamp Ballast	1/2E8R
		3	One 3-Lamp Ballast	3E8R
		4	One 4-Lamp Ballast	4E8R
RAPID START < 10%		1	One 1-Lamp Ballast	1E8R10
		2	One 2-Lamp Ballast	2E8R10
	3	One 1-Lamp+One 2-Lamp Ballast	1/2E8R10	
	3	One 3-Lamp Ballast	3E8R10	
	4	One 4-Lamp Ballast	4E8R10	
INSTANT START INSTANT START <10% RAPID START RAPID START <10%	6	One 2-Lamp+One 4-Lamp Ballast	2/4E8I 2/4E8I10 2/4E8R 2/4E8R10	
	1	One 1-Lamp Ballast	1E12	
	2	One 2-Lamp Ballast	2E12	
	2	One 2-Lamp Ballast	2E12	