

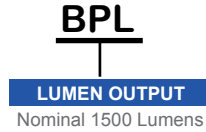


RESOURCES

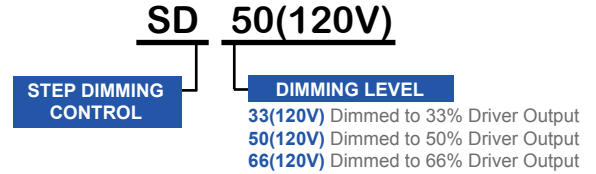
ELECTRICAL OPTIONS

Please consult factory regarding any questions or inquiries about electrical options

LED EMERGENCY BATTERY PACKS (Operate for 90 minutes)



LED STEP-DIMMING CONTROL FOR 120V ONLY



FLUORESCENT EMERGENCY BATTERY PACKS (Operate for 90 minutes)

BATTERY PACK AND LUMEN OUTPUT REFERENCE CHART

LAMP TYPE	# OF LAMP OPERATED	BP1 (500 Lumens)	BP3 (700 Lumens)	BP5 (1400 Lumens)	BP9 (1300 Lumens)	BP10 (3000 Lumens)
F17 T8	A 1-Lamp	350-450	500-750	700-1400	950	-
F17 T8	B 2-Lamp	-	500-750	700-1400	-	-
F25 T8	A 1-Lamp	350-500	500-750	1100-1400	950	2250
F25 T8	B 2-Lamp	-	500-750	1100-1400	-	-
F32 T8	A 1-Lamp	350-475	500-750	1100-1400	1100	3000
F32 T8	B 2-Lamp	-	500-750	1100-1400	-	-
F40 T8	A 1-Lamp	350-500	500-750	1100-1400	1125	3000
F96 T8	A 1-Lamp	-	400-750	1000-1400	-	3000
F40 T12	A 1-Lamp	-	400-750	1000-1400	1100	3000
F40 T12	B 2-Lamp	-	400-750	1000-1400	-	3000
F48 T12HO	A 1-Lamp	-	500-750	1000-1400	-	-
F96 T12	A 1-Lamp	-	500-750	1000-1400	-	2800
28W T5	A 1-Lamp	400-500	500-750	1000-1400	1050	1800
54W T5HO	A 1-Lamp	350-500	500-750	1100-1300	1300	2750
13W CF G24q-1	A 1-Lamp	350-500	400-750	700-1400	-	-
13W CF G24q-1	B 2-Lamp	-	400-750	700-1400	-	-
26W CF G24q-3	A 1-Lamp	350-500	500-750	1000-1400	-	-
26W CF G24q-3	B 2-Lamp	-	-	1000-1400	-	-
32W CF GX24q-3	A 1-Lamp	350-500	500-750	1000-1400	-	-
32W CF GX24q-3	B 2-Lamp	-	-	1000-1400	-	-
36W Compact Twin Tube	A 1-Lamp	350-450	500-750	1000-1400	1025	2850
40W Compact Twin Tube	A 1-Lamp	400-450	500-750	1000-1400	1025	1800
50W Compact Twin Tube	A 1-Lamp	-	500-750	1000-1400	1000	1800
55W Compact Twin Tube	A 1-Lamp	-	500-750	1000-1400	1000	1800

FILTERS & FUSES

SUFFIX	DESCRIPTION
RIF	Shunts Radio Frequency Line Noise To Ground
ELF	External Line Fusing, 3.0 Amp Slow Blow

FLUORESCENT NIGHT LIGHT RECEPTACLE

Note: Lamp not included.

SUFFIX	LAMP TYPE	WATTS	LUMENS	VOLTAGE	LAMP LIFE
NL9(120V)	PL7 (120V)	7	400	120	10,000 HRS
	PL9 (120V)	9	600	120	
NL9(277V)	PL7 (277V)	7	400	277	
	PL9 (277V)	9	600	277	
NL13(120V) NL13(277V)	PL13 (120V)	13	900	120	
	PL13 (277V)	13	900	277	



Los Angeles Lighting Mfg. Co.

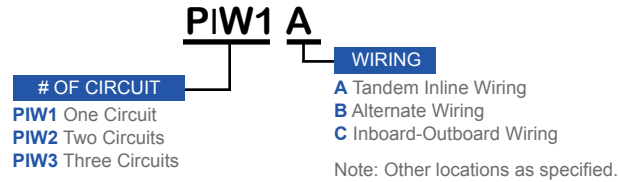
Headquarters
 10141 Olney Street
 El Monte, CA 91731
 Made in the USA

Contact Us
 T: 626-454-8300
 F: 626-454-8399
 www.lalighting.com

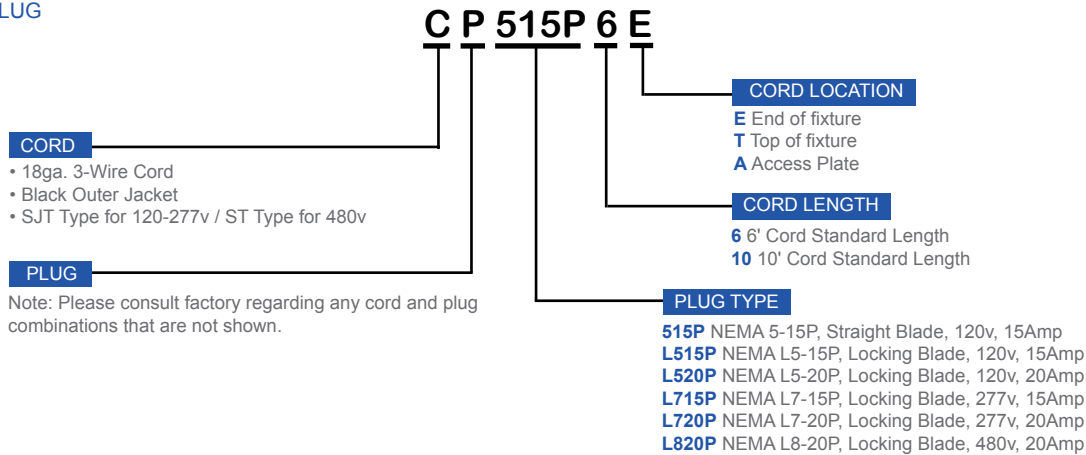
Due to continued product improvements and enhancements, Los Angeles Lighting Manufacturing Company reserves the right to alter specifications, dimensions, data, and/or materials without notice. Please visit our website to view the most current information.

PLUG-IN BRANCH WIRING CONNECTOR SYSTEM

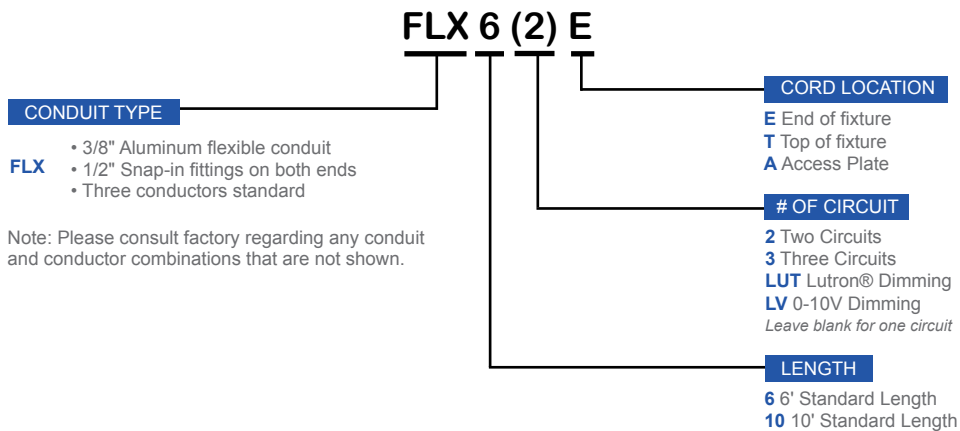
- For wiring lighting fixtures through fixture channel in single or multiple circuits by means of terminal disconnect plugs
- 12 ga. wire supplied
- Specific configurations for multiple circuits supplied as specified



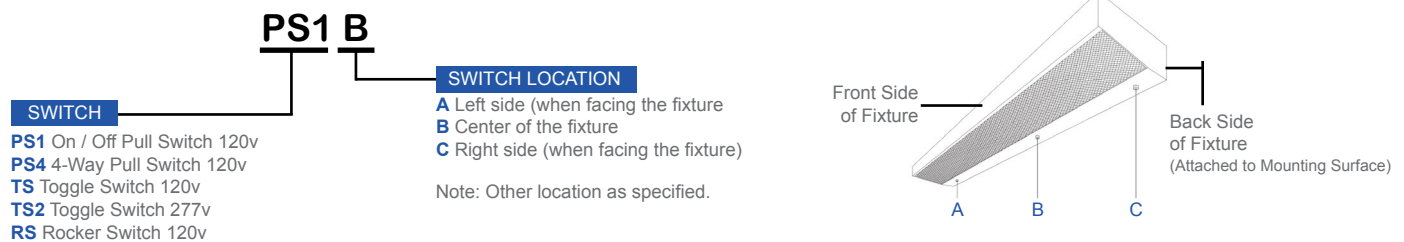
CORD & PLUG



CONDUIT



SWITCHES



Los Angeles Lighting Mfg. Co.
 Headquarters
 10141 Olney Street
 El Monte, CA 91731
 Made in the USA

Contact Us
 T: 626-454-8300
 F: 626-454-8399
 www.lalighting.com

Due to continued product improvements and enhancements, Los Angeles Lighting Manufacturing Company reserves the right to alter specifications, dimensions, data, and/or materials without notice. Please visit our website to view the most current information.