



ARCHITECTURAL

ICL109 SERIES Indirect Cove Luminaire



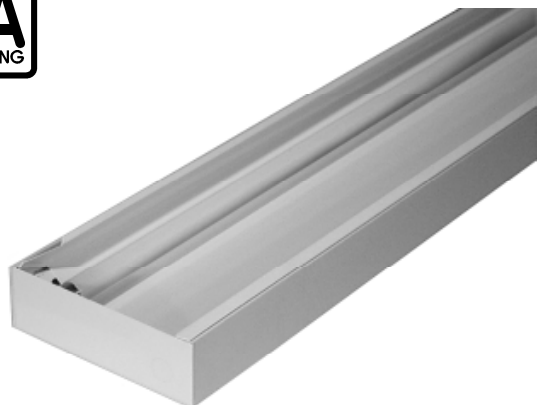
- T8 / BIAX® 1-Lamp Indirect Cove Luminaire
- Low Profile
- Welded And Painted After Fabrication
- Available with:
 - Fluorescent, LED and LED T8 (Internally Driven)
 - 95% Enhanced Specular Aluminum Reflector
 - Emergency Battery Pack



Photometric Data and IES Files are Available on www.lalighting.com

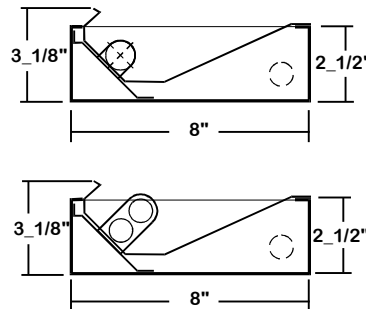


LOS ANGELES LIGHTING MFG. CO.
 10141 OLNEY ST. / EL MONTE, CA 91731
 TEL : 626-454-8300 FAX : 626-454-8399
www.lalighting.com



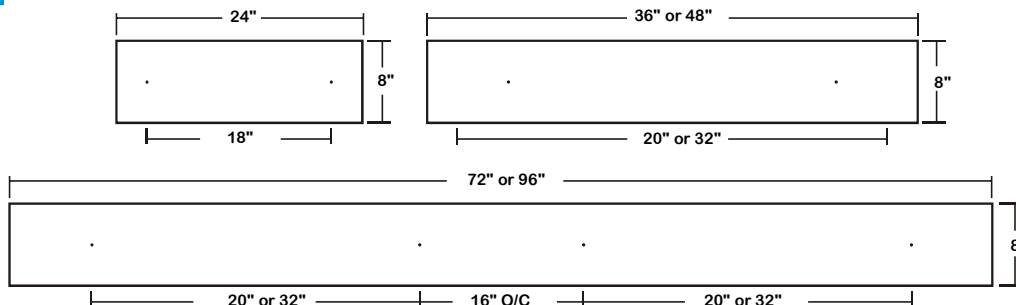
ICL109 SERIES

CROSS SECTION



BACK PLATE

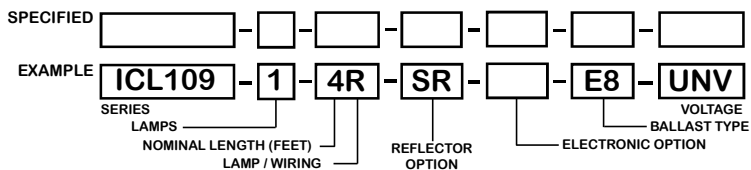
- 3/16" MTG. HOLE



CATALOG NUMBER

	NOMINAL LENGTH	TOTAL LAMPS		NOMINAL LENGTH	TOTAL LAMPS
ICL109-1-2R	2'	1	ICL109-1-2B	2'	1
ICL109-1-3R	3'	1	ICL109-1-3BT	3'	2
ICL109-1-4R	4'	1	ICL109-1-4BT	4'	2
ICL109-1-6RT	6'	2	ICL109-1-6BT	6'	4
ICL109-1-8RT	8'	2	ICL109-1-8BT	8'	4

ORDERING GUIDE



NOTE: LAMP/WIRING*

- R= Medium Bi-Pin T8
- RT= Medium Bi-Pin T8, Tandem Wiring
- B= Compact Twin Tube
- BT= Compact Twin Tube, Tandem Wiring

OPTIONS AND ACCESSORIES

REFLECTOR OPTIONS	SUFFIX	ELECTRICAL OPTIONS	SUFFIX	BALLAST OPTIONS	SUFFIX
Specular Aluminum Reflector (95%)	SR	Emergency Battery Pack	BP*	Electronic Ballast T8	E8*
White Aluminum Reflector (90%)	WR	External Line Fusing (HLR/GLR)	ELF	Electronic T8 Step Dimming	E8SD
		Plug-In Branch Wiring Connector System	*	Electronic 39W Compact Twin Tube (Only For 3' and 6')	EB39
				Electronic 40W Compact Twin Tube	EB40
				Electronic 50W Compact Twin Tube	EB50
				Electronic 55W Compact Twin Tube	EB55

*See Appropriate Reference Page

SPECIFICATIONS

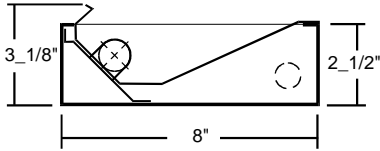
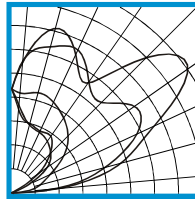
- **TYPE** One-light indirect cove light. Designed to distribute light in an even wash across a surface.
- **CONSTRUCTION** 20 ga. cold rolled steel welded housing.
- **FINISH** Baked white powder coated finish, minimum reflectance 90%, painted after fabrication.
- **REFLECTOR** One piece reflector/wireway cover fastened to housing by quarter-turn fastener.
SR - 95% reflectance enhanced aluminum reflector standard. WR - 90% high reflectance white aluminum reflector available.
- **WIRING** 120v 60Hz., 277v 60Hz., UNV (universal voltage 120v thru 277v.) or as otherwise specified.
- **LABELS** U.L. Listed. Suitable for damp locations.



PHOTOMETRIC DATA

ICL109-1-4R-SR-E8

TEST NO.=LA-T0637
 LAMP TYPE=FO32/31K
 NO. OF LAMP=1
 LUMENS PER LAMP=2900
 WATTS PER LAMP=32
 BALLAST FACTOR=1
 PHOTOMETRY TYPE=C



CANDLEPOWER

ANGLE	0	45	90	135	180
0	0	0	0	0	0
5	0	0	0	0	0
15	0	0	0	0	0
25	0	0	0	0	0
35	0	0	0	0	0
45	0	0	0	0	0
55	0	0	0	0	0
65	0	0	0	0	0
75	0	0	0	0	0
85	0	0	0	0	0
90	54	38	8	0	0
95	259	234	71	1	0
105	620	530	160	9	1
115	864	760	231	90	2
125	1187	829	348	235	170
135	1054	704	439	303	296
145	738	742	500	343	377
155	837	867	548	365	374
165	938	833	570	384	392
175	730	734	551	489	454
180	571	571	571	571	571

ZONAL LUMEN SUMMARY

DEGREES	LUMENS	% LAMP	% FIXTURE
0-30	0	0.0	0.0
0-40	0	0.0	0.0
0-60	0	0.0	0.0
0-90	5	0.2	0.2
90-120	737	25.4	29.9
90-150	1952	67.3	79.2
90-180	2458	84.8	99.8
0-180	2464	85.0	100.0

Lumen Output = 2464 lumens
 Luminaire Efficiency = 85.0%

This space is intentionally left blank.

This space is intentionally left blank.

This space is intentionally left blank.

