



ARCHITECTURAL

ICL309 SERIES Indirect Cove Luminaire



- T5 / T5HO, 1 or 2-Lamp Indirect Cove Luminaire
- Compact Housing / Ultra Low Profile
- Welded And Painted After Fabrication
- Available with:
 - 95% Enhanced Specular Aluminum Reflector
 - Emergency Battery Pack



Photometric Data and IES Files are Available on www.lalighting.com

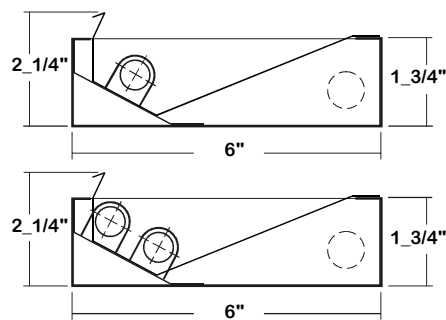


LOS ANGELES LIGHTING MFG. CO.
 10141 OLNEY ST. / EL MONTE, CA 91731
TEL : 626-454-8300 FAX : 626-454-8399
www.lalighting.com



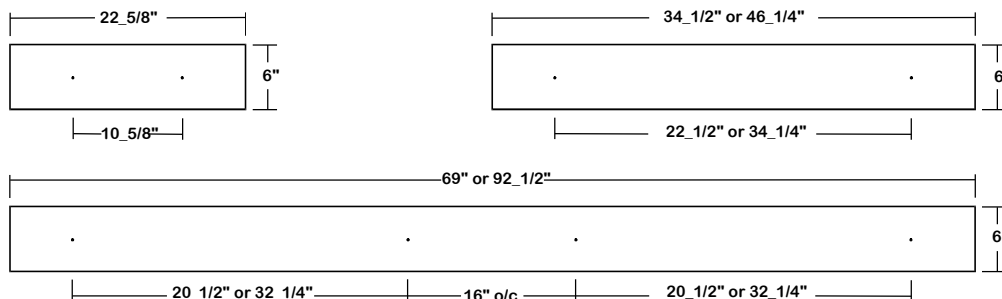
ICL309 SERIES

CROSS SECTION



BACK PLATE

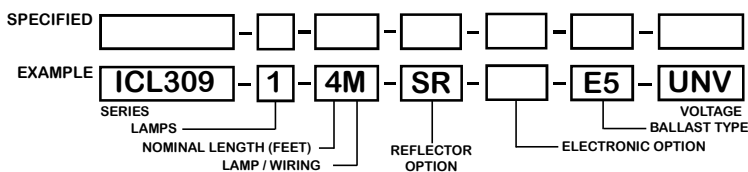
• 3/16" MTG. HOLE



CATALOG NUMBER

	NOMINAL LENGTH	TOTAL LAMPS		NOMINAL LENGTH	TOTAL LAMPS
ICL309-1-2M	2'	1	ICL309-2-2M	2'	2
ICL309-1-3M	3'	1	ICL309-2-3M	3'	2
ICL309-1-4M	4'	1	ICL309-2-4M	4'	2
ICL309-1-6MT	6'	2	ICL309-2-6MT	6'	4
ICL309-1-8MT	8'	2	ICL309-2-8MT	8'	4

ORDERING GUIDE



NOTE: LAMP/WIRING*
 M= Medium Bi-Pin T5
 MT= Medium Bi-Pin T5, Tandem Wiring

OPTIONS AND ACCESSORIES

REFLECTOR OPTIONS	SUFFIX	ELECTRICAL OPTIONS	SUFFIX	BALLAST OPTIONS	SUFFIX
Specular Aluminum Reflector (95%)	SR	Emergency Battery Pack	BP*	Electronic Ballast T5	E5*
White Aluminum Reflector (90%)	WR	External Line Fusing (HLR/GLR)	ELF	Electronic Ballast T5HO	E5H*
		Plug-In Branch Wiring Connector System	*		

*See Appropriate Reference Page

SPECIFICATIONS

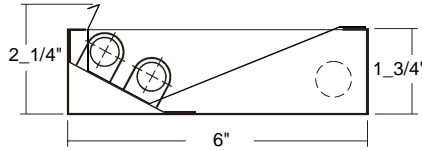
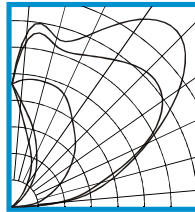
- **TYPE** Miniature indirect cove light. Designed to distribute light in an even wash across a surface.
- **CONSTRUCTION** 20 ga. cold rolled steel welded housing.
- **FINISH** Baked white powder coated finish, minimum reflectance 90%, painted after fabrication.
- **REFLECTOR** One piece reflector/wireway cover fastened to housing by quarter-turn fastener.
 SR - 95% reflectance enhanced aluminum reflector standard. WR - 90% high reflectance white aluminum reflector available.
- **WIRING** 120v 60Hz., 277v 60Hz., UNV (universal voltage 120v thru 277v.) or as otherwise specified.
- **LABELS** U.L. Listed. Suitable for damp locations.



PHOTOMETRIC DATA

ICL309-2-4M-SR-E5

TEST NO.=LA-T0847
 LAMP TYPE=F28T5
 NO. OF LAMP=2
 LUMENS PER LAMP=2900
 WATTS PER LAMP=28
 BALLAST FACTOR=1
 PHOTOMETRY TYPE=C



CANDLEPOWER

ANGLE	0	45	90	135	180
0	0	0	0	0	0
5	0	0	0	0	0
15	0	0	0	0	0
25	0	0	0	0	0
35	0	0	0	0	0
45	0	0	0	0	0
55	0	0	0	0	0
65	0	1	0	0	0
75	0	1	1	0	0
85	0	2	1	0	0
90	121	92	22	0	0
95	461	420	150	1	0
105	927	829	320	2	1
115	1357	1329	481	13	1
125	1856	1673	654	68	2
135	2179	1734	816	194	68
145	2084	1630	959	369	222
155	1740	1525	1125	531	418
165	1586	1521	1173	740	598
175	1593	1512	1158	963	883
180	1118	1118	1118	1118	1118

ZONAL LUMEN SUMMARY

DEGREES	LUMENS	% LAMP	% FIXTURE
0-30	0	0.0	0.0
0-40	0	0.0	0.0
0-60	0	0.0	0.0
0-90	13	0.2	0.3
90-120	1224	21.1	28.4
90-150	3364	58.0	78.1
90-180	4293	74.0	99.7
0-180	4306	74.2	100.0

Lumen Output = 4306 lumens
 Luminaire Efficiency = 74.2%

This space is intentionally left blank.

This space is intentionally left blank.

This space is intentionally left blank.

