

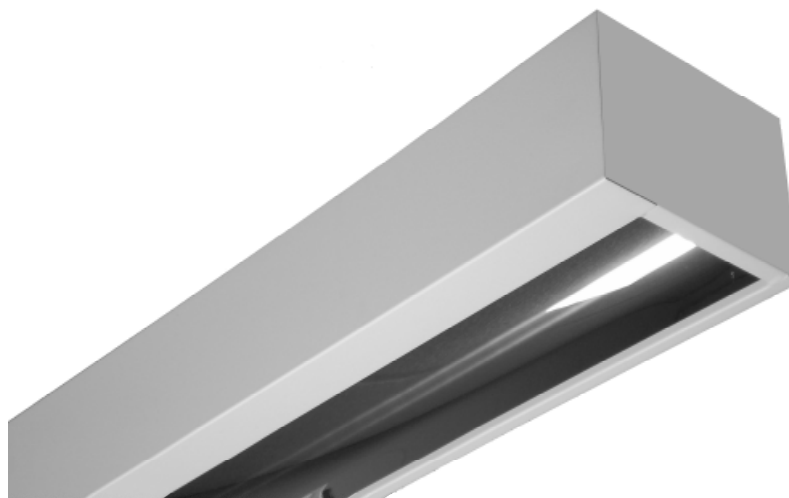


ARCHITECTURAL

MWW206 SERIES



Surface Mounted Wall Wash Luminaire



- Surface Mounted Wall Wash Luminaire
- One Lamp 28WT5 / 54WT5HO / 32WT8
- Welded And Painted After Fabrication
- Suitable for Damp Locations
- Available with:
 - Fluorescent, LED and LED T8 (Internally Driven)
 - 95% Enhanced Specular Aluminum Reflector
 - Emergency Battery Pack



Photometric Data and IES Files are Available on www.lalighting.com



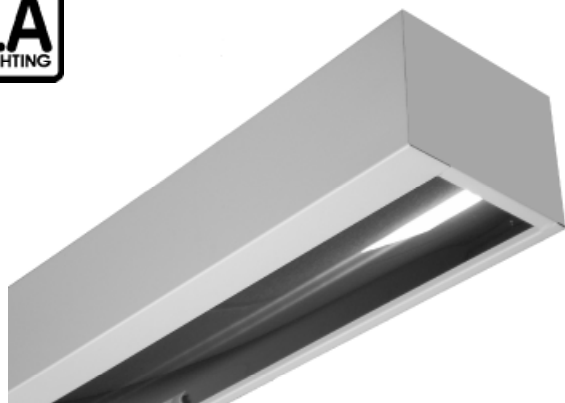
LOS ANGELES LIGHTING MFG. CO.

10141 OLNEY ST. / EL MONTE, CA 91731

TEL : 626-454-8300 FAX : 626-454-8399

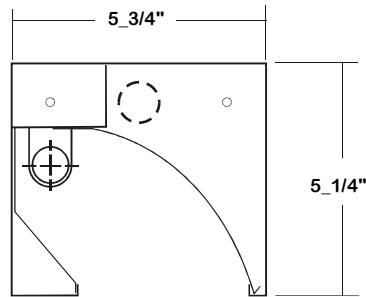
www.lalighting.com

ARCHITECTURAL - LED T8 (Internally Driven)



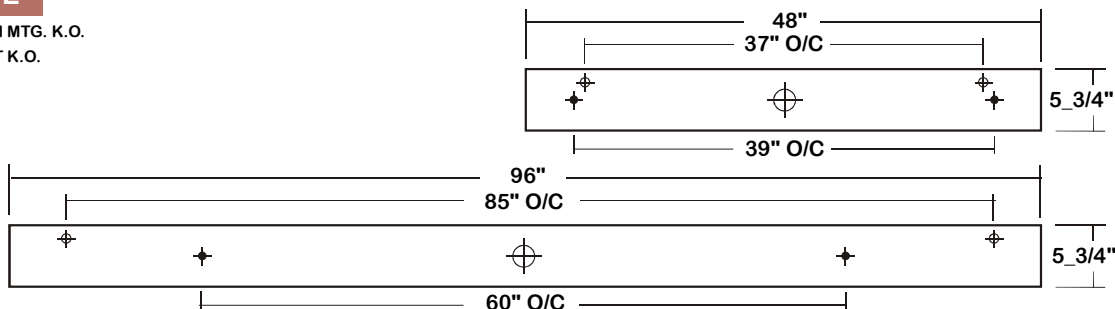
MWW206 SERIES - LED

CROSS SECTION



BACK PLATE

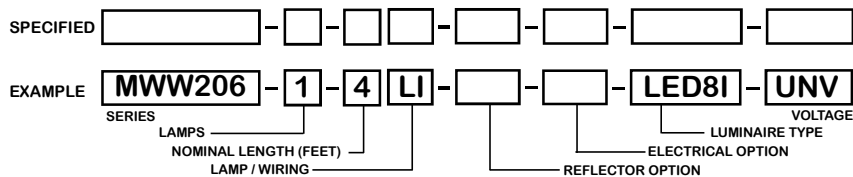
- ◆ 11/16" STEM MTG. K.O.
- ⊕ 7/8" OFFSET K.O.
- ⊕ 2" K.O.



CATALOG NUMBER

	NOMINAL LENGTH	TOTAL MODULES
MWW206-1-4Lx	4'	1
MWW206-1-8LxT	8'	2

ORDERING GUIDE



TS2 - LED Luminaire On/Off Safety Switch



- Easily accessible on exterior of wire way.
- Allows individual fixture to be switched ON/OFF during re-lamping or Maintenance.
- Prevents damage to lamp and electrical shock during lamping and re-lamping.
- Allows safe entry to wire way channel where power connector can be disconnected for maintenance to fixture.

LAMP / WIRING

LI = LED T8 internal driver light tube.
Both ends powered.
Shunted sockets used.



LR = LED T8 internal driver light tube.
Single end powered.
Non-shunted sockets used.



OPTIONS AND ACCESSORIES

REFLECTOR OPTIONS

- Specular Aluminum Reflector (95%)
- White Aluminum Reflector (90%)

SUFFIX
SR
WR

ELECTRICAL OPTIONS

- LED Luminaire ON/OFF Safety Switch

SUFFIX
TS2

SPECIFICATIONS

- TYPE
- CONSTRUCTION
- FINISH
- REFLECTOR
- WIRING
- LABELS

Surface mounted, metal sided wall wash luminaire for LED T8 internal driver light tube(s)**.
20 ga. cold rolled steel welded housing.
Back white powder coated finish, minimum reflectance 90%, painted after fabrication.
Specular aluminum reflector standard, 95% reflectance. (White aluminum reflector available)
Operated LED T8 internal driver light tube(s)**.
Suitable for damp locations.

** Lamp(s) by others.

