



BAYLIGHTER®

LED

GBL220 (2X2, 2X4) SERIES

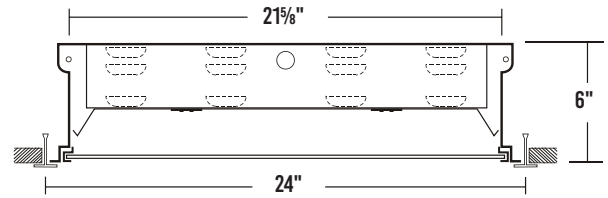
RECESSED HIGH BAY LUMINAIRE

JOB	
TYPE	
DATE	

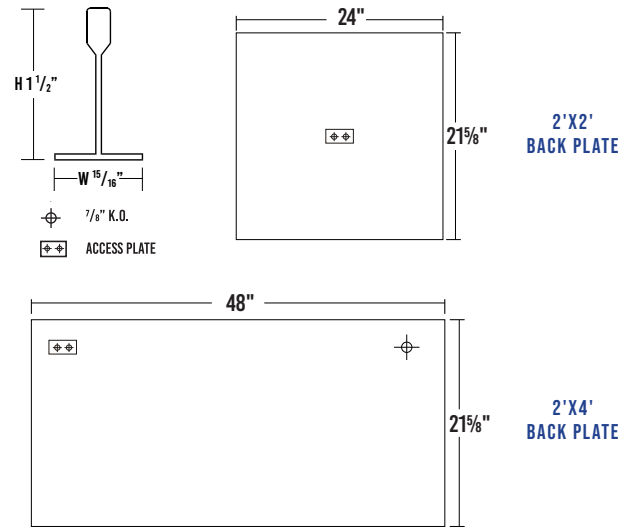
LALIGHTING.COM 626-454-8300

RECESSED MOUNTED HIGH BAY LED LUMINAIRE FOR INVERTED T-BAR CEILINGS

DIMENSIONS



T-BAR DIMENSIONS



SPECIFICATIONS

CONSTRUCTION

- 22 gauge cold-rolled steel housing with louvered vents for heat removal (20 gauge housing available as specified)
- 20 gauge cold-rolled steel door frame (extruded aluminum finishes available) secured by T-hinges and positive spring loaded latches
- One-way polyurethane gasket standard

FINISH

- Baked white polyester finish
- Minimum reflectance 86%
- Door frame - powder coated finish / painted after fabrication

OPTICAL

- Clear prismatic acrylic lens standard

ELECTRICAL

- High-efficiency drivers coupled with long-life LEDs
- Service life tested at 50,000 hours (L70)
- Universal voltage 120V through 277V (347V / 480V available)
- Power Factor (PF) ≥ 0.9
- Total Harmonic Distortion (THD) $\leq 20\%$

LISTING

- UL USA and Canada listed / suitable for damp locations

WARRANTY

- 5-Year limited warranty, 10-Year limited warranty available

APPLICATIONS

- Auditorium, Warehouse

FEATURES

- High (HT) ambient temperature LEDs
- 0-10V Dimming driver standard
- Supports California Title 24 compliance
- Safety cables attached to door frame and LED gear tray

OPTIONS CONTACT CUSTOMER SERVICE FOR ADDITIONAL OPTIONS

- Controls
- Custom housing colors
- Emergency battery pack
- Customization available upon request



Los Angeles Lighting Mfg. Co.
 Contact Us
 T: 626-454-8300 10141 Olney Street
 F: 626-454-8399 El Monte, CA 91731
 www.lalighting.com Made in the USA



Due to continued product improvements and enhancements, Los Angeles Lighting Manufacturing Company reserves the right to alter specifications, dimensions, data, and/or materials without notice. Please visit our website to view the most current information.

© 2022 LOS ANGELES LIGHTING MANUFACTURING CO. ALL RIGHTS RESERVED.

Revised: 07/11/2024



ORDERING INFORMATION

ADDITIONAL OPTIONS AVAILABLE. VISIT WWW.LALIGHTING.COM/RESOURCES FOR MORE INFORMATION

EXAMPLE: GBL220-16-2L-FSW-PA-BPL1.5-DRDM-UNV-2/850HT

SERIES	NOMINAL LED LUMENS	NOMINAL LENGTH	DOOR FRAME	OPTICAL	CONTROLS	ELECTRICAL	DRIVER	VOLTAGE	# OF LED ROWS	CRI / CCT	AMBIENT TEMP.
GBL220							DRDM	UNV			HT
GBL220 • High Bay Grid LED Luminaire	2x2 8 - 8000lm 12 - 12000lm 16 - 16000lm 20 - 20000lm 24 - 24000lm	2L • 2ft	FSW • Flat Steel White Enamel FAW • Flat Extruded Aluminum White Enamel RAW • 5/8" Regressed Extruded Aluminum White Enamel	PA • Clear Prismatic Acrylic PA2 • Clear Prismatic Acrylic Nom. 0.125 FPA2 • Frosted Prismatic Acrylic Nom. 0.125 FFWA • Flat Frosted White Acrylic Additional Optical Options	MSH • Motion Sensor High Frequency (Microwave) MSHSD • Motion Sensor High Frequency Step Dimming (Microwave) WLC(xx) • Wireless Control *Leave blank if not specified	BPL1.5 • 1500lm Emergency Battery Pack BPL3.0 • 3000lm Emergency Battery Pack *Leave blank if not specified	DRDM • 0-10V Dimming Driver	UNV • 120V - 277V 120V • 120 Volt 277V • 277 Volt 347V • 347 Volt 480V • 480 Volt	2x2 2 • 2 LED Rows 8000lm 12000lm 16000lm	830 • 80+CRI / 3000K 835 • 80+CRI / 3500K 840 • 80+CRI / 4000K 850 • 80+CRI / 5000K Contact customer service for additional CRI/CCT packages	HT • High Ambient Temp.
	2x4 12 - 12000lm 16 - 16000lm 24 - 24000lm 30 - 30000lm 36 - 36000lm	4L • 4ft							2x4 2 • 2 LED Rows 12000lm 16000lm 24000lm		
	Contact customer service for additional lumen packages								3 • 3 LED Rows 30000lm 36000lm		

Standard options for GBL220 shown above. For additional options, including lumen packages, controls, lenses, switches, finishes, and more, visit www.lalighting.com/resources or contact customer service.

SYSTEM DATA

ADDITIONAL LUMEN PACKAGES AVAILABLE. CONTACT CUSTOMER SERVICE FOR MORE INFORMATION

2'x2' LED LUMEN PACKAGE	HIGH AMBIENT TEMPERATURE PRODUCT CODE	DELIVERED LUMENS	SYSTEM WATTS	LUMINAIRE EFFICACY	AMBIENT TEMP.	FLUORESCENT EQUIVALENT	IES FILES
8000 Lumens (Nominal)	GBL220-8-2L-FSW-PA-DRDM-UNV-2/850HT	6462	48.3	133.7 lm/W	-30°C / 50°C (-22°F / 113°F)	1-F17T8	*
12000 Lumens (Nominal)	GBL220-12-2L-FSW-PA-DRDM-UNV-2/850HT	9529	75.3	126.5 lm/W	-30°C / 50°C (-22°F / 113°F)	2-F17T8 1-F24T5HO	*
16000 Lumens (Nominal)	GBL220-16-2L-FSW-PA-DRDM-UNV-2/850HT	12677	99.5	127.3 lm/W	-30°C / 50°C (-22°F / 113°F)	3-F17T8	Download
20000 Lumens (Nominal)	GBL220-20-2L-FSW-PA-DRDM-UNV-4/850HT	16167	122.2	132.2 lm/W	-30°C / 50°C (-22°F / 113°F)	4-F17T8 2-F24T5HO	Download
24000 Lumens (Nominal)	GBL220-24-2L-FSW-PA-DRDM-UNV-4/850HT	19199	149.6	128.3 lm/W	-30°C / 50°C (-22°F / 113°F)	4-F17T8 2-F24T5HO	*

2'x4' - LED LUMEN PACKAGE	HIGH AMBIENT TEMPERATURE PRODUCT CODE	DELIVERED LUMENS	SYSTEM WATTS	LUMINAIRE EFFICACY	AMBIENT TEMP.	FLUORESCENT EQUIVALENT	IES FILES
12000 Lumens (Nominal)	GBL220-12-4L-FSW-PA-DRDM-UNV-2/850HT	9700	68.7	141.1 lm/W	-30°C / 50°C (-22°F / 113°F)	4-F17T8 2-F24T5HO	*
16000 Lumens (Nominal)	GBL220-16-4L-FSW-PA-DRDM-UNV-2/850HT	12941	95.0	136.1 lm/W	-30°C / 50°C (-22°F / 113°F)	6-F54T5HO 400W MH	*
24000 Lumens (Nominal)	GBL220-24-4L-FSW-PA-DRDM-UNV-2/850HT	19081	149.6	127.5 lm/W	-30°C / 50°C (-22°F / 113°F)	6-F54T5HO 400W MH	Download
30000 Lumens (Nominal)	GBL220-30-4L-FSW-PA-DRDM-UNV-3/850HT	24103	184.5	130.6 lm/W	-30°C / 45°C (-22°F / 113°F)	6-F54T5HO 400W MH	*
36000 Lumens (Nominal)	GBL220-36-4L-FSW-PA-DRDM-UNV-3/850HT	28623	223.1	128.2 lm/W	-30°C / 40°C (-22°F / 113°F)	6-F54T5HO 400W MH	*

NOTE:
 System data is based on 120V input voltage. Actual performance may differ as a result of end-user environment and application.
 This fixture has been tested and listed in accordance with UL Standards. L.A. Lighting certifies that it will operate safely when installed properly, and within an ambient temperature range noted in the system data table.
 Additional lumen packages and color temperatures available.



Los Angeles Lighting Mfg. Co.
 Contact Us
 T: 626-454-8300
 F: 626-454-8399
www.lalighting.com
 10141 Olney Street
 El Monte, CA 91731
 Made in the USA



Due to continued product improvements and enhancements, Los Angeles Lighting Manufacturing Company reserves the right to alter specifications, dimensions, data, and/or materials without notice. Please visit our website to view the most current information.

© 2022 LOS ANGELES LIGHTING MANUFACTURING CO. ALL RIGHTS RESERVED.

Revised: 07/11/2024



MADE IN THE USA
 BAA Compliant

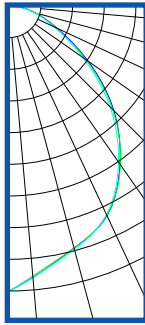
SYSTEM DATA

ADDITIONAL LUMEN PACKAGES AVAILABLE. CONTACT CUSTOMER SERVICE FOR MORE INFORMATION

PHOTOMETRIC DATA

GBL220-24-4L-FSW-PA-DRDM-UNV-2/840
 TEST NO. = LA-T3621
 LED TYPE = 48 LED MODULE
 NO. OF MODULE = 4
 SYSTEM WATT (W) = 149.6
 CRI ≥ 80
 L70(Hrs.) ≥ 50,000
 PHOTOMETRY TYPE = C

SPACING CRITERION	
ALONG	ACROSS
1.12	1.11



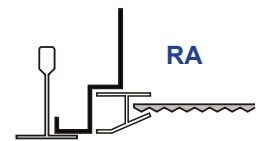
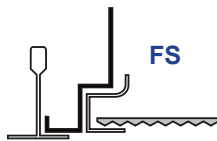
ZONAL LUMEN SUMMARY			
DEGREES	LUMENS	% LAMP	% FIXTURE
0-30	6405	26.6	33.6
0-40	10210	42.4	53.5
0-60	16386	68.1	85.8
0-90	19084	79.3	100.0
90-120	5.3	0.0	0.0
90-150	5.3	0.0	0.0
90-180	5.3	0.0	0.0
0-180	19089	79.3	100.0

Luminaire Output = 19088.83 lumens
 Luminaire Efficacy = 127.60 lm/W
 Luminaire Efficiency = 79.33%

DOOR FRAME OPTIONS

DOOR FRAME CROSS SECTION

- FINISHES**
- W - White Enamel
- B - Black Enamel
- N - Natural Aluminum
- STYLES**
- FS - Flat Steel
- FA - Flat Extruded Aluminum
- RA - 5/8" Regressed Extruded Aluminum



OPTICAL OPTIONS

ADDITIONAL LENSES AVAILABLE. VISIT WWW.LALIGHTING.COM/RESOURCES FOR MORE INFORMATION

STANDARD EXTRUDED PRISMATIC PATTERNS

PA	Clear Prismatic Acrylic, No Thickness Specified, Female Prisms 3/16 Square Base, Pattern 12
PA2	Clear Prismatic Acrylic, Nom. 0.125 OA Thickness, Female Prisms 3/16 Square Base, Pattern 12
FPA2	Frosted Prismatic Acrylic, Nom. 0.125 OA Thickness, Female Prisms 3/16 Square Base, Pattern 12
FFWA	Flat Frosted White Acrylic, No Thickness Specified

For additional lens options please visit www.lalighting.com/resources



Los Angeles Lighting Mfg. Co.
 Contact Us
 T: 626-454-8300
 F: 626-454-8399
www.lalighting.com
 10141 Olney Street
 El Monte, CA 91731
 Made in the USA



Due to continued product improvements and enhancements, Los Angeles Lighting Manufacturing Company reserves the right to alter specifications, dimensions, data, and/or materials without notice. Please visit our website to view the most current information.

© 2022 LOS ANGELES LIGHTING MANUFACTURING CO. ALL RIGHTS RESERVED.

Revised: 07/11/2024

