

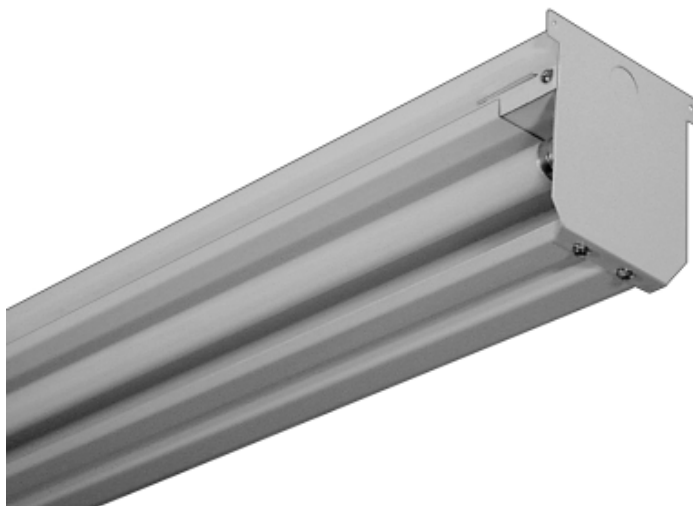


OPEN COMMERCIAL

AGS240 SERIES



Antenna Guard Strip Luminaire



- Antenna Guard Strip Luminaire
- 22 Ga. Cold Rolled Steel Housing
- Baked White Polyester Finish
- Screw-On End Caps
- Cover Secured by Two Quarter turn Fasteners
- Suitable for Damp Locations
- Available with:
 - Fluorescent, LED and LED T8 (Internally Driven)
 - Emergency Battery Pack
 - Switch
 - 14 Ga. Wire Guard



Photometric Data and IES Files are Available on www.lalighting.com

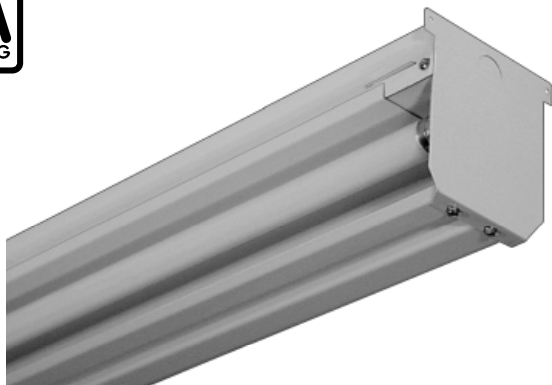


LOS ANGELES LIGHTING MFG. CO.

10141 OLNEY ST. / EL MONTE, CA 91731

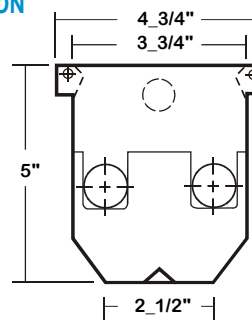
TEL : 626-454-8300 FAX : 626-454-8399

www.lalighting.com



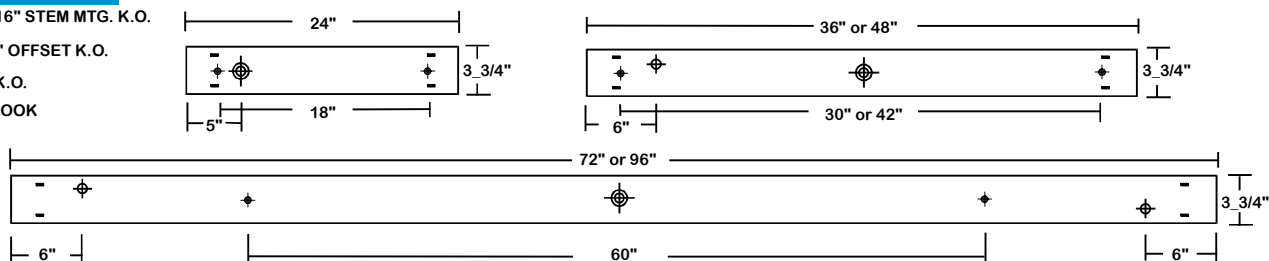
AGS240 SERIES

CROSS SECTION



BACK PLATE

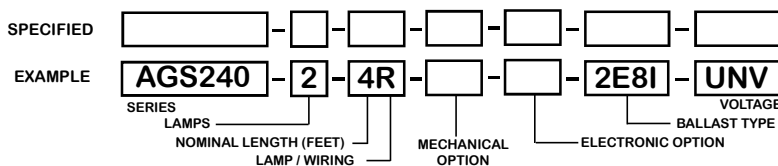
- ◆ 11/16" STEM MTG. K.O.
- ⊕ 7/8" OFFSET K.O.
- ⊕ 2" K.O.
- V-HOOK



CATALOG NUMBER

	NOMINAL LENGTH	TOTAL LAMPS		NOMINAL LENGTH	TOTAL LAMPS		NOMINAL LENGTH	TOTAL LAMPS		NOMINAL LENGTH	TOTAL LAMPS
AGS240-1-4M	4'	1	AGS240-1-4R	4'	1	AGS240-2-4M	4'	2	AGS240-2-4S	4'	2
AGS240-1-6MT	6'	2	AGS240-1-6RT	6'	2	AGS240-2-6MT	6'	4	AGS240-2-6S	6'	2
AGS240-1-8MT	8'	2	AGS240-1-8RT	8'	2	AGS240-2-8MT	8'	4	AGS240-2-8S	8'	2
AGS240-1-4H	4'	1	AGS240-1-4S	4'	1	AGS240-2-4R	4'	2	AGS240-2-4H	4'	2
AGS240-1-6H	6'	1	AGS240-1-6S	6'	1	AGS240-2-6RT	6'	4	AGS240-2-6H	6'	2
AGS240-1-8H	8'	1	AGS240-1-8S	8'	1	AGS240-2-8RT	8'	4	AGS240-2-8H	8'	2
AGS240-1-16HT	16'	2	AGS240-1-16ST	16'	2						

ORDERING GUIDE



NOTE: LAMP/WIRING*

- M = Medium Bi-Pin T5
- R = Medium Bi-Pin T8
- S = Slimline
- H = High Output (800MA)
- MT = Medium Bi-Pin T5, Tandem Wiring
- RT = Medium Bi-Pin T8, Tandem Wiring
- ST = Slimline, Tandem Wiring
- HT = High Output, Tandem Wiring

OPTIONS AND ACCESSORIES

MECHANICAL OPTIONS

Low Density

ELECTRICAL OPTIONS

- Emergency Battery Pack
- External Line Fusing (HLR/GLR)
- Radio Interference Filters
- Plug-In Branch Wiring Connector System
- Switch

SUFFIX

- LD
- BP*
- ELF
- RIF
- PIW*
- *

BALLAST OPTIONS

- Electronic T5
- Electronic T5HO
- Electronic Step Dimming T5HO
- Electronic T8
- Electronic Step Dimming T8

SUFFIX

- E5*
- E5H
- ESDM5H
- E8*
- ESDM8*

ACCESSORIES

- Wire Guard - 14 Ga.
- Channel Hangers
- 4" Leg Height V-Hook
- Fixture Suspension System

CAT. NO.

- WG14-AGS240
- CH-240
- V4
- *

*See Appropriate Reference Page

SPECIFICATIONS

TYPE

Open commercial luminaire with metal strip below lamps to protect fixture.

CONSTRUCTION

22 ga. cold rolled steel housing. (20 ga. housing available as specified.) End plates are fastened to housing by sheet metal screws to assure rigidity.

FINISH

Baked white polyester finish, minimum reflectance 86%. (Powder coated finish available.)

WIRE GUARD

14 ga. chrome epoxy powder coated.

WIRING

120v 60Hz., 277v 60Hz., UNV (universal voltage 120v thru 277v.) or as otherwise specified.

LABELS

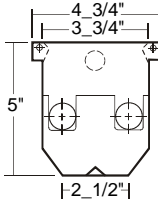
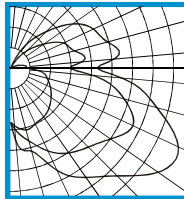
U.L. Listed. Suitable for damp locations.



PHOTOMETRIC DATA

AGS240-2-4R-E8

TEST NO.=LA-T0408
 LAMP TYPE=FO32T8
 NO. OF LAMP=2
 LUMENS PER LAMP=2900
 WATTS PER LAMP=32
 BALLAST FACTOR=1
 PHOTOMETRY TYPE=C



CANDLEPOWER

ANGLE	END	45	CROSS
0	282	282	282
5	305	328	400
15	331	397	449
25	314	478	593
35	304	537	693
45	283	577	791
55	255	639	940
65	226	701	960
75	195	607	784
85	142	429	580
90	87	305	448
95	81	370	539
105	59	344	522
115	30	306	476
125	11	224	402
135	1	141	276
145	0	69	168
155	0	13	60
165	0	0	0
175	0	0	0
180	0	0	0

ZONAL LUMEN SUMMARY

DEGREES	LUMENS	% LAMP	% FIXTURE
0-30	359	6.2	7.8
0-40	684	11.8	14.8
0-60	1671	28.8	36.1
0-90	3294	56.8	71.2
90-120	969	16.7	21.0
90-150	1319	22.7	28.5
90-180	1329	22.9	28.8
0-180	4623	79.7	100.0

Lumen Output = 4623 lumens
 Luminaire Efficiency = 79.7%

SPACING CRITERION

ALONG	ACROSS
1.59	3.17

This space is intentionally left blank.

This space is intentionally left blank.

This space is intentionally left blank.

