



OPEN COMMERCIAL

ANS100 SERIES



Corner Mounted Open Lamp Strip



- Corner Mounted Open Lamp Strip Luminaire
- Powder Coated Finish / Painted After Fabrication
- Baked White Polyester Finish
- Cover Secured by Two Quarter turn Fasteners
- Suitable for Damp Locations
- Available with:
 - Fluorescent, LED and LED T8 (Internally Driven)
 - Emergency Battery Pack
 - Switch

Photometric Data and IES Files are Available on www.lalighting.com



LOS ANGELES LIGHTING MFG. CO.

10141 OLNEY ST. / EL MONTE, CA 91731

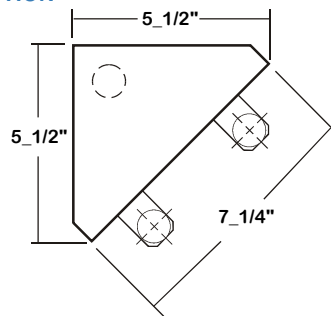
TEL : 626-454-8300 FAX : 626-454-8399

www.lalighting.com



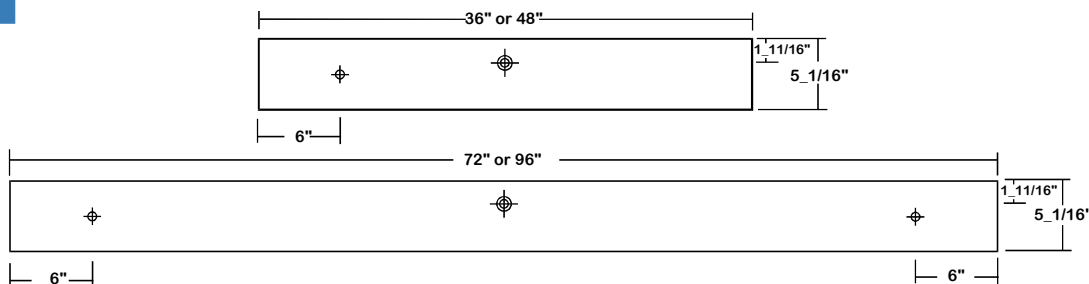
ANS100 SERIES

CROSS SECTION



BACK PLATE

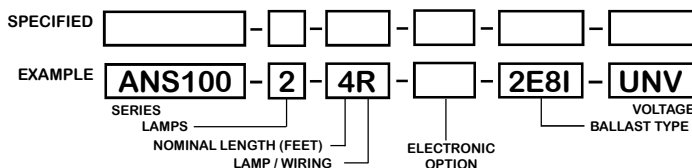
- ⌀ 7/8" K.O.
- ⌀ 2" K.O.



CATALOG NUMBER

NOMINAL LENGTH	TOTAL LAMPS	NOMINAL LENGTH	TOTAL LAMPS	NOMINAL LENGTH	TOTAL LAMPS	NOMINAL LENGTH	TOTAL LAMPS	
ANS100-1-3M	3'	1	ANS100-1-4H	4'	1	ANS100-2-4S	4'	2
ANS100-1-4M	4'	1	ANS100-1-6H	6'	1	ANS100-2-6S	6'	2
ANS100-1-6MT	6'	2	ANS100-1-8H	8'	1	ANS100-2-8S	8'	2
ANS100-1-8MT	8'	2	ANS100-2-3M	3'	2	ANS100-2-4H	4'	2
ANS100-1-3R	3'	1	ANS100-2-4M	4'	2	ANS100-2-6H	6'	2
ANS100-1-4R	4'	1	ANS100-2-6MT	6'	4	ANS100-2-8H	8'	2
ANS100-1-6RT	6'	2	ANS100-2-8MT	8'	4	ANS100-3-3M	3'	3
ANS100-1-8RT	8'	2	ANS100-2-3R	3'	2	ANS100-3-4M	4'	3
ANS100-1-4S	4'	1	ANS100-2-4R	4'	2	ANS100-3-6MT	6'	6
ANS100-1-6S	6'	1	ANS100-2-6RT	6'	4	ANS100-3-8MT	8'	6
ANS100-1-8S	8'	1	ANS100-2-8RT	8'	4			
						ANS100-3-3R	3'	3
						ANS100-3-4R	4'	3
						ANS100-3-6RT	6'	6
						ANS100-3-8RT	8'	6
						ANS100-3-4S	4'	3
						ANS100-3-6S	6'	3
						ANS100-3-8S	8'	3
						ANS100-3-4H	4'	3
						ANS100-3-6H	6'	3
						ANS100-3-8H	8'	3

ORDERING GUIDE



NOTE: LAMP/WIRING*
 M = Miniature Bi-Pin T5
 MT = Miniature Bi-Pin T5, Tandem Wiring
 R = Medium Bi-Pin T8
 RT = Medium Bi-Pin T8, Tandem Wiring
 S = Slimline
 H = High Output (800MA)

OPTIONS AND ACCESSORIES

ELECTRICAL OPTIONS

- Emergency Battery Pack
- External Line Fusing (HLR/GLR)
- Switch

SUFFIX

- BP*
- ELF
- *

BALLAST OPTIONS

- Electronic T5
- Electronic T5HO
- Electronic Step Dimming T5HO
- Electronic T8
- Electronic Step Dimming T8

SUFFIX

- E5*
- E5H
- ESDM5H
- E8*
- ESDM8*

*See Appropriate Reference Page

SPECIFICATIONS

- **TYPE**
- **CONSTRUCTION**
- **FINISH**
- **WIRING**
- **LABELS**

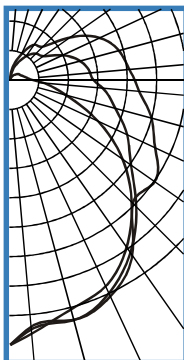
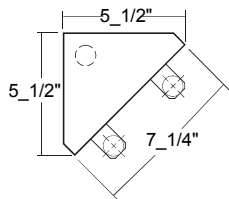
Open commercial luminaire designed for installation at junction of wall and ceiling.
 20 ga. cold rolled steel welded housing.
 Baked white powder coated finish, minimum reflectance 90%. Painted after fabrication. 120v
 60Hz., 277v 60Hz., UNV (universal voltage 120v thru 277v.) or as otherwise specified.
 U.L. Listed. Suitable for damp locations.



PHOTOMETRIC DATA

ANS100-2-4R-E8

TEST NO.=LA-T0410
 LAMP TYPE=FO32T8
 NO. OF LAMP=2
 LUMENS PER LAMP=2900
 WATTS PER LAMP=32
 BALLAST FACTOR=1
 PHOTOMETRY TYPE=C



CANDLEPOWER

ANGLE	END	45	CROSS
0	1127	1127	1127
5	1051	1063	1082
15	1056	1057	1009
25	1013	999	966
35	906	893	865
45	737	758	731
55	752	626	582
65	680	548	409
75	622	462	243
85	550	395	142
90	529	354	95
95	509	341	76
105	479	309	59
115	422	248	48
125	318	177	44
135	202	158	33
145	183	126	25
155	130	85	17
165	76	50	5
175	29	8	0
180	0	0	0

ZONAL LUMEN SUMMARY

DEGREES	LUMENS	% LAMP	% FIXTURE
0-30	858	14.8	16.3
0-40	1417	24.4	26.9
0-60	2575	44.4	48.9
0-90	3984	68.7	75.6
90-120	896	15.4	17.0
90-150	1235	21.3	23.4
90-180	1286	22.2	24.4
0-180	5270	90.9	100.0

Lumen Output = 5270 lumens
 Luminaire Efficiency = 90.9%

SPACING CRITERION

ALONG	ACROSS
1.26	1.21

This space is intentionally left blank.

This space is intentionally left blank.

This space is intentionally left blank.

