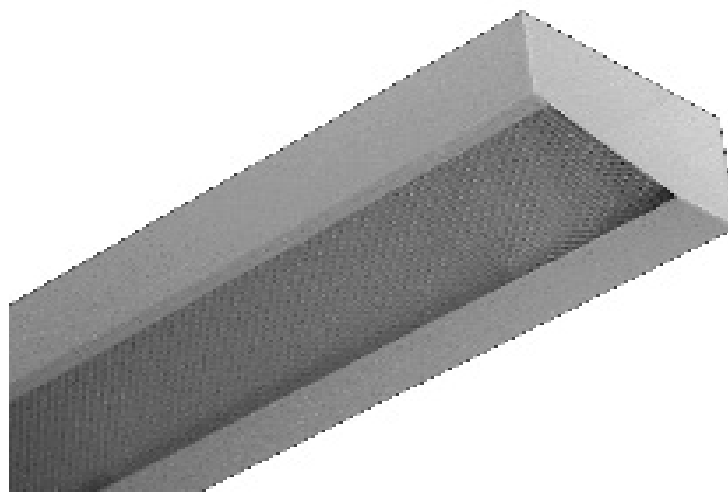




WRAPAROUND

BAN100 SERIES

Angled Wall Bracket Luminaire



- 1 or 2 Lamp Angled Wall Bracket / Under Cabinet Luminaire
- Powder Coated Finish / Painted After Fabrication
- Frameless Lay-In Lens
- Suitable for Damp Locations
- Available with:

Fluorescent, LED and LED T8 (Internally Driven)

Custom Colors

Up-Light

Variety of Lenses

Emergency Battery Pack

Switch



Photometric Data and IES Files are Available on www.lalighting.com



LOS ANGELES LIGHTING MFG. CO.

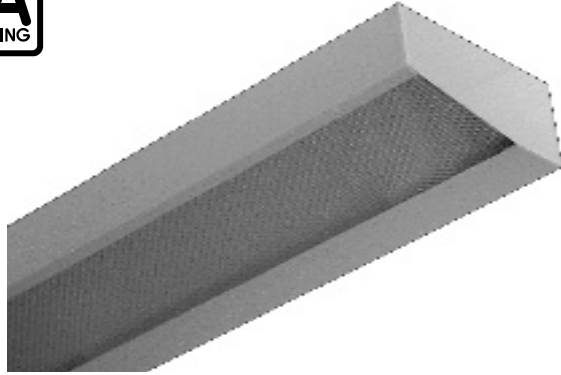
10141 OLNEY ST. / EL MONTE, CA 91731

TEL : 626-454-8300 FAX : 626-454-8399

www.lalighting.com

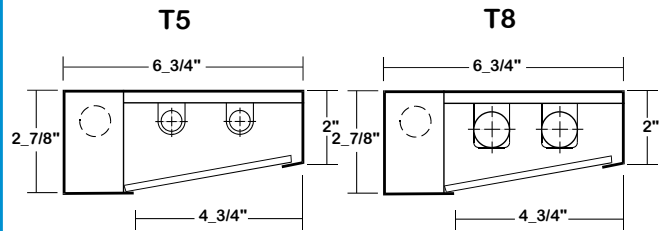
WALL BRACKET - Fluorescent

LED Equivalent Products Available on www.lalighting.com



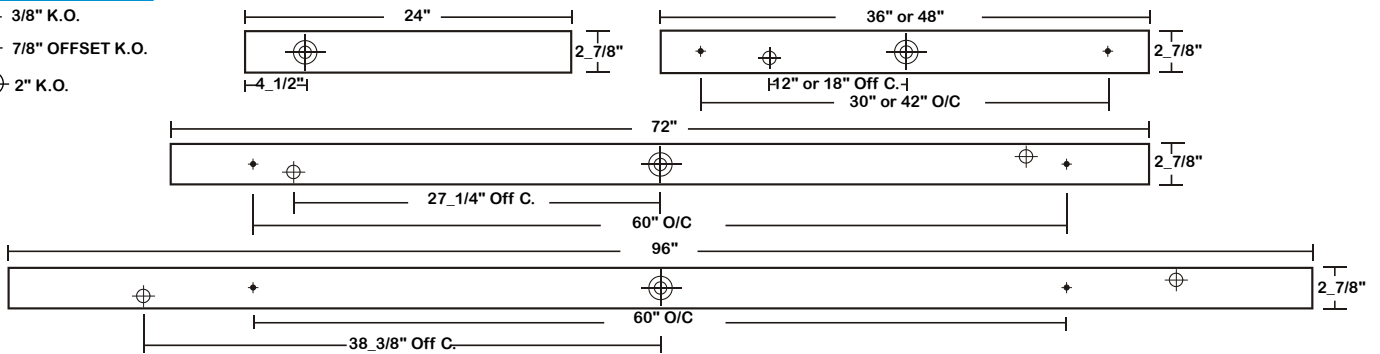
BAN100 SERIES

CROSS SECTION



BACK PLATE

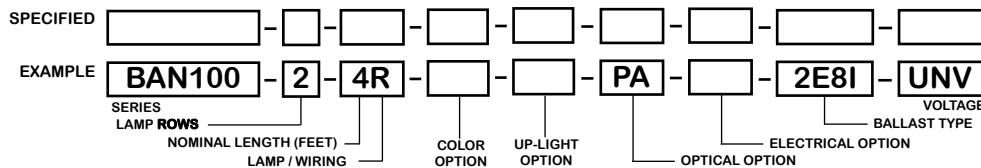
- ◆ 3/8" K.O.
- ⊕ 7/8" OFFSET K.O.
- ⊕ 2" K.O.



CATALOG NUMBER

NOMINAL LENGTH	TOTAL LAMPS	NOMINAL LENGTH	TOTAL LAMPS	NOMINAL LENGTH	TOTAL LAMPS	NOMINAL LENGTH	TOTAL LAMPS	
BAN100-1-2M	2'	1	BAN100-2-2M	2'	2	BAN100-1-2R	2'	1
BAN100-1-3M	3'	1	BAN100-2-3M	3'	2	BAN100-1-3R	3'	1
BAN100-1-4M	4'	1	BAN100-2-4M	4'	2	BAN100-1-4R	4'	1
BAN100-1-6MT	6'	2	BAN100-2-6MT	6'	4	BAN100-1-6RT	6'	2
BAN100-1-8MT	8'	2	BAN100-2-8MT	8'	4	BAN100-1-8RT	8'	2
						BAN100-2-2R	2'	2
						BAN100-2-3R	3'	2
						BAN100-2-4R	4'	2
						BAN100-2-6RT	6'	4
						BAN100-2-8RT	8'	4

ORDERING GUIDE



NOTE: LAMP/WIR-
 M= Miniature Bi-Pin T5
 MT= Miniature Bi-Pin T5 Tandem Wiring
 R= Medium Bi-Pin T8
 RT= Medium Bi-Pin T8 Tandem Wiring

OPTIONS AND ACCESSORIES

- | | | | | | |
|---|--|--|--|---|--|
| <ul style="list-style-type: none"> ● COLOR OPTIONS White Standard Black Note: Other colors available. ● UP-LIGHT OPTIONS Uplight w/Clear Acrylic Dust Cover Uplight w/Clear Prismatic Acrylic Dust Cover | <p>SUFFIX</p> <p>BLK</p> <p>SUFFIX</p> <p>UCA</p> <p>UPA</p> | <ul style="list-style-type: none"> ● OPTICAL OPTIONS Clear Prismatic Acrylic Flat White Acrylic ● ELECTRICAL OPTIONS Emergency Battery Pack External Line Fusing (HLR/GLR) | <p>SUFFIX</p> <p>PA</p> <p>FWA</p> <p>SUFFIX</p> <p>BP*</p> <p>ELF</p> | <ul style="list-style-type: none"> ● BALLAST OPTIONS* Electronic T5 Electronic T5HO Electronic T8 Instant Start Electronic T8 Rapid Start Electronic T8HO <p>x = Number of Lamps per Ballast</p> | <p>SUFFIX</p> <p>xE5</p> <p>xE5H</p> <p>xE8I</p> <p>xE8R</p> <p>xE8H</p> |
|---|--|--|--|---|--|

* Refer to www.lalighting.com/resources for more information

SPECIFICATIONS

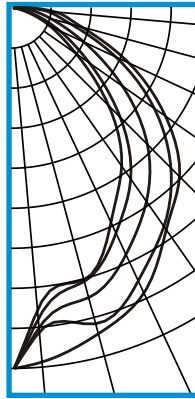
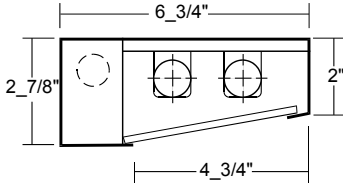
- **TYPE**
- Wall / ceiling mounted luminaire may be used in task lighting applications.
- **CONSTRUCTION**
- 20 ga. cold rolled steel welded housing.
- **FINISH**
- Baked white powder coated finish, minimum reflectance 90%, painted after fabrication.
- **OPTICS**
- Frameless lay-in lens. Clear prismatic acrylic lens standard. Extensive variety of lenses and diffusers available.
- **WIRING**
- 120v 60Hz., 277v 60Hz., UNV (universal voltage 120v thru 277v.) or as otherwise specified.
- **LABELS**
- U.L. Listed. Suitable for damp locations.



PHOTOMETRIC DATA

BAN100-2-4R-PA-E8

TEST NO.=LA-T0242
 LAMP TYPE=FO32T8
 NO. OF LAMP=2
 LUMENS PER LAMP=2900
 WATTS PER LAMP=32
 BALLAST FACTOR=1
 PHOTOMETRY TYPE=C



CANDLEPOWER

ANGLE	0	45	90	135	180
0	1393	1393	1393	1393	1393
5	1370	1246	1226	1188	1151
15	1297	1262	1154	1088	1082
25	1204	1151	1038	945	895
35	1031	1016	897	788	726
45	905	856	724	569	503
55	707	653	499	338	271
65	478	421	282	177	137
75	262	217	135	59	34
85	156	122	49	4	0
90	76	56	7	0	0
95	25	12	0	0	0
105	0	0	0	0	0
115	0	0	0	0	0
125	0	0	0	0	0
135	0	0	0	0	0
145	0	0	0	0	0
155	0	0	0	0	0
165	0	0	0	0	0
175	0	0	0	0	0
180	0	0	0	0	0

ZONAL LUMEN SUMMARY

DEGREES	LUMENS	% LAMP	% FIXTURE
0-30	935	16.1	31.1
0-40	1497	25.8	49.8
0-60	2493	43.0	82.9
0-90	2994	51.6	99.6
90-120	12	0.2	0.4
90-150	12	0.2	0.4
90-180	12	0.2	0.4
0-180	3006	51.8	100.0

Lumen Output = 3006 lumens
 Luminaire Efficiency = 51.8%

SPACING CRITERION

ALONG	ACROSS
1.19	1.05

This space is intentionally left blank.

This space is intentionally left blank.

This space is intentionally left blank.

