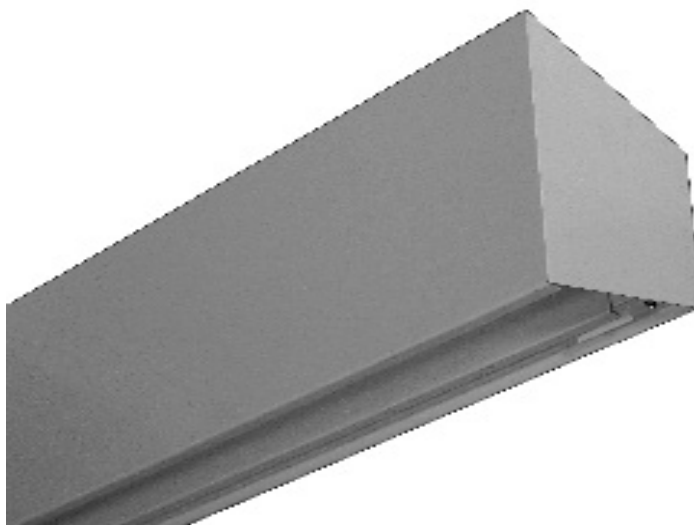




# WRAPAROUND

## BFF100 SERIES

### Flat Front Wall Bracket Luminaire



- Flat Front Wall Bracket Luminaire
- Up-Light and Down Light
- Facia and End Plates are Painted After Fabrication
- Rest Room, Reception Area, Hall Way Illuminate Signs
- Suitable for Damp Locations
- Available with:
  - Fluorescent, LED and LED T8 (Internally Driven)
  - Facia Colors
  - Emergency Battery Pack



Photometric Data and IES Files are Available on [www.lalighting.com](http://www.lalighting.com)

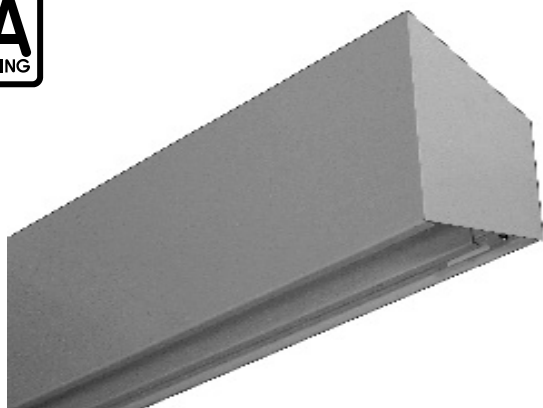


**LOS ANGELES LIGHTING MFG. CO.**

10141 OLNEY ST. / EL MONTE, CA 91731

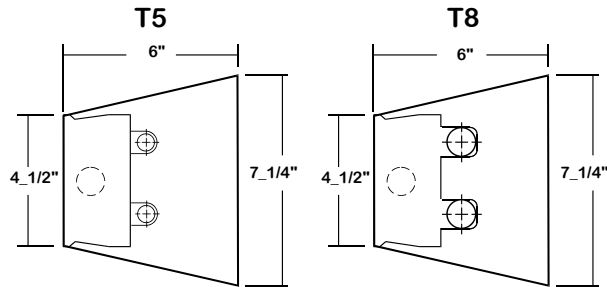
TEL : 626-454-8300 FAX : 626-454-8399

[www.lalighting.com](http://www.lalighting.com)



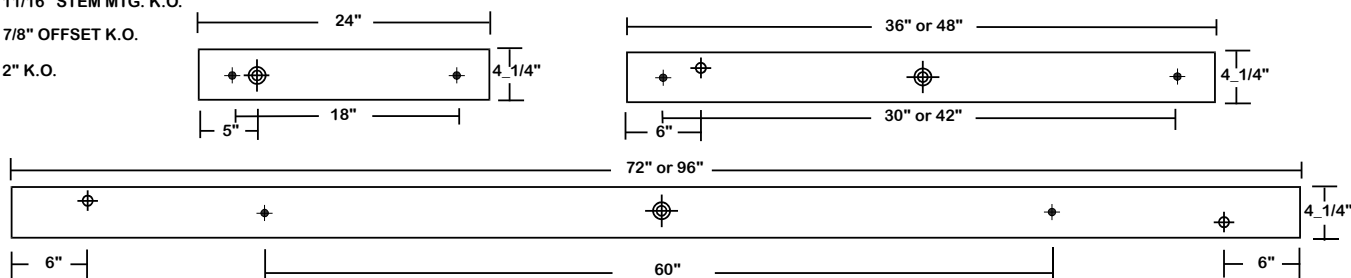
# BFF100 SERIES

## CROSS SECTION



## BACK PLATE

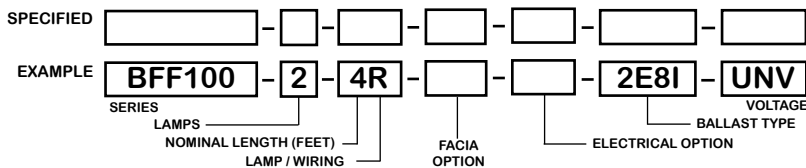
- ◆ 11/16" STEM MTG. K.O.
- ⊕ 7/8" OFFSET K.O.
- ⊕ 2" K.O.



## CATALOG NUMBER

NOMINAL LENGTH	TOTAL LAMPS	NOMINAL LENGTH	TOTAL LAMPS	NOMINAL LENGTH	TOTAL LAMPS	NOMINAL LENGTH	TOTAL LAMPS	
BFF100-1-2M	2'	1	BFF100-2-2M	2'	2	BFF100-1-2R	2'	1
BFF100-1-3M	3'	1	BFF100-2-3M	3'	2	BFF100-1-3R	3'	1
BFF100-1-4M	4'	1	BFF100-2-4M	4'	2	BFF100-1-4R	4'	1
BFF100-1-6MT	6'	2	BFF100-2-6MT	6'	4	BFF100-1-6RT	6'	2
BFF100-1-8MT	8'	2	BFF100-2-8MT	8'	4	BFF100-1-8RT	8'	2
						BFF100-2-2R	2'	2
						BFF100-2-3R	3'	2
						BFF100-2-4R	4'	2
						BFF100-2-6RT	6'	4
						BFF100-2-8RT	8'	4

## ORDERING GUIDE



**NOTE: LAMP/WIR-**  
M= Miniature Bi-Pin T5  
MT= Miniature Bi-Pin T5 Tandem Wiring  
R= Medium Bi-Pin T8  
RT= Medium Bi-Pin T8 Tandem Wiring

## OPTIONS AND ACCESSORIES

● FACIA OPTIONS	SUFFIX	● ELECTRICAL OPTIONS	SUFFIX	● BALLAST OPTIONS	SUFFIX
White Standard		Emergency Battery Pack	BP*	Electronic T5	E5*
Black	BLK	External Line Fusing (HLR/GLR)	ELF	Electronic T5HO	E5H
Genuine Oak Facia	OAK	Radio Interference Filters	RIF	Electronic Step Dimming T5HO	ESDM5H
Note: Other colors available.		Night Light (Fluor. 7W or 9W)	NL9	Electronic T8	E8*
				Electronic Step Dimming T8	ESDM8*

\*See Appropriate Reference Page

## SPECIFICATIONS

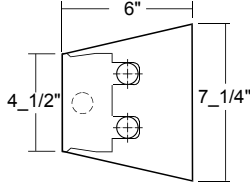
- **TYPE** Wall mounted luminaire available in various lengths and lamp configurations.
- **CONSTRUCTION** 22 ga. cold rolled steel welded housing.
- **FINISH** Baked white powder coated finish, minimum reflectance 90%, painted after fabrication. Wood veneer or painted finishes are available as specified.
- **OPTICS** Open top and bottom. V-shaped facia is standard.
- **WIRING** 120v 60Hz., 277v 60Hz., UNV (universal voltage 120v thru 277v.) or as otherwise specified.
- **LABELS** U.L. Listed. Suitable for damp locations.



**PHOTOMETRIC DATA**

BFF100-2-4R-PA-E8

TEST NO.=LA-T0422  
 LAMP TYPE=FO32T8  
 NO. OF LAMP=2  
 LUMENS PER LAMP=2900  
 WATTS PER LAMP=32  
 BALLAST FACTOR=1  
 PHOTOMETRY TYPE=C



**CANDLEPOWER**

ANGLE	0	45	90	135	180
0	407	407	407	407	407
5	612	546	423	562	592
15	843	699	480	635	662
25	946	845	503	660	685
35	702	794	491	636	644
45	526	620	467	541	570
55	298	401	397	460	483
65	66	178	294	364	383
75	0	22	155	239	294
85	0	0	48	180	268
90	0	0	22	175	235
95	0	0	47	188	267
105	0	26	159	244	294
115	66	175	289	353	403
125	291	399	406	467	508
135	532	613	470	554	576
145	708	791	501	632	662
155	927	849	503	641	698
165	809	715	459	637	671
175	583	527	418	563	606
180	373	373	373	373	373

**ZONAL LUMEN SUMMARY**

DEGREES	LUMENS	% LAMP	% FIXTURE
0-30	559	9.6	12.3
0-40	966	16.7	21.3
0-60	1757	30.3	38.7
0-90	2265	39.0	49.9
90-120	510	8.8	11.2
90-150	1719	29.6	37.9
90-180	2274	39.2	50.1
0-180	4538	78.2	100.0

Lumen Output = 4538 lumens  
 Luminaire Efficiency = 78.2%

**SPACING CRITERION**

ALONG	ACROSS
1.92	1.74

This space is intentionally left blank.

This space is intentionally left blank.

This space is intentionally left blank.

