

LED T8 - WRAPAROUND

CIT100 SERIES

Fully Gasketed Enclosure Luminaire



- 4" Width, Fully Gasketed Enclosure Luminaire For LED T8 Internal Driver Light Tube (by Others)
- Fiberglass Housing and Polycarbonate Latches
- Poured In Place Polyurethane Gasket
- Polycarbonate Ribbed Lens
- Certifications*:
 - Damp or Wet Locations
 - IP65 - Dust Tight / Protected Against Water Jetting
- UL Listed / Conforms to UL Standard 1598 - SUB 8750
- Available with :
 - Stainless Steel Mounting Brackets
 - Stainless Steel Chain Mount V-Hooks
 - Stainless Steel Latches
 - Tamper Proof Screws
 - NSF - Splash Zone / Non - Food Zone



LOS ANGELES LIGHTING MFG. CO.

10141 OLNEY ST. / EL MONTE, CA 91731

<http://www.lalighting.com>

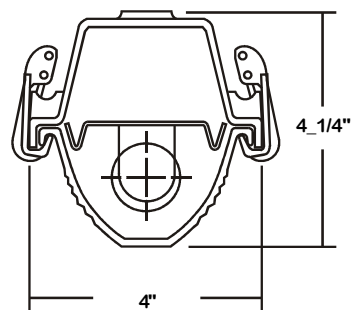
TEL : 626-454-8300 FAX : 626-454-8399

LED T8 - WRAPAROUND

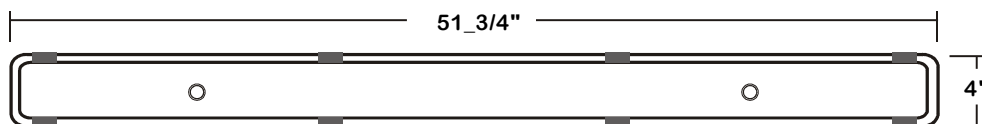


CIT100 SERIES - LED T8

CROSS SECTION



BACK PLATE



CATALOG NUMBER

| | NOMINAL LENGTH | TOTAL LAMPS |
|----------------------------------|----------------|-------------|
| CIT100-1-4LI ^{1,2,3,4*} | 4' | 1 |
| CIT100-1-4LR ^{1,2,3,4*} | 4' | 1 |
| CIT100-1-4LO ^{1,2,3,4*} | 4' | 1 |

*Certification Note:

NSF Splash Zone IP65

SSMB- MOUNTING BRACKET

- Corrosion resistant stainless steel bracket, two brackets for 4' units, three brackets for 8' unit.
- Fixture snaps securely into place, mounting method does not require stud in fixture.

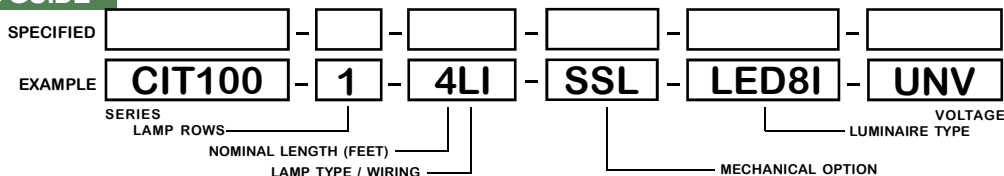


SSV- CHAIN MOUNT V-HOOK

- Corrosion resistant stainless steel V-hooks for chain mount applications, two V-hooks for 4' units, three V-hooks for 8' unit.
- Hooks work in conjunction with stainless steel mounting brackets.



ORDERING GUIDE



LAMP TYPE

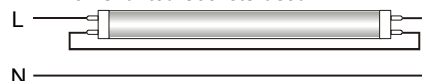
LI = LED T8 internal driver light tube.
Both ends powered.
Shunted sockets used.



LR = LED T8 internal driver light tube.
Single end powered.
Non-shunted sockets used.



LO = LED T8 internal driver light tube.
Both ends powered, one wire connects lampholders together from each side.
Non-shunted sockets used.



OPTIONS AND ACCESSORIES

MECHANICAL OPTIONS

- Wet Location (Two Mtg. Brackets and One Watertight Hub Provided)
- Stainless Steel Latches
- Stainless Steel Mounting Brackets
- Stainless Steel Chain Mount V-Hooks
- Stainless Steel Tamper Proof Screws
- NSF - Splash Zone / Non - Food Zone

SUFFIX

- WL
- SSL
- SSMB
- SSV
- TP
- SZ

*See Appropriate Reference Page

SPECIFICATIONS

** Lamp(s) by others.

- TYPE
- CONSTRUCTION
- FINISH
- OPTICS
- WIRING
- LABELS

Surface mounted, fully enclosed and gasketed luminaire for LED T8 internal driver light tube(s)**, for installation in damp or wet locations as specified.
 Fiberglass housing, 22 ga. cold rolled steel internal snap-on gear tray/cover with safety strap attached.
 Gear tray - Baked white polyester finish, minimum reflectance 86%. (Powder coated finish available.)
 Polycarbonate lens standard, linear ribbed lens design. Lens secured to fiberglass housing by polycarbonate latches, stainless steel latches available.
 Operates LED T8 internal driver light tube(s)**.
 Conforms to UL standard 1598 - SUB 8750.

