

LED T8 - WRAPAROUND

CIT200 SERIES

Fully Gasketed Enclosure Luminaire

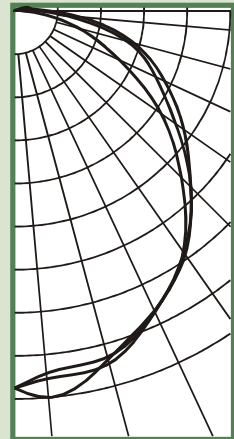


- 6_3/4" Width, Fully Gasketed Enclosure Luminaire For LED T8 Internal Driver Light Tube (by Others)
- Fiberglass Housing and Polycarbonate Latches
- Poured In Place Polyurethane Gasket
- Window Clear Acrylic Lens
- UL Listed / Conforms to UL Standard 1598 - SUB 8750
- Certifications*:
 - Damp or Wet Locations
 - IP65 - Dust Tight / Protected Against Water Jetting
 - IP67 - Dust Tight / Temporary Submersion Under Water For 30 Minutes.
- Available with :
 - Heavy Duty Safety Switch
 - Stainless Steel Mounting Brackets
 - Stainless Steel Chain Mount V-Hooks
 - Stainless Steel Latches
 - Tamper Proof Screws
 - NSF - Splash Zone / Non - Food Zone



CIT200-3-4L-LIRA-LED8

TEST NO.=LA-T1982
 LAMP TYPE=LED T8, 4'
 NO. OF LAMP=3
 LUMENS PER LAMP=1300
 WATTS PER LAMP=15
 BALLAST FACTOR=1
 PHOTOMETRY TYPE=C



CANDLEPOWER

Angle	End	45	Cross
0	1195	1195	1195
5	1230	1153	1171
15	1144	1136	1158
25	1048	1051	1051
35	932	935	943
45	747	790	789
55	567	623	654
65	366	492	524
75	212	369	391
85	75	162	208
90	32	88	117
95	20	51	67
105	13	25	44
115	9	10	15
125	4	4	4
135	2	4	4
145	0	0	3
155	0	0	0
165	0	0	0
175	0	0	0
180	0	0	0

ZONAL LUMEN SUMMARY

DEGREES	LUMENS	% LAMP	% FIXTURE
0-30	923	23.7	24.6
0-40	1512	38.8	40.4
0-60	2669	68.4	71.2
0-90	3636	93.2	97.1
90-120	102	2.6	2.7
90-150	110	2.8	2.9
90-180	110	2.8	2.9
0-180	3746	96.1	100.0

Luminaire Efficiency = 96.1%

SPACING CRITERION

ALONG	ACROSS
1.23	1.24



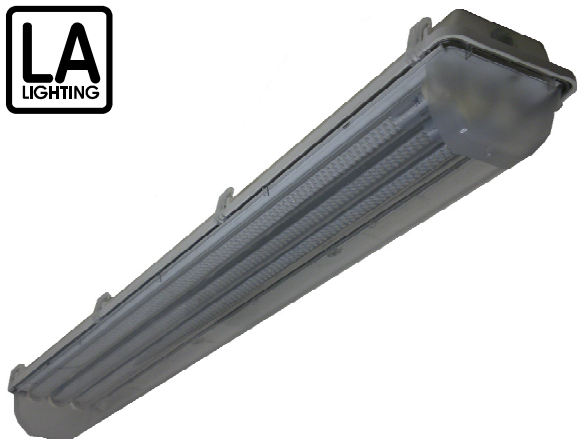
LOS ANGELES LIGHTING MFG. CO.

10141 OLNEY ST. / EL MONTE, CA 91731

<http://www.lalighting.com>

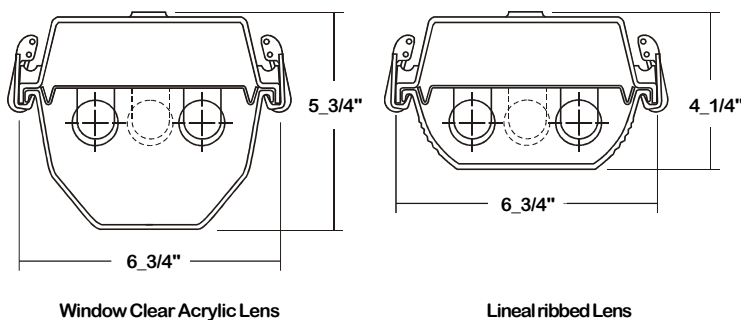
TEL : 626-454-8300 FAX : 626-454-8399

LED T8 - WRAPAROUND

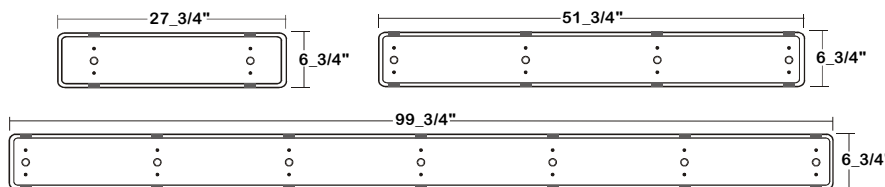


CIT200 SERIES - LED T8

CROSS SECTION



BACK PLATE



SAFETY SWITCH



- TS2 - LED Luminaire On/Off Safety Switch**
- Easily accessible on exterior of wire way.
 - Allows individual fixture to be switched ON/OFF during re-lamping or Maintenance.
 - Prevents damage to lamp and electrical shock during lamping and re-lamping.
 - Allows safe entry to wire way channel where power connector can be disconnected for maintenance to fixture.

CATALOG NUMBER

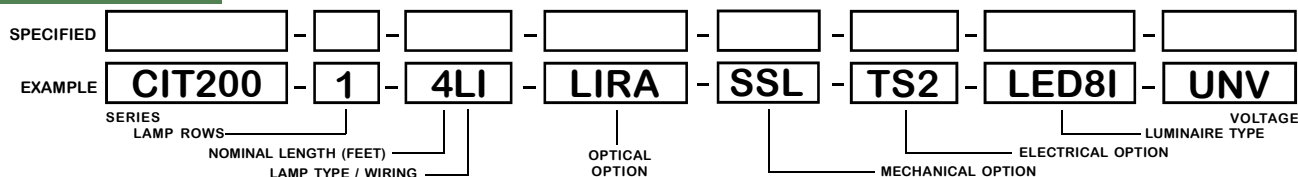
	NOMINAL LENGTH	TOTAL LAMPS		NOMINAL LENGTH	TOTAL LAMPS		NOMINAL LENGTH	TOTAL LAMPS
CIT200-1-2LI _{1,3*}	2'	1	CIT200-2-2LI _{1,3*}	2'	2	CIT200-3-2LI _{1,3*}	2'	3
CIT200-1-2LR _{1,3*}	2'	1	CIT200-2-2LR _{1,3*}	2'	2	CIT200-3-2LR _{1,3*}	2'	3
CIT200-1-2LO _{1,3*}	2'	1	CIT200-2-2LO _{1,3*}	2'	2	CIT200-3-2LO _{1,3*}	2'	3
CIT200-1-4LI _{1,2,3,4*}	4'	1	CIT200-2-4LI _{1,2,3,4*}	4'	2	CIT200-3-4LI _{1,2,3,4*}	4'	3
CIT200-1-4LR _{1,2,3,4*}	4'	1	CIT200-2-4LR _{1,2,3,4*}	4'	2	CIT200-3-4LR _{1,2,3,4*}	4'	3
CIT200-1-4LO _{1,2,3,4*}	4'	1	CIT200-2-4LO _{1,2,3,4*}	4'	2	CIT200-3-4LO _{1,2,3,4*}	4'	3
CIT200-1-8LIT _{1,2,3,4*}	8'	2	CIT200-2-8LIT _{1,2,3,4*}	8'	4	CIT200-3-8LIT _{1,2,3,4*}	8'	6
CIT200-1-8LRT _{1,2,3,4*}	8'	2	CIT200-2-8LRT _{1,2,3,4*}	8'	4	CIT200-3-8LRT _{1,2,3,4*}	8'	6
CIT200-1-8LOT _{1,2,3,4*}	8'	2	CIT200-2-8LOT _{1,2,3,4*}	8'	4	CIT200-3-8LOT _{1,2,3,4*}	8'	6

*Certification Note:

3-NSF Splash Zone

4-IP65

ORDERING GUIDE



LAMP TYPE

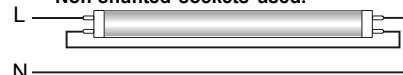
LI = LED T8 internal driver light tube.
Both ends powered.
Shunted sockets used.



LR = LED T8 internal driver light tube.
Single end powered.
Non-shunted sockets used.



LO = LED T8 internal driver light tube.
Both ends powered, one wire connects lampholders together from each side.
Non-shunted sockets used.



OPTIONS AND ACCESSORIES

OPTICAL OPTIONS

- Window Clear Acrylic Lens (Available in 4' and 8')
- Polycarbonate Ribbed Lens (Available in 2' and 4')
- High Impact Ribbed Acrylic Lens (Available in 4' and 8')

SUFFIX

- LIRA
- PCRL
- DRRL

MECHANICAL OPTIONS

- Wet Location (Two Mtg. Brackets and One Watertight Hub Provided)
- Stainless Steel Latches
- NSF - Splash Zone

ELECTRICAL OPTIONS

- LED Luminaire ON/OFF Safety Switch

SUFFIX

- WL
- SSL
- NSF
- TS2

ACCESSORIES

- Tamper Proof Screws
- Stainless Steel Mounting Bracket
- Additional Stainless Steel Latch Set for 2' Fixture
- Additional Stainless Steel Latch Set for 4' Fixture
- Additional Stainless Steel Latch Set for 8' Fixture

CAT. NO.

- CIT2/TP
- CIT2/SSMB
- CIT2/SSL2
- CIT2/SSL4
- CIT2/SSL8

*See Appropriate Reference Page

SPECIFICATIONS

** Lamp(s) by others.

TYPE

Surface mounted, fully enclosed and gasketed luminaire for LED T8 internal driver light tube (s)**, for installation in damp or wet locations as specified.

- CONSTRUCTION
- FINISH
- OPTICS

Fiberglass housing. 22 ga. cold rolled steel internal snap-on gear tray/cover with safety strap attached. Gear tray - Baked white polyester finish, minimum reflectance 86%. (Powder coated finish available.)

- WIRING
- LABELS

4' and 8' Window clear acrylic lens standard (Lineal ribbed lenses available). Lens secured to fiberglass housing by polycarbonate latches, stainless steel latches available. Operates LED T8 internal driver light tube(s)**.

Conforms to UL standard 1598 - SUB 8750.

