



RECESSED

GDH410 SERIES



6" Depth / T-Bar Recessed Mounted



- 6" Depth / T-Bar Recessed Mounted Luminaire
- 22 Gauge Cold Rolled Steel Housing
- 2" Deep Regressed Extruded Aluminum Door Frame
- T-Hinge And Spring Loaded Latch
- One Way Polyurethane Gasketed
- Suitable for Damp Locations
- Available with:

Fluorescent, LED and LED T8 (Internally Driven)

Variety of Lens Options

Emergency Battery Pack



Photometric Data and IES Files are Available on www.lalighting.com



LOS ANGELES LIGHTING MFG. CO.

10141 OLNEY ST. / EL MONTE, CA 91731

TEL : 626-454-8300 FAX : 626-454-8399

www.lalighting.com

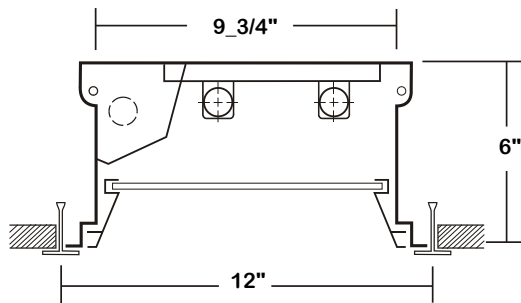
RECESSED - Fluorescent

LED Equivalent Products Available on www.lalighting.com



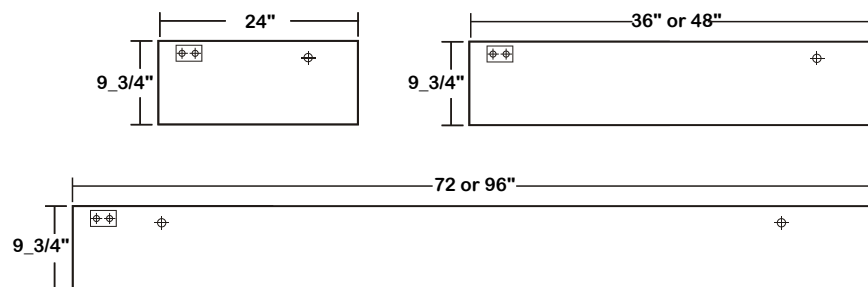
GDH410 SERIES

CROSS SECTION



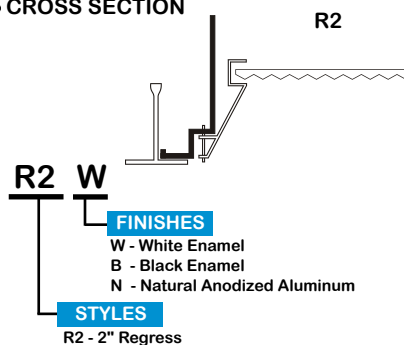
BACK PLATE

ACCESS PLATE ϕ 7/8" K.O.



DOOR FRAME INFORMATION

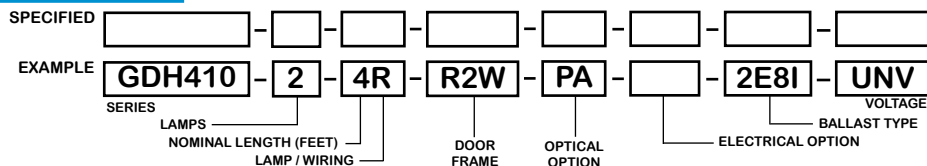
● **CROSS SECTION**



CATALOG NUMBER

| | NOMINAL LENGTH | TOTAL LAMPS | | NOMINAL LENGTH | TOTAL LAMPS | | NOMINAL LENGTH | TOTAL LAMPS | | NOMINAL LENGTH | TOTAL LAMPS |
|--------------|----------------|-------------|--------------|----------------|-------------|--------------|----------------|-------------|--------------|----------------|-------------|
| GDH410-1-2M | 2' | 1 | GDH410-2-6MT | 6' | 4 | GDH410-1-2R | 2' | 1 | GDH410-2-6RT | 6' | 4 |
| GDH410-1-3M | 3' | 1 | GDH410-2-8MT | 8' | 4 | GDH410-1-3R | 3' | 1 | GDH410-2-8RT | 8' | 4 |
| GDH410-1-4M | 4' | 1 | GDH410-3-2M | 2' | 3 | GDH410-1-4R | 4' | 1 | GDH410-3-2R | 2' | 3 |
| GDH410-1-6MT | 6' | 2 | GDH410-3-3M | 3' | 3 | GDH410-1-6RT | 6' | 2 | GDH410-3-3R | 3' | 3 |
| GDH410-1-8MT | 8' | 2 | GDH410-3-4M | 4' | 3 | GDH410-1-8RT | 8' | 2 | GDH410-3-4R | 4' | 3 |
| GDH410-2-2M | 2' | 2 | GDH410-3-6MT | 6' | 6 | GDH410-2-2R | 2' | 2 | GDH410-3-6RT | 6' | 6 |
| GDH410-2-3M | 3' | 2 | GDH410-3-8MT | 8' | 6 | GDH410-2-3R | 3' | 2 | GDH410-3-8RT | 8' | 6 |
| GDH410-2-4M | 4' | 2 | | | | GDH410-2-4R | 4' | 2 | | | |

ORDERING GUIDE



NOTE: LAMP/WIRING*

M= Miniature Bi-Pin T5
 R = Medium Bi-Pin T8
 MT= Miniature Bi-Pin T5, Tandem Wiring
 RT = Medium Bi-Pin T8, Tandem Wiring

OPTIONS AND ACCESSORIES

● **OPTICAL OPTIONS**

- Clear Acrylic
- Clear Prismatic Acrylic
- Flat White Acrylic
- Polycarbonate Lenses
- High Impact Acrylic
- Note: Other lens available upon request

SUFFIX

- CA
- PA
- FWA
- *
- *

● **ELECTRICAL OPTIONS**

- Emergency Battery Pack
- External Line Fusing (HLR/GLR)
- Radio Interference Filters
- Night Light

SUFFIX

- BP*
- ELF
- RIF
- NL*

● **BALLAST OPTIONS**

- Electronic T5
- Electronic T5HO
- Electronic Step Dimming T5HO
- Electronic T8
- Electronic Step Dimming T8

SUFFIX

- E5*
- E5H
- ESDM5H
- E8*
- ESDM8*

*See appropriate reference page

SPECIFICATIONS

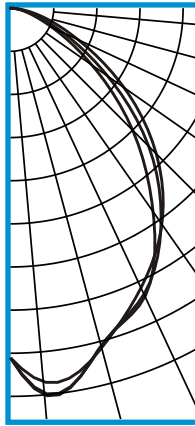
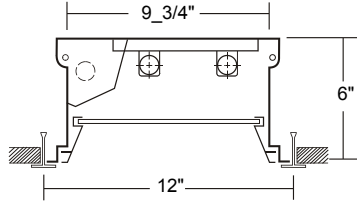
- **TYPE** Recessed mounted luminaire available in various lengths and widths. For inverted Tee-Bar installations.
- **CONSTRUCTION** 22 ga. cold rolled steel housing. (20 ga. housing available as specified)
- **FINISH** Baked white polyester finish, minimum reflectance 86%. (Powder coated finish available.)
- **DOOR FRAME** Heavy wall 2" deep aluminum extrusion. T-hinge, positive spring loaded latch. Two gussets installed in each corner for maximum strength and true miter alignment.
- **OPTICS** Clear prismatic acrylic standard. Extensive variety of lenses, diffusers and louvers available.
- **WIRING** 120v 60Hz., 277v 60Hz., UNV (universal voltage 120v thru 277v.) or as otherwise specified.
- **LABELS** U.L. Listed. Suitable for damp locations. Compatible with UL Fire-Rated Ceiling Assemblies.



PHOTOMETRIC DATA

GDH410-2-4R-R2W-PA-E8

TEST NO.=LA-T0571
 LAMP TYPE=FO32T8
 NO. OF LAMP=2
 LUMENS PER LAMP=2900
 WATTS PER LAMP=32
 BALLAST FACTOR=1
 PHOTOMETRY TYPE=C



CANDLEPOWER

| ANGLE | END | 45 | CROSS |
|-------|------|------|-------|
| 0 | 1328 | 1328 | 1328 |
| 5 | 1423 | 1467 | 1474 |
| 15 | 1335 | 1330 | 1327 |
| 25 | 1172 | 1199 | 1208 |
| 35 | 1002 | 997 | 944 |
| 45 | 783 | 742 | 657 |
| 55 | 527 | 452 | 379 |
| 65 | 283 | 220 | 177 |
| 75 | 126 | 90 | 69 |
| 85 | 27 | 20 | 19 |
| 90 | 0 | 1 | 1 |
| 95 | 0 | 0 | 0 |
| 105 | 0 | 0 | 0 |
| 115 | 0 | 0 | 0 |
| 125 | 0 | 0 | 0 |
| 135 | 0 | 0 | 0 |
| 145 | 0 | 0 | 0 |
| 155 | 0 | 0 | 0 |
| 165 | 0 | 0 | 0 |
| 175 | 0 | 0 | 0 |
| 180 | 0 | 0 | 0 |

ZONAL LUMEN SUMMARY

| DEGREES | LUMENS | % LAMP | % FIXTURE |
|---------|--------|--------|-----------|
| 0-30 | 1068 | 18.4 | 35.6 |
| 0-40 | 1687 | 29.1 | 56.2 |
| 0-60 | 2660 | 45.9 | 88.6 |
| 0-90 | 3000 | 51.7 | 100.0 |
| 90-120 | 0 | 0.0 | 0.0 |
| 90-150 | 0 | 0.0 | 0.0 |
| 90-180 | 0 | 0.0 | 0.0 |
| 0-180 | 3000 | 51.7 | 100.0 |

Lumen Output = 3000 lumens
 Luminaire Efficiency = 51.75%

SPACING CRITERION

| ALONG | ACROSS |
|-------|--------|
| 1.21 | 1.19 |

This space is intentionally left blank.

This space is intentionally left blank.

This space is intentionally left blank.

