



INDUSTRIAL

IND300 SERIES



13½" Wide Reflector Industrial Luminaire



- 13½" Wide Reflector Industrial Luminaire
- 22 Ga. Cold Rolled Steel Housing
- Baked White Polyester Finish
- Screw-On End Caps
- Reflector Secured by Quarter turn Fasteners
- Suitable for Damp Locations
- Available with:
 - Fluorescent, LED and LED T8 (Internally Driven)
 - Up-Light
 - 95% Enhanced Specular Aluminum Reflector
 - Emergency Battery Pack
 - Switch
 - 14 Ga. Wire Guard



Photometric Data and IES Files are Available on www.lalighting.com



LOS ANGELES LIGHTING MFG. CO.

10141 OLNEY ST. / EL MONTE, CA 91731

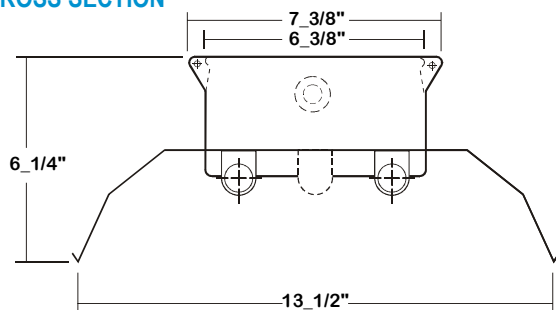
TEL : 626-454-8300 FAX : 626-454-8399

www.lalighting.com



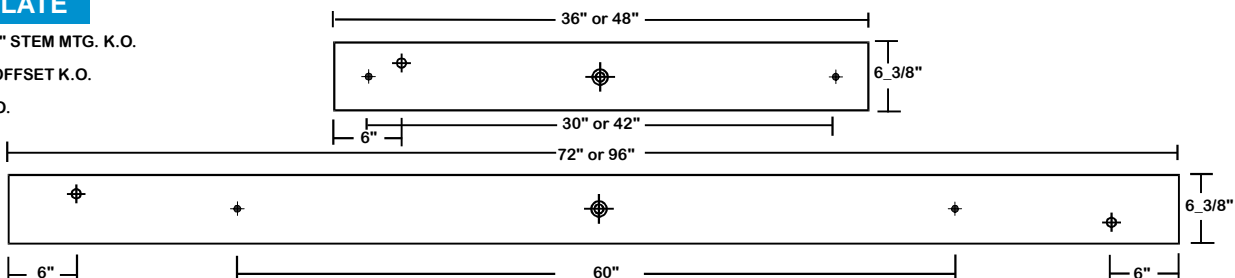
IND300 SERIES

CROSS SECTION



BACK PLATE

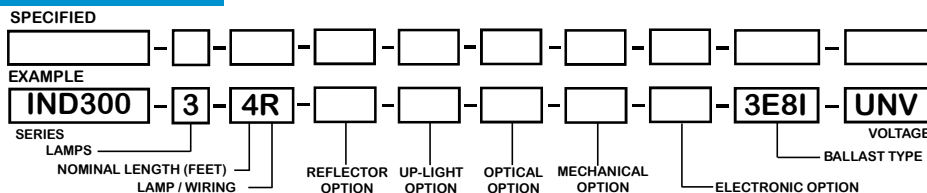
- ✦ 11/16" STEM MTG. K.O.
- ✦ 7/8" OFFSET K.O.
- ✦ 2" K.O.



CATALOG NUMBER

	NOMINAL LENGTH	TOTAL LAMPS		NOMINAL LENGTH	TOTAL LAMPS		NOMINAL LENGTH	TOTAL LAMPS		NOMINAL LENGTH	TOTAL LAMPS
IND300-2-2M	2'	2	IND300-2-4S	4'	2	IND300-3-2M	2'	3	IND300-3-6S	6'	3
IND300-2-3M	3'	2	IND300-2-6S	6'	2	IND300-3-3M	3'	3	IND300-3-8S	8'	3
IND300-2-4M	4'	2	IND300-2-8S	8'	2	IND300-3-4M	4'	3	IND300-3-16ST	16'	6
IND300-2-6MT	6'	4	IND300-2-4H	4'	2	IND300-3-6MT	6'	6	IND300-3-6H	6'	3
IND300-2-8MT	8'	4	IND300-2-6H	6'	2	IND300-3-8MT	8'	6	IND300-3-8H	8'	3
IND300-2-2R	2'	2	IND300-2-8H	8'	2	IND300-3-3R	3'	3	IND300-3-16HT	16'	6
IND300-2-3R	3'	2	IND300-2-4V	4'	2	IND300-3-4R	4'	3	IND300-3-6V	6'	3
IND300-2-4R	4'	2	IND300-2-6V	6'	2	IND300-3-6RT	6'	6	IND300-3-8V	8'	3
IND300-2-6RT	6'	4	IND300-2-8V	8'	2	IND300-3-8RT	8'	6	IND300-3-16VT	16'	6
IND300-2-8RT	8'	4									

ORDERING GUIDE



NOTE: LAMP/WIRING*

- M = Miniature Bi-Pin T5
- MT = Miniature Bi-Pin T5, Tandem Wiring
- R = Medium Bi-Pin T8
- RT = Medium Bi-Pin T8, Tandem Wiring
- S = Slimline
- ST = Slimline, Tandem Wiring
- H = High Output (800MA)
- HT = High Output, Tandem Wiring
- V = Very High Output (1500MA)
- VT = Very High Output, Tandem Wiring

OPTIONS AND ACCESSORIES

- | | | |
|--|---|---|
| <ul style="list-style-type: none"> ● REFLECTOR OPTIONS Specular Aluminum Reflector (95%) SUFFIX SR ● UP-LIGHT OPTIONS 10% Uplight SUFFIX S10 20% Uplight S20 ● OPTICAL OPTIONS Lenses SUFFIX * Louvers * | <ul style="list-style-type: none"> ● MECHANICAL OPTIONS Reflector End Enclosures SUFFIX CE ● ELECTRICAL OPTIONS Emergency Battery Pack BP* External Line Fusing (HLR/GLR) ELF Radio Interference Filters RIF Plug-In Branch Wiring Connector System PIW* Switch * | <ul style="list-style-type: none"> ● BALLAST OPTIONS Electronic T5 SUFFIX E5* Electronic T5HO E5H Electronic Step Dimming T5HO ESDM5H Electronic T8 E8* Electronic Step Dimming T8 ESDM8* ● ACCESSORIES Wire Guard - 14 Ga. CAT. NO. WG14-IND300 12" Coupling For Row Mounting CMC-300 Channel Hangers CH-300 6" Leg Height V-Hook V6 Fixture Suspension System * |
|--|---|---|

*See Appropriate Reference Page

SPECIFICATIONS

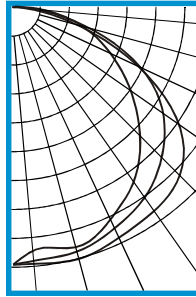
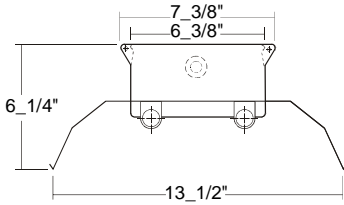
- **TYPE** Industrial luminaire for surface or suspended mounting.
- **CONSTRUCTION** 22 ga. cold rolled steel housing. (20 ga. housing available as specified.) End plates are fastened to housing by sheet metal screws to assure rigidity.
- **FINISH** Baked white polyester finish, minimum reflectance 86%. (Powder coated finish available.)
- **REFLECTOR** 22 ga. cold rolled steel reflector standard.
- **WIRING** 120v 60Hz., 277v 60Hz., UNV (universal voltage 120v thru 277v.) or as otherwise specified.
- **LABELS** U.L. Listed. Suitable for damp locations.



PHOTOMETRIC DATA

IND300-2-4R-E8

TEST NO.=LA-T0282
 LAMP TYPE=FO32T8
 NO. OF LAMP=2
 LUMENS PER LAMP=2900
 WATTS PER LAMP=32
 BALLAST FACTOR=1
 PHOTOMETRY TYPE=C



CANDLEPOWER

ANGLE	END	45	CROSS
0	1438	1438	1438
5	1362	1421	1439
15	1387	1410	1453
25	1300	1356	1415
35	1180	1290	1384
45	1002	1176	1320
55	798	1021	1127
65	595	779	762
75	395	430	357
85	169	129	74
90	68	45	7
95	25	25	2
105	7	9	0
115	2	2	0
125	0	1	0
135	0	0	0
145	0	0	0
155	0	0	0
165	0	0	0
175	0	0	0
180	0	0	0

ZONAL LUMEN SUMMARY

DEGREES	LUMENS	% LAMP	% FIXTURE
0-30	1164	20.1	23.0
0-40	1972	34.0	38.9
0-60	3766	64.9	74.3
0-90	5030	86.7	99.3
90-120	35	0.6	0.7
90-150	36	0.6	0.7
90-180	36	0.6	0.7
0-180	5066	87.3	100.0

Lumen Output = 5066 lumens
 Luminaire Efficiency = 87.3%

SPACING CRITERION

ALONG	ACROSS
1.28	1.46

This space is intentionally left blank.

This space is intentionally left blank.

This space is intentionally left blank.

