



METAL SIDED

MDH420 SERIES 2X2 Metal Sided Luminaire



- 2X2, Metal Sided Surface Mounted Deep Housing Luminaire
- 20 Gauge Cold Rolled Steel Welded Housing
- Powder Coated Finish / Painted After Fabrication
- 2" Deep Regressed Extruded Aluminum Door Frame
- T-Hinges And Spring Loaded Latches
- One Way Polyurethane Gasketed
- Suitable for Damp Locations
- Available with:
 - Fluorescent, LED and LED T8 (Internally Driven)
 - Variety of Lenses
 - Emergency Battery Pack



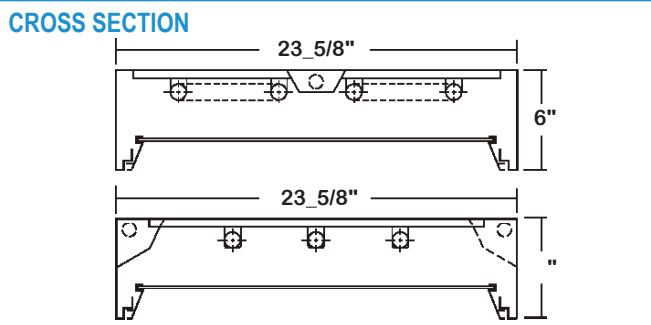
Photometric Data and IES Files are Available on www.lalighting.com



LOS ANGELES LIGHTING MFG. CO.
 10141 OLNEY ST. / EL MONTE, CA 91731
 TEL : 626-454-8300 FAX : 626-454-8399
www.lalighting.com

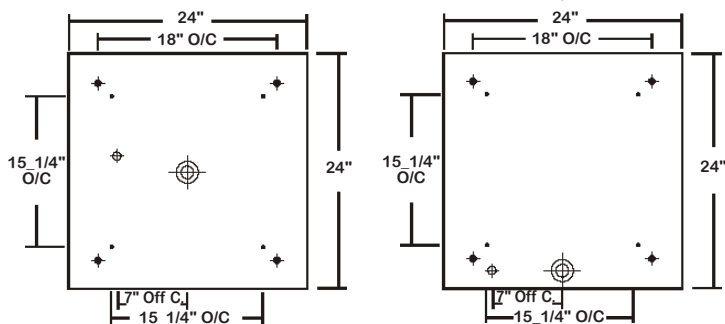


MDH420 SERIES 2x2



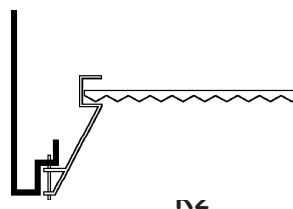
BACK PLATE

- 3/8" K.O. ◆ 11/16" STEM MTG. K.O. ⊕ 7/8" OFFSET K.O. ⊕ 2" K.O.



DOOR FRAME INFORMATION

● CROSS SECTION



R2 W

FINISHES

- W - White Enamel
- B - Black Enamel
- N - Natural Anodized Aluminum

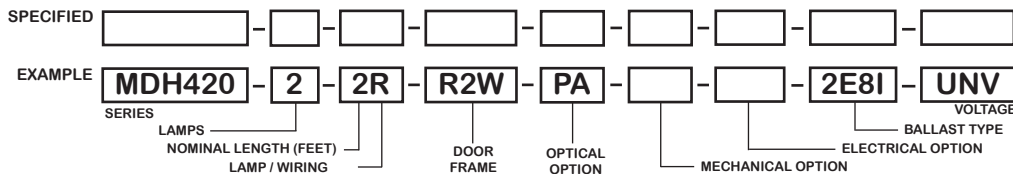
STYLES

R2 - 2" Regress

CATALOG NUMBER

	NOMINAL WIDTH X LENGTH	TOTAL LAMPS		NOMINAL WIDTH X LENGTH	TOTAL LAMPS		NOMINAL WIDTH X LENGTH	TOTAL LAMPS
MDH420-2-2M	2' X 2'	2	MDH420-2-2RU1	2' X 2'	2	MDH420-2-2R	2' X 2'	2
MDH420-3-2M	2' X 2'	3	MDH420-3-2RU1	2' X 2'	3	MDH420-3-2R	2' X 2'	3
MDH420-4-2M	2' X 2'	4	MDH420-2-2RU6	2' X 2'	2	MDH420-4-2R	2' X 2'	4

ORDERING GUIDE



NOTE: LAMP/WIRING*
 M= Miniature Bi-Pin T5
 R = Medium Bi-Pin T8
 RU1 = Medium Bi-Pin T8 U Shaped 1.5/8" Spacing
 RU6 = Medium Bi-Pin T8 U Shaped 6" Spacing

OPTIONS AND ACCESSORIES

● OPTICAL OPTIONS

- Clear Prismatic Acrylic
- Polycarbonate Lenses
- High Impact Acrylic
- Note: Other lens available upon request

SUFFIX

- PA
- *
- *

● MECHANICAL OPTIONS

- Gasketing

SUFFIX

GSK*

● ELECTRICAL OPTIONS

- Emergency Battery Pack
- External Line Fusing (HLR/GLR)
- Radio Interference Filters
- Night Light

SUFFIX

- BP*
- ELF
- RIF
- NL*

● BALLAST OPTIONS

- Electronic T5
- Electronic T5HO
- Electronic Step Dimming T5HO
- Electronic T8
- Electronic Step Dimming T8

SUFFIX

- E5*
- E5H
- ESDM5H
- E8*
- ESDM8*

● ACCESSORIES

- Fixture Suspension System

CAT. NO.

*

*See appropriate reference page

SPECIFICATIONS

● TYPE

Surface mounted, metal sided deep housing, available in various lengths and widths. Specifically designed to accommodate 2" deep regressed extruded aluminum door frame.

● CONSTRUCTION

20 ga. cold rolled steel welded housing.

● FINISH

Baked white powder coated finish, minimum reflectance 90%, painted after fabrication.

● DOOR FRAME

Heavy wall 2" deep aluminum extrusion. T-hinge, positive spring loaded latch. Two gussets installed in each corner for maximum strength and true miter alignment.

● GASKET

One way polyurethane gasketed standard. More options available.

● OPTICS

Clear prismatic acrylic standard. Extensive variety of lenses, diffusers and louvers available.

● WIRING

120v 60Hz., 277v 60Hz., UNV (universal voltage 120v thru 277v.) or as otherwise specified.

● LABELS

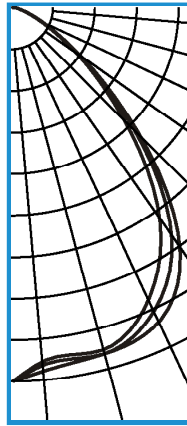
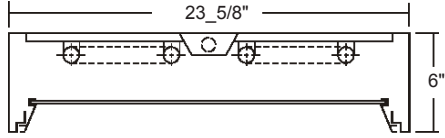
U.L. Listed. Suitable for damp locations.



PHOTOMETRIC DATA

MDH420-2-2RU6-R2W-PA-E8

TEST NO.=LA-T0563
 LAMP TYPE=FB31T8U, 6"
 NO. OF LAMP=2
 LUMENS PER LAMP=2700
 WATTS PER LAMP=31
 BALLAST FACTOR=1
 PHOTOMETRY TYPE=C



CANDLEPOWER

ANGLE	END	45	CROSS
0	1559	1558	1559
5	1478	1494	1520
15	1473	1491	1492
25	1334	1388	1439
35	1055	1142	1202
45	641	702	732
55	304	313	324
65	111	115	122
75	33	35	36
85	10	9	8
90	0	0	0
95	0	0	0
105	0	0	0
115	0	0	0
125	0	0	0
135	0	0	0
145	0	0	0
155	0	0	0
165	0	0	0
175	0	0	0
180	0	0	0

ZONAL LUMEN SUMMARY

DEGREES	LUMENS	% LAMP	% FIXTURE
0-30	1207	22.3	41.6
0-40	1920	35.6	66.2
0-60	2739	50.7	94.5
0-90	2898	53.7	100.0
90-120	0	0.0	0
90-150	0	0.0	0
90-180	0	0.0	0
0-180	2898	53.7	100.0

Lumen Output = 2898 lumens
 Luminaire Efficiency = 53.7%

SPACING CRITERION

ALONG	ACROSS
1.14	1.24

This space is intentionally left blank.

This space is intentionally left blank.

This space is intentionally left blank.

