



MINIATURE CROSS SECTION

MXAST200-1 SERIES



Miniature Angle Staggered Strip Luminaire



- T5/T5HO/T8, Miniature 1-Lamp Angle Staggered Strip Luminaire
- For Flat or Corner Mounting
- 3" Overlap
- 22 Ga. Cold Rolled Steel Housing
- Baked White Polyester Finish
- Screw-On End Caps
- Cover Secured by Two Quarter Turn Fasteners
- Available with:
 - Custom Colors
 - Asymmetrical Reflectors



Photometric Data and IES Files are Available on www.lalighting.com



LOS ANGELES LIGHTING MFG. CO.

10141 OLNEY ST. / EL MONTE, CA 91731

TEL : 626-454-8300 FAX : 626-454-8399

www.lalighting.com

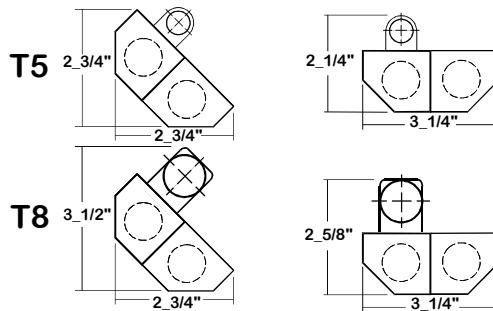
MINIATURE CROSS SECTION - Fluorescent

LED Equivalent Products Available on www.lalighting.com



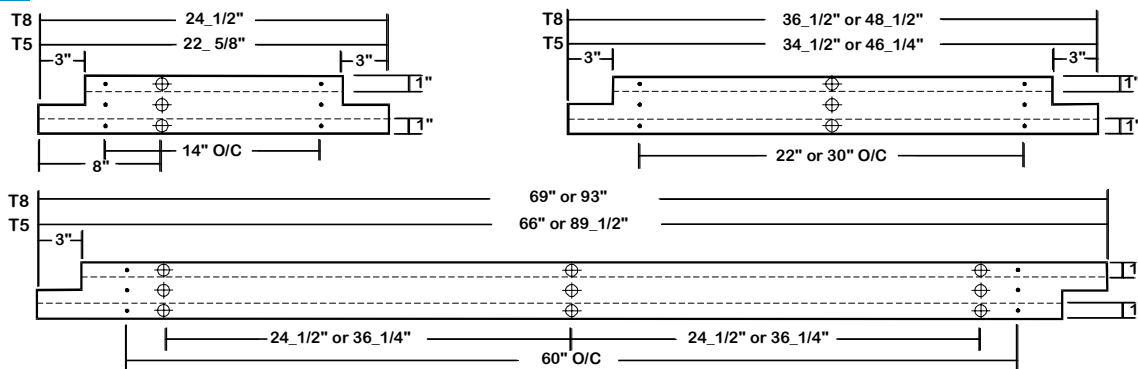
MXAST200-1 SERIES

CROSS SECTION



BACK PLATE

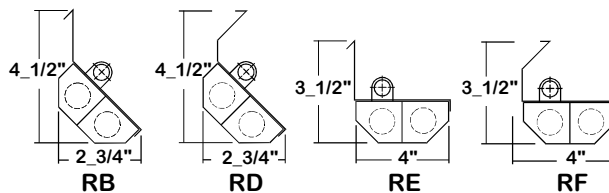
- 3/16" MTG. K.O. T8
- 7/8" K.O. T5



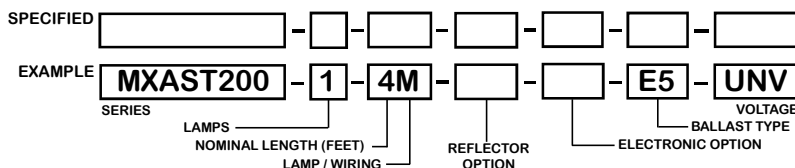
CATALOG NUMBER

	NOMINAL LENGTH	TOTAL LAMPS		NOMINAL LENGTH	TOTAL LAMPS
MXAST200-1-2M	2'	1	MXAST200-1-2R	2'	1
MXAST200-1-3M	3'	1	MXAST200-1-3R	3'	1
MXAST200-1-4M	4'	1	MXAST200-1-4R	4'	1
MXAST200-1-6MT	6'	2	MXAST200-1-6RT	6'	2
MXAST200-1-8MT	8'	2	MXAST200-1-8RT	8'	2

REFLECTOR



ORDERING GUIDE



NOTE: LAMP/WIRING*
 M = Miniature Bi-Pin T5
 R = Medium Bi-Pin T8
 MT = Miniature Bi-Pin T5, Tandem Wiring
 RT = Medium Bi-Pin T8, Tandem Wiring

OPTIONS AND ACCESSORIES

● REFLECTOR OPTIONS

Asymmetrical Reflectors

SUFFIX
RB
RD
RE
RF

● ELECTRICAL OPTIONS

- Emergency Battery Pack
- External Line Fusing (HLR/GLR)
- Plug-In Branch Wiring Connector System

SUFFIX
BP*
ELF
*

● BALLAST OPTIONS

- Electronic Ballast T5
- Electronic Ballast T5HO
- Electronic Ballast T8

SUFFIX
E5*
E5H*
E8*

● ACCESSORIES

- Fixture Suspension System

CAT. No.

*

*See Appropriate Reference Page

SPECIFICATIONS

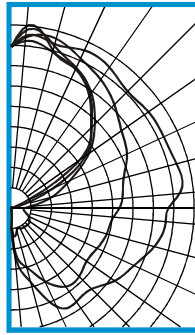
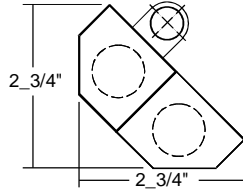
- TYPE: Miniature surface mounted angle staggered strips for installation where shadow free illumination is desired.
- CONSTRUCTION: 22 ga. cold rolled steel housing. (20 ga. housing available as specified.) End plates are fastened to housing by sheet metal screws to assure rigidity.
- FINISH: Baked white polyester finish, minimum reflectance 86%. (Powder coated finish available.)
- REFLECTOR: Optional 24 ga. cold rolled steel asymmetrical reflector. Baked white polyester finish, minimum reflectance 86%.
- WIRING: 120v 60Hz., 277v 60Hz., UNV (universal voltage 120v thru 277v.) or as otherwise specified.
- LABELS: U.L. Listed. Suitable for damp locations.



PHOTOMETRIC DATA

MXAST200-1-4M-E5

TEST NO.=LA-T0689
 LAMP TYPE=F28T5
 NO. OF LAMP=1
 LUMENS PER LAMP=2900
 WATTS PER LAMP=28
 BALLAST FACTOR=1
 PHOTOMETRY TYPE=C



CANDLEPOWER

ANGLE	0	45	90	135	180
0	58	58	58	58	58
5	148	131	83	17	7
15	229	183	65	3	2
25	324	240	67	2	2
35	337	283	67	1	2
45	338	285	69	1	1
55	375	273	66	2	2
65	401	280	56	1	1
75	438	293	42	1	0
85	459	303	36	0	0
90	464	320	38	0	0
95	500	330	56	1	0
105	506	344	122	18	1
115	498	378	189	130	37
125	496	398	279	267	245
135	488	432	349	336	334
145	508	463	414	408	403
155	515	488	457	455	453
165	502	519	496	481	477
175	513	508	530	543	498
180	478	478	478	478	478

ZONAL LUMEN SUMMARY

DEGREES	LUMENS	% LAMP	% FIXTURE
0-30	88	3.0	3.2
0-40	170	5.9	6.3
0-60	390	13.4	14.4
0-90	827	28.5	30.6
90-120	605	20.9	22.4
90-150	1469	50.6	54.3
90-180	1877	64.7	69.4
0-180	2704	93.2	100.0

Lumen Output = 2704 lumens
 Luminaire Efficiency = 93.2%

SPACING CRITERION

ALONG	ACROSS
4.37	1.76

This space is intentionally left blank.

This space is intentionally left blank.

This space is intentionally left blank.

