

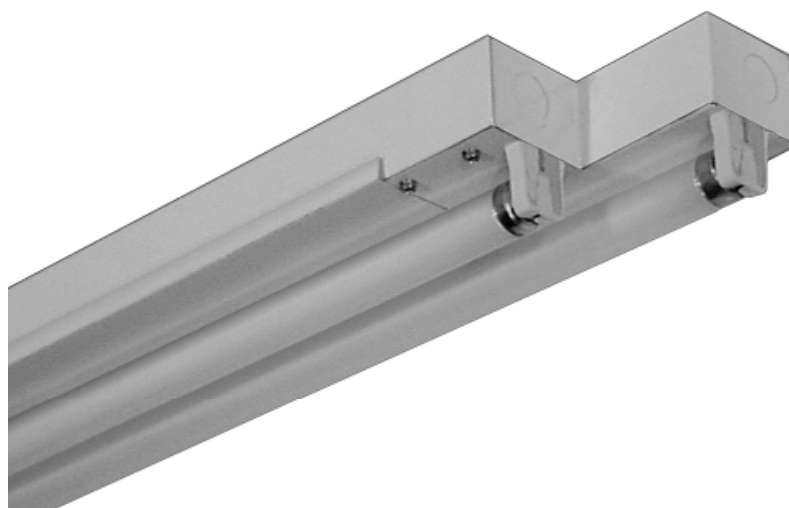


# OPEN COMMERCIAL

## STG100-2 SERIES



### Two-Light Staggered Strip Luminaire



- Two-Light Staggered Strip Luminaire
- 3" Overlap
- 22 Ga. Cold Rolled Steel Housing
- Baked White Polyester Finish
- Screw-On End Caps
- Cover Secured by Two Quarter Turn Fasteners
- Suitable for Damp Locations
- Available with:
  - Fluorescent, LED and LED T8 (Internally Driven)
  - Asymmetrical Reflectors
  - Emergency Battery Pack



Photometric Data and IES Files are Available on [www.lalighting.com](http://www.lalighting.com)

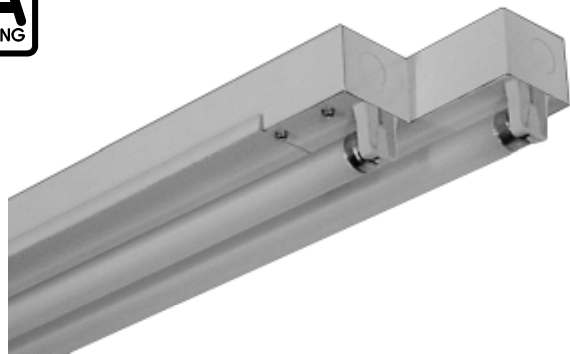


**LOS ANGELES LIGHTING MFG. CO.**

10141 OLNEY ST. / EL MONTE, CA 91731

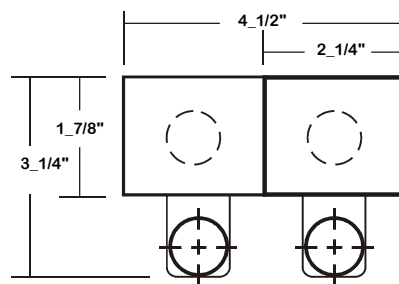
TEL : 626-454-8300 FAX : 626-454-8399

[www.lalighting.com](http://www.lalighting.com)



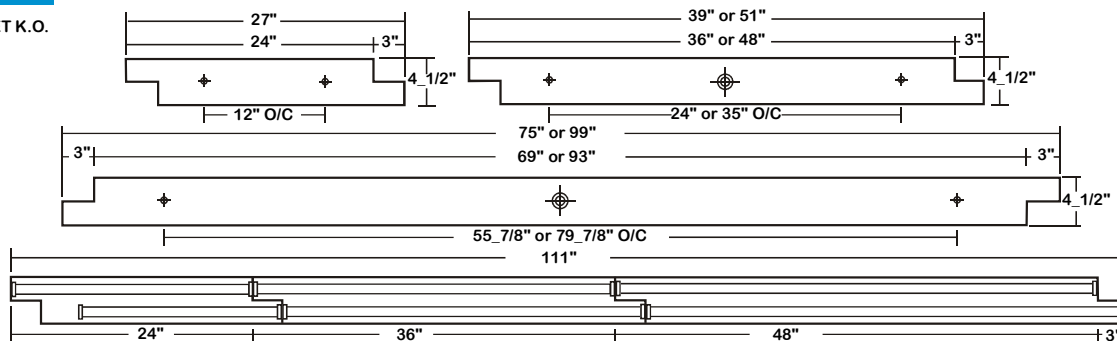
# STG100-2 SERIES

## CROSS SECTION



## BACK PLATE

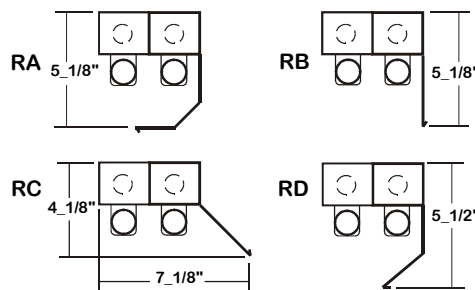
⊕ 7/8" OFFSET K.O.  
⊕ 2" K.O.



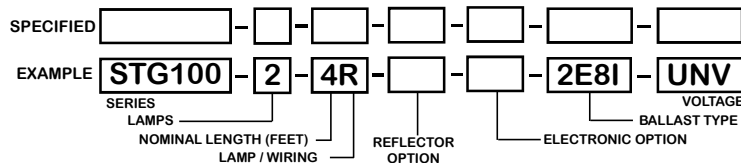
## CATALOG NUMBER

	NOMINAL LENGTH	TOTAL LAMPS		NOMINAL LENGTH	TOTAL LAMPS
STG100-2-2R	2'	2	STG100-2-4S	4'	2
STG100-2-3R	3'	2	STG100-2-6S	6'	2
STG100-2-4R	4'	2	STG100-2-8S	8'	2
STG100-2-6RT	6'	4	STG100-2-16ST	16'	4
STG100-2-8RT	8'	4	STG100-2-4H	4'	2
			STG100-2-6H	6'	2
			STG100-2-8H	8'	2
			STG100-2-16HT	16'	4

## REFLECTOR INFORMATION



## ORDERING GUIDE



**NOTE: LAMP/WIRING\***

R = Medium Bi-Pin T8	RT = Medium Bi-Pin T8, Tandem Wiring
S = Slimline	ST = Slimline, Tandem Wiring
H = High Output (800MA)	HT = High Output, Tandem Wiring

## SR RA

### STYLE

RA - 3-Bend asymmetrical Refl.  
RB - 90° 1-Bend asymmetrical Refl.  
RC - 45° 1-Bend asymmetrical Refl.  
RD - 2-Bend asymmetrical Refl.

### MATERIAL

Leave blank for white steel  
SR - Specular aluminum (95%)

## OPTIONS AND ACCESSORIES

### ELECTRICAL OPTIONS

Emergency Battery Pack  
External Line Fusing (HLR/GLR)  
Radio Interference Filters  
Plug-In Branch Wiring Connector System

### SUFFIX

BP\*  
ELF  
RIF  
PIW

### BALLAST OPTIONS

Electronic T8  
Electronic Step Dimming T8

### SUFFIX

E8\*  
ESDM8\*

\*See Appropriate Reference Page

## SPECIFICATIONS

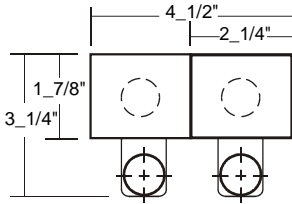
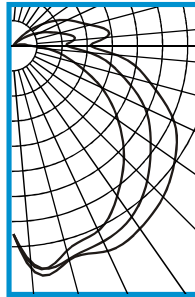
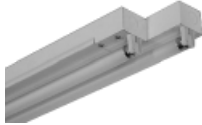
- **TYPE** Surface mounted staggered strips for installation where shadow free illumination is desired.
- **CONSTRUCTION** 22 ga. cold rolled steel housing. (20 ga. housing available as specified) End plates are fastened to housing by sheet metal screws to assure rigidity.
- **FINISH** Baked white polyester finish, minimum reflectance 86%. (Powder coated finish available.)
- **WIRING** 120v 60Hz., 277v 60Hz., UNV (universal voltage 120v thru 277v.) or as otherwise specified.
- **LABELS** U.L. Listed. Suitable for damp locations.



**PHOTOMETRIC DATA**

**STG100-2-4R-E8**

TEST NO.=LA-T0346  
 LAMP TYPE=F032T8  
 NO. OF LAMP=2  
 LUMENS PER LAMP=2900  
 WATTS PER LAMP=32  
 BALLAST FACTOR=1  
 PHOTOMETRY TYPE=C



**CANDLEPOWER**

ANGLE	END	45	CROSS
0	894	894	894
5	1049	1038	1073
15	1003	1045	1050
25	965	1023	1074
35	863	986	1055
45	742	900	1009
55	604	796	937
65	457	687	840
75	295	531	672
85	163	359	488
90	81	252	364
95	60	287	441
105	21	230	380
115	4	150	288
125	0	77	189
135	0	26	92
145	0	1	19
155	0	0	0
165	0	0	0
175	0	0	0
180	0	0	0

**ZONAL LUMEN SUMMARY**

DEGREES	LUMENS	% LAMP	% FIXTURE
0-30	866	14.9	16.7
0-40	1477	25.5	28.5
0-60	2867	49.4	55.4
0-90	4411	76.0	85.2
90-120	659	11.4	12.7
90-150	767	13.2	14.8
90-180	767	13.2	14.8
0-180	5178	89.3	100.0

Lumen Output = 5178 lumens  
 Luminaire Efficiency = 89.3%

**SPACING CRITERION**

ALONG	ACROSS
1.45	1.72

This space is intentionally left blank.

This space is intentionally left blank.

This space is intentionally left blank.

