

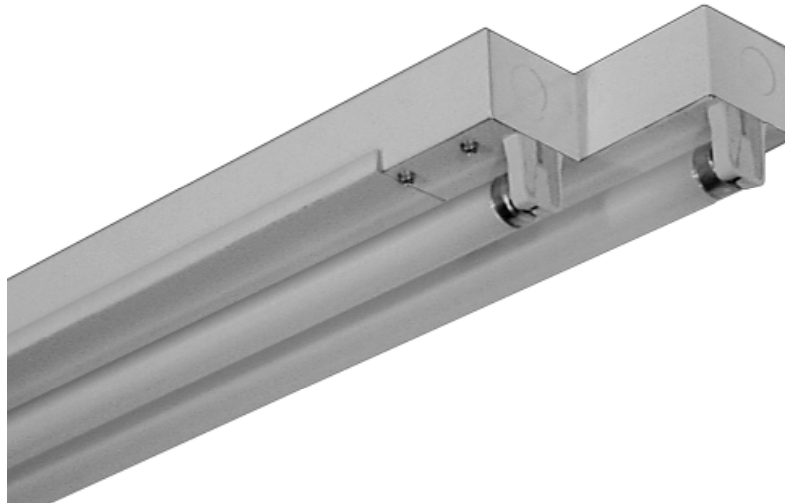


# OPEN COMMERCIAL

## STG100-2 SERIES



### Two-Light Staggered Strip Luminaire



- Two-Light Staggered Strip Luminaire
- 3" Overlap
- 22 Ga. Cold Rolled Steel Housing
- Baked White Polyester Finish
- Screw-On End Caps
- Cover Secured by Two Quarter Turn Fasteners
- Suitable for Damp Locations
- Available with:
  - Fluorescent, LED and LED T8 (Internally Driven)
  - Asymmetrical Reflectors
  - Emergency Battery Pack

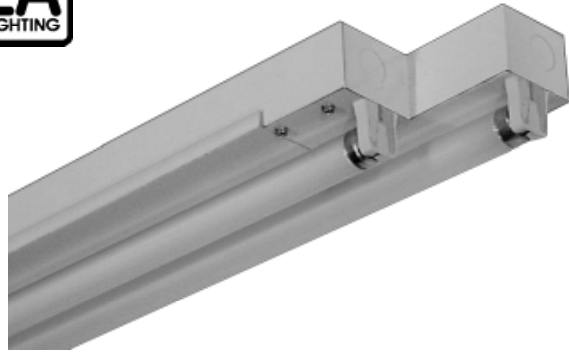


Photometric Data and IES Files are Available on [www.lalighting.com](http://www.lalighting.com)



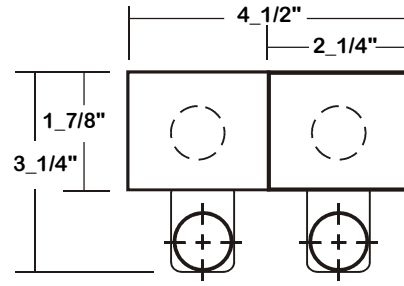
**LOS ANGELES LIGHTING MFG. CO.**  
 10141 OLNEY ST. / EL MONTE, CA 91731  
**TEL : 626-454-8300 FAX : 626-454-8399**  
[www.lalighting.com](http://www.lalighting.com)

# OPEN COMMERCIAL - LED T8 (Internally Driven)



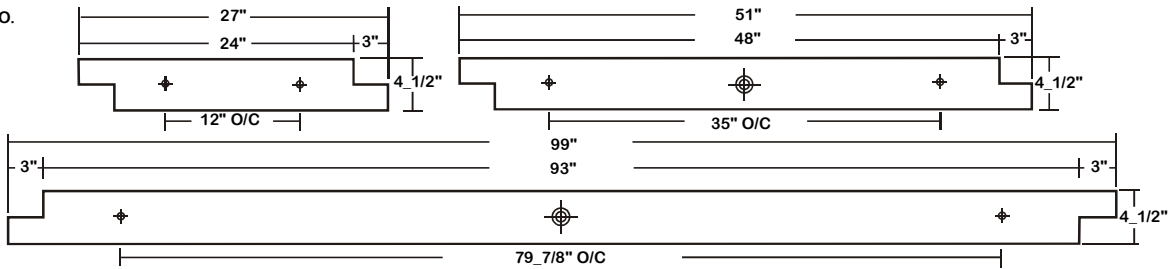
## STG100-2 SERIES - LED T8

### CROSS SECTION



### BACK PLATE

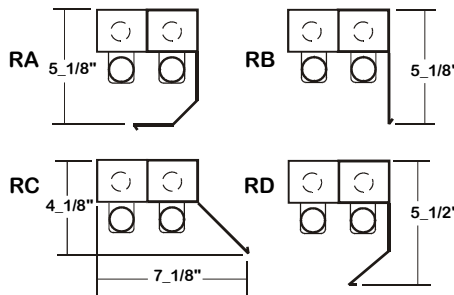
- ⊕ 7/8" OFFSET K.O.
- ⊕ 2" K.O.



### CATALOG NUMBER

CATALOG NUMBER	NOMINAL LENGTH	TOTAL MODULES
STG100-2-2Lx	2'	2
STG100-2-4Lx	4'	2
STG100-2-8LxT	8'	4

### REFLECTOR INFORMATION



### SR RA

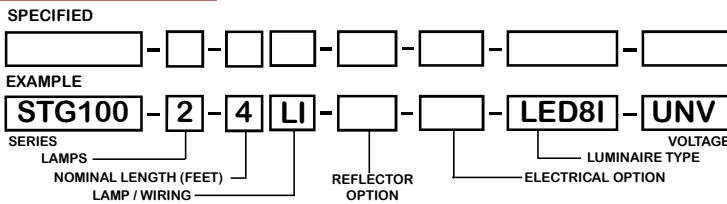
#### STYLE

- RA - 3-Bend asymmetrical Reflector
- RB - 90° 1-Bend asymmetrical Reflector
- RC - 45° 1-Bend asymmetrical Reflector
- RD - 2-Bend asymmetrical Reflector

#### MATERIAL

Leave blank for white steel  
SR - Specular aluminum (95%)

### ORDERING GUIDE



### OPTIONS AND ACCESSORIES

#### ELECTRICAL OPTIONS

LED Luminaire ON/OFF Safety Switch

SUFFIX  
TS2

\*See Appropriate Reference Page

### LAMP / WIRING

**LI = LED T8 internal driver light tube.**  
Both ends powered.  
Shunted sockets used.



**LR = LED T8 internal driver light tube.**  
Single end powered.  
Non-shunted sockets used.



### SPECIFICATIONS

- TYPE** Surface mounted staggered strips for installation where shadow free illumination is desired, for LED T8 internally driven light tube(s)\*\*.
- CONSTRUCTION** 22 ga. cold rolled steel housing. (20 ga. housing available as specified) End plates are fastened to housing by sheet metal screws to assure rigidity.
- FINISH** Baked white polyester finish, minimum reflectance 86%. (Powder coated finish available.)
- WIRING** Operate LED T8 internally driven light tube(s)\*\*.
- LABELS** ETL Listed. Suitable for damp locations.

\*\* Lamp(s) by others.

