

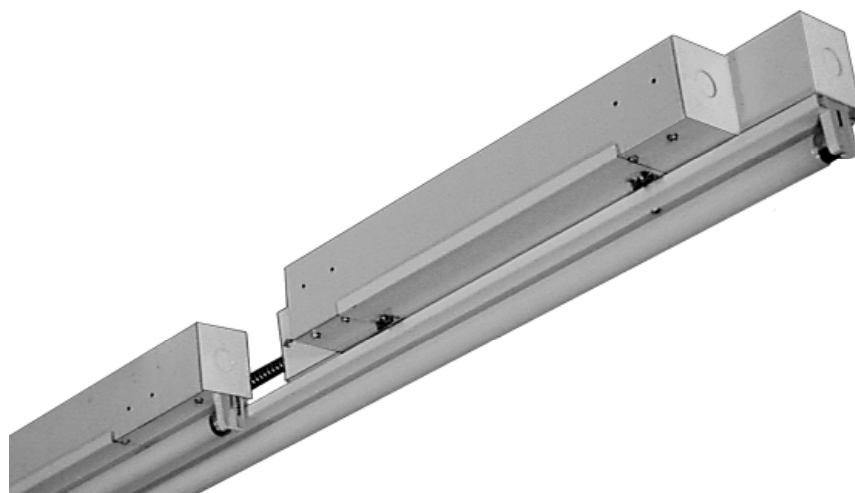


# OPEN COMMERCIAL

## STG100-TELE SERIES



### Staggered Strip Telescoping Luminaire



- Staggered Strip Telescoping Luminaire
- 67" to 90"
- 3" Overlap
- 22 Ga. Cold Rolled Steel Housing
- Baked White Polyester Finish
- Screw-On End Caps
- Cover Secured by Two Quarter Turn Fasteners
- Suitable for Damp Locations
- Available with:
  - Fluorescent, LED and LED T8 (Internally Driven)
  - Asymmetrical Reflectors
  - Emergency Battery Pack



Photometric Data and IES Files are Available on [www.lalighting.com](http://www.lalighting.com)

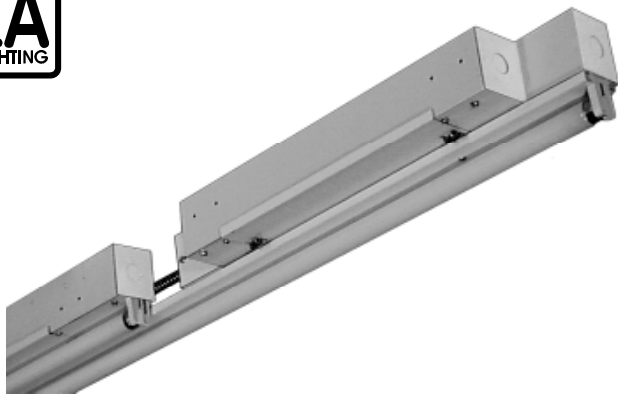


**LOS ANGELES LIGHTING MFG. CO.**

10141 OLNEY ST. / EL MONTE, CA 91731

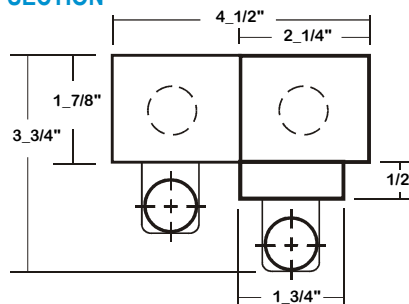
TEL : 626-454-8300 FAX : 626-454-8399

[www.lalighting.com](http://www.lalighting.com)

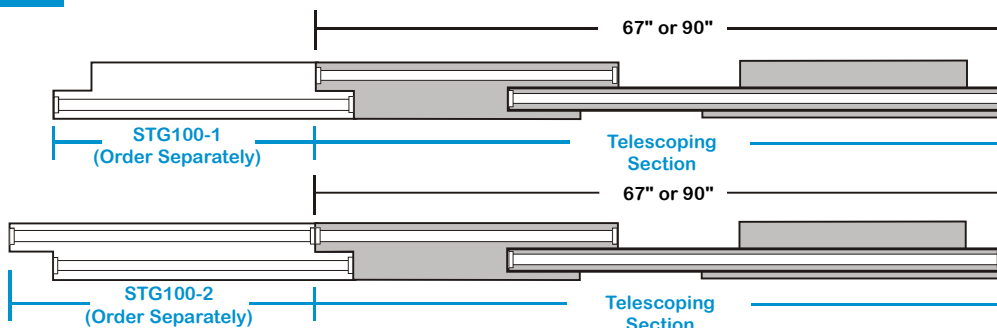


# STG100-TELE SERIES

## CROSS SECTION



## BACK PLATE

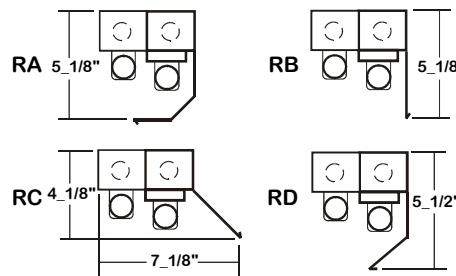


## CATALOG NUMBER

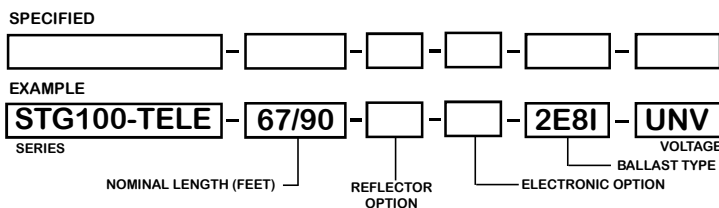
## REFLECTOR INFORMATION

STG100-TELE-67/90 TELESCOPE 67" - 90"

NOMINAL LENGTH



## ORDERING GUIDE



**NOTE: LAMP/WIRING\***

R = Medium Bi-Pin T8	RT = Medium Bi-Pin T8, Tandem Wiring
S = Slimline	ST = Slimline, Tandem Wiring
H = High Output (800MA)	HT = High Output, Tandem Wiring

## SR RA

### STYLE

- RA - 3-Bend asymmetrical Refl.
- RB - 90° 1-Bend asymmetrical Refl.
- RC - 45° 1-Bend asymmetrical Refl.
- RD - 2-Bend asymmetrical Refl.

### MATERIAL

Leave blank for white steel  
SR - Specular aluminum (95%)

## OPTIONS AND ACCESSORIES

### ELECTRICAL OPTIONS

- Emergency Battery Pack
- External Line Fusing (HLR/GLR)
- Radio Interference Filters
- Plug-In Branch Wiring Connector System

### SUFFIX

- BP\*
- ELF
- RIF
- PIW

### BALLAST OPTIONS

- Electronic T8
- Electronic Step Dimming T8

### SUFFIX

- E8\*
- ESDM8\*

\*See Appropriate Reference Page

## SPECIFICATIONS

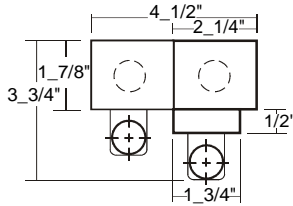
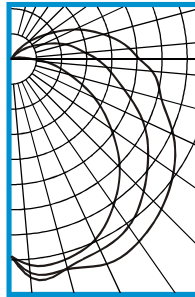
- **TYPE** Surface mounted telescoping section for staggered strip to fill end row.
- **CONSTRUCTION** 22 ga. cold rolled steel housing. (20 ga. housing available as specified) End plates are fastened to housing by sheet metal screws to assure rigidity.
- **FINISH** Baked white polyester finish, minimum reflectance 86%. (Powder coated finish available.)
- **WIRING** 120v 60Hz., 277v 60Hz., UNV (universal voltage 120v thru 277v.) or as otherwise specified.
- **LABELS** U.L. Listed. Suitable for damp locations.



**PHOTOMETRIC DATA**

**STG100-TELE, 67"**

TEST NO.=LA-T0590  
 LAMP TYPE=FO32T8  
 NO. OF LAMP=2  
 LUMENS PER LAMP=2900  
 WATTS PER LAMP=32  
 BALLAST FACTOR=1  
 PHOTOMETRY TYPE=C



**CANDLEPOWER**

ANGLE	END	45	CROSS
0	900	900	900
5	943	1000	978
15	947	987	993
25	908	962	1031
35	814	933	1016
45	700	854	968
55	556	762	903
65	419	660	815
75	276	532	709
85	161	436	646
90	95	390	585
95	59	338	542
105	24	258	435
115	4	159	319
125	0	92	197
135	0	37	109
145	0	6	32
155	0	0	1
165	0	0	0
175	0	0	0
180	0	0	0

**ZONAL LUMEN SUMMARY**

DEGREES	LUMENS	% LAMP	% FIXTURE
0-30	818	14.1	15.6
0-40	1398	24.1	26.7
0-60	2721	46.9	51.9
0-90	4340	74.8	82.7
90-120	778	13.4	14.8
90-150	906	15.6	17.3
90-180	906	15.6	17.3
0-180	5246	90.4	100.0

Lumen Output = 5246 lumens  
 Luminaire Efficiency = 90.4%

**SPACING CRITERION**

ALONG	ACROSS
1.39	1.66

This space is intentionally left blank.

This space is intentionally left blank.

This space is intentionally left blank.

