



OPEN COMMERCIAL

STR200 SERIES 5" Wide Strip Luminaire



- 5" Wide Strip Luminaire
- 22 Ga. Cold Rolled Steel Housing
- Baked White Polyester Finish
- Screw-On End Caps
- Cover Secured by Two Quarter turn Fasteners
- Suitable for Damp Locations
- Available with:
 - Fluorescent, LED and LED T8 (Internally Driven)
 - Low Density
 - Emergency Battery Pack
 - Switch
 - 14 Ga. Wire Guard
 - 12" Coupling For Row Mounting



Photometric Data and IES Files are Available on www.lalighting.com

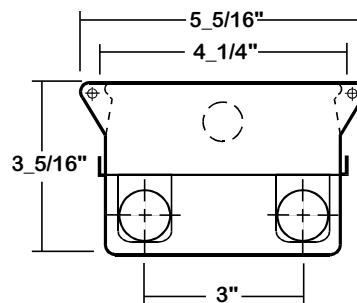


LOS ANGELES LIGHTING MFG. CO.
 10141 OLNEY ST. / EL MONTE, CA 91731
TEL : 626-454-8300 FAX : 626-454-8399
www.lalighting.com

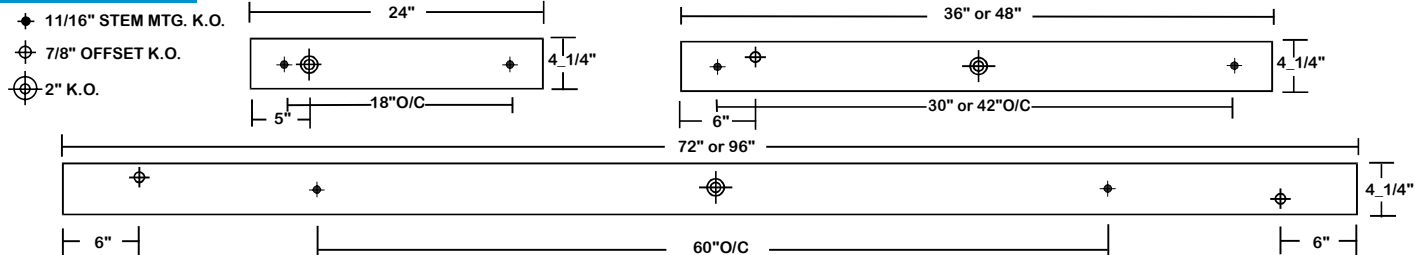


STR200 SERIES

CROSS SECTION



BACK PLATE

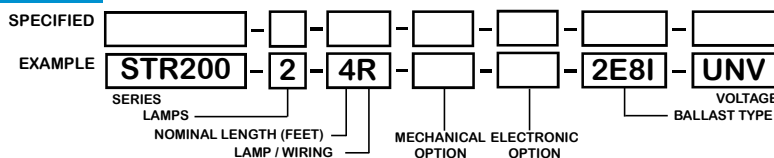


CATALOG NUMBER

NOMINAL LENGTH	TOTAL LAMPS	NOMINAL LENGTH	TOTAL LAMPS	NOMINAL LENGTH	TOTAL LAMPS	NOMINAL LENGTH	TOTAL LAMPS
STR200-1-2M	2' 1	STR200-1-12ST	12' 2	STR200-2-2R	2' 2	STR200-3-6MT	6' 6
STR200-1-3M	3' 1	STR200-1-16ST	16' 2	STR200-2-3R	3' 2	STR200-3-8MT	8' 6
STR200-1-4M	4' 1	STR200-1-4H	4' 1	STR200-2-4R	4' 2	STR200-3-2R*	2' 3
STR200-1-6MT	6' 2	STR200-1-6H	6' 1	STR200-2-6RT	6' 4	STR200-3-3R*	3' 3
STR200-1-8MT	8' 2	STR200-1-8H	8' 1	STR200-2-8RT	8' 4	STR200-3-4R*	4' 3
STR200-1-2R	2' 1	STR200-1-12HT	12' 2	STR200-2-4S	4' 2	STR200-3-6RT*	6' 6
STR200-1-3R	3' 1	STR200-1-16HT	16' 2	STR200-2-6S	6' 2	STR200-3-8RT*	8' 6
STR200-1-4R	4' 1	STR200-2-2M	2' 2	STR200-2-8S	8' 2	STR200-3-4S*	4' 3
STR200-1-6RT	6' 2	STR200-2-3M	3' 2	STR200-2-4H	4' 2	STR200-3-6S*	6' 3
STR200-1-8RT	8' 2	STR200-2-4M	4' 2	STR200-2-6H	6' 2	STR200-3-8S*	8' 3
STR200-1-4S	4' 1	STR200-2-6MT	6' 4	STR200-2-8H	8' 2	STR200-3-4H*	4' 3
STR200-1-6S	6' 1	STR200-2-8MT	8' 4	STR200-3-2M	2' 3	STR200-3-6H*	6' 3
STR200-1-8S	8' 1			STR200-3-3M	3' 3	STR200-3-8H*	8' 3
				STR200-3-4M	4' 3		

*FOR T8 LAMP ONLY

ORDERING GUIDE



NOTE: LAMP/WIRING*

M = Miniature Bi-Pin T5
 MT = Miniature Bi-Pin T5, Tandem Wiring
 R = Medium Bi-Pin T8
 RT = Medium Bi-Pin T8, Tandem Wiring
 S = Slimline
 ST = Slimline, Tandem Wiring
 H = High Output (800MA)
 HT = High Output, Tandem Wiring

OPTIONS AND ACCESSORIES

MECHANICAL OPTIONS

Low Density

SUFFIX

LD

ELECTRICAL OPTIONS

- Emergency Battery Pack
- External Line Fusing (HLR/GLR)
- Radio Interference Filters
- Plug-In Branch Wiring Connector System
- Switch

SUFFIX

- BP*
- ELF
- RIF
- PIW*
- *

BALLAST OPTIONS

- Electronic T5
- Electronic T5HO
- Electronic Step Dimming T5HO
- Electronic T8
- Electronic Step Dimming T8

SUFFIX

- E5*
- E5H
- ESDM5H
- E8*
- ESDM8*

ACCESSORIES

- Wire Guard - 14 Ga.
- 12" Coupling For Row Mounting
- Channel Hangers
- 4" Leg Height V-Hook
- Fixture Suspension System

CAT. NO.

- WG14-STR200
- CMC-200
- CH-200
- V4
- *

*See Appropriate Reference Page

SPECIFICATIONS

TYPE

Open commercial luminaire for installation in commercial, industrial and mass merchandising applications.

CONSTRUCTION

22 ga. cold rolled steel housing. (20 ga. housing available as specified.) End plates are fastened to housing by sheet metal screws to assure rigidity.

FINISH

Baked white polyester finish, minimum reflectance 86%. (Powder coated finish available.)

WIRING

120v 60Hz., 277v 60Hz., UNV (universal voltage 120v thru 277v.) or as otherwise specified.

LABELS

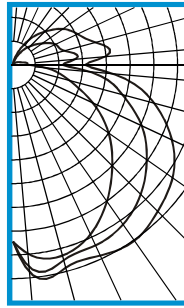
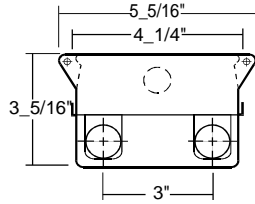
U.L. Listed. Suitable for damp locations.



PHOTOMETRIC DATA

STR200-2-4R-E8

TEST NO.=LA-T0405
 LAMP TYPE=FO32T8
 NO. OF LAMP=2
 LUMENS PER LAMP=2900
 WATTS PER LAMP=32
 BALLAST FACTOR=1
 PHOTOMETRY TYPE=C



CANDLEPOWER

ANGLE	END	45	CROSS
0	841	841	841
5	906	971	998
15	937	958	995
25	884	945	999
35	785	921	1017
45	670	864	979
55	554	779	930
65	416	676	835
75	275	538	695
85	156	365	475
90	80	238	345
95	70	296	438
105	47	257	411
115	32	228	343
125	22	180	298
135	15	132	227
145	5	87	159
155	0	42	85
165	0	12	31
175	0	0	0
180	0	0	0

ZONAL LUMEN SUMMARY

DEGREES	LUMENS	% LAMP	% FIXTURE
0-30	800	13.8	15.1
0-40	1373	23.7	25.8
0-60	2709	46.7	51.0
0-90	4236	73.0	79.7
90-120	749	12.9	14.1
90-150	1053	18.2	19.8
90-180	1076	18.6	20.3
0-180	5312	91.6	100.0

Lumen Output = 5312 lumens
 Luminaire Efficiency = 91.6%

SPACING CRITERION

ALONG	ACROSS
1.41	1.75

This space is intentionally left blank.

This space is intentionally left blank.

This space is intentionally left blank.

