



OPEN COMMERCIAL

STR240 SERIES



Specification Grade Strip Luminaire



- Specification Grade Strip Luminaire
- 22 Ga. Cold Rolled Steel Housing
- Baked White Polyester Finish
- Screw-On End Caps
- Cover Secured by Two Quarter turn Fasteners
- Suitable for Damp Locations
- Available with:
 - Fluorescent, LED and LED Tube (Internally Driven)
 - Emergency Battery Pack
 - Switch
 - 14 Ga. Wire Guard
 - 12" Coupling For Row Mounting



Photometric Data and IES Files are Available on www.lalighting.com



LOS ANGELES LIGHTING MFG. CO.

10141 OLNEY ST. / EL MONTE, CA 91731

TEL : 626-454-8300 FAX : 626-454-8399

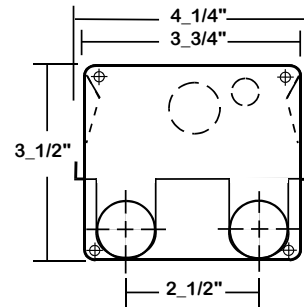
www.lalighting.com

INDUSTRIAL - LED TUBE (Internally Driven)



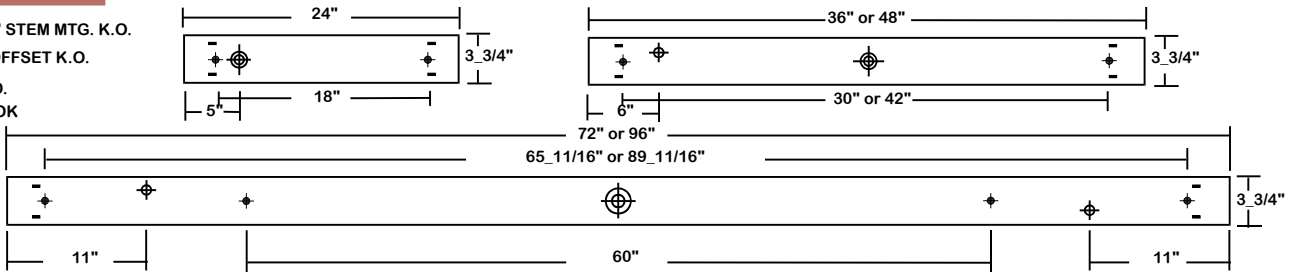
STR240 SERIES - LED TUBE

CROSS SECTION



BACK PLATE

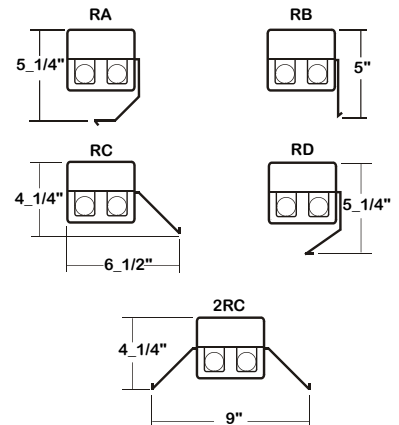
- ◆ 11/16" STEM MTG. K.O.
- ⊕ 7/8" OFFSET K.O.
- ⊕ 2" K.O.
- V-HOOK



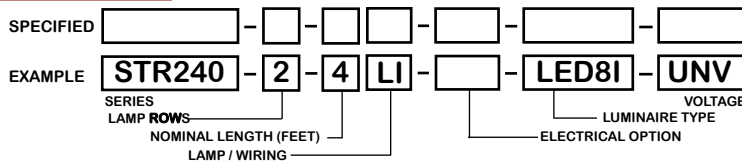
CATALOG NUMBER

	NOMINAL LENGTH	TOTAL TUBES		NOMINAL LENGTH	TOTAL TUBES
STR240-1-2Lx	2'	1	STR240-2-2Lx	2'	2
STR240-1-3Lx	3'	1	STR240-2-3Lx	3'	2
STR240-1-4Lx	4'	1	STR240-2-4Lx	4'	2
STR240-1-6LxT	6'	2	STR240-2-6LxT	6'	4
STR240-1-8LxT	8'	2	STR240-2-8LxT	8'	4

REFLECTOR INFO.



ORDERING GUIDE



LAMP / WIRING

LI = LED internal driver light tube.
Both ends powered.
Shunted sockets used.



LR = LED internal driver light tube.
Single end powered.
Non-shunted sockets used.



OPTIONS AND ACCESSORIES

ELECTRICAL OPTIONS	SUFFIX	ACCESSORIES	CAT. NO.
LED Luminaire ON/OFF Safety Switch	TS2	Wire Guard - 14 Ga. 12" Coupling For Row Mounting Channel Hangers 4" Leg Height V-Hook Fixture Suspension System	WG14-STR240 CMC-STR240 CH-240 V4 *

*See appropriate reference page

SR RA

STYLE

- RA - 3-Bend asymmetrical Refl.
- RB - 90° 1-Bend asymmetrical Refl.
- RC - 45° 1-Bend asymmetrical Refl.
- RD - 2-Bend asymmetrical Refl.
- 2RC - 45° symmetrical Refl.

MATERIAL

- Leave blank for white steel
- SR - Specular aluminum (95%)

SPECIFICATIONS

- **TYPE** Open commercial luminaire for LED internally driven light tube(s)**.
- **CONSTRUCTION** 22 ga. cold rolled steel housing. (20 ga. housing available as specified.) End plates are fastened to housing by sheet metal screws to assure rigidity.
- **FINISH** Baked white polyester finish, minimum reflectance 86%. (Powder coated finish available.)
- **WIRING** Operate LED internally driven light tube(s)**.
- **TUBES** U.L. Listed. Suitable for damp locations.

** Lamp(s) by others.

