



WRAPAROUND

WHO100 SERIES Wraparound Luminaire



- One Light Wraparound Luminaire
- 22 Ga. Cold Rolled Steel Welded Housing
- Powder Coated Finish / Painted After Fabrication
- Lens Secured By Spring Loaded Barrel Latches
- Pendant Mountable
- Suitable for Damp Locations
- Available with:
 - Fluorescent, LED and LED T8 (Internally Driven)
 - Variety of Lenses
 - Emergency Battery Pack



Photometric Data and IES Files are Available on www.lalighting.com

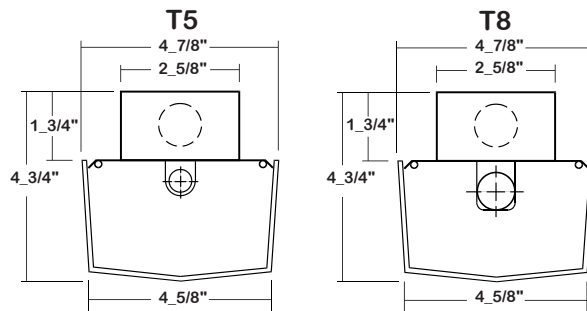


LOS ANGELES LIGHTING MFG. CO.
 10141 OLNEY ST. / EL MONTE, CA 91731
TEL : 626-454-8300 FAX : 626-454-8399
www.lalighting.com



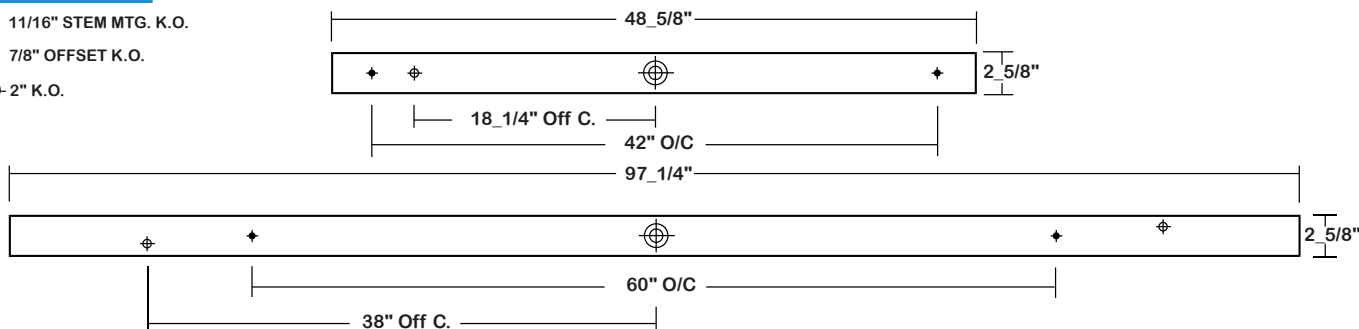
WHO100 SERIES

CROSS SECTION



BACK PLATE

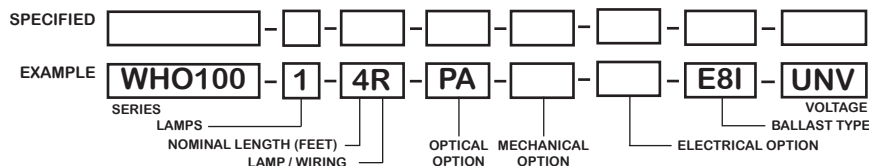
- ◆ 11/16" STEM MTG. K.O.
- ⊕ 7/8" OFFSET K.O.
- ⊕ 2" K.O.



CATALOG NUMBER

	NOMINAL LENGTH	TOTAL LAMPS		NOMINAL LENGTH	TOTAL LAMPS
WHO100-1-4M	4'	1	WHO100-1-4R	4'	1
WHO100-1-8MT	8'	2	WHO100-1-8RT	8'	2

ORDERING GUIDE



NOTE: LAMP/WIR-
 M= Miniature Bi-Pin T5
 MT= Miniature Bi-Pin T5 Tandem Wiring
 R= Medium Bi-Pin T8
 RT= Medium Bi-Pin T8 Tandem Wiring

OPTIONS AND ACCESSORIES

<ul style="list-style-type: none"> ● OPTICAL OPTIONS High Impact Clear Prismatic Acrylic 	SUFFIX DRPA	<ul style="list-style-type: none"> ● ELECTRICAL OPTIONS Emergency Battery Pack External Line Fusing (HLR/GLR) Radio Interference Filters Night Light (Fluor. 7W or 9W) 	SUFFIX BP* ELF RIF NL9	<ul style="list-style-type: none"> ● BALLAST OPTIONS Electronic T5 Electronic T5HO Electronic Step Dimming T5HO Electronic T8 Electronic Step Dimming T8 	SUFFIX E5* E5H ESDM5H E8* ESDM8*
				<ul style="list-style-type: none"> ● ACCESSORIES Fixture Suspension System 	CAT.NO. *

*See Appropriate Reference Page

SPECIFICATIONS

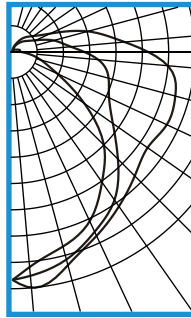
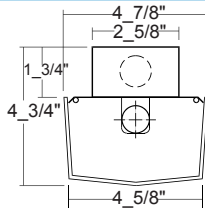
- **TYPE** Surface or pendant mounted luminaire for use in corridors. Spring loaded barrel pin hinge and latch.
- **CONSTRUCTION** 22 ga. cold rolled steel welded housing.
- **FINISH** Baked white powder coated finish, minimum reflectance 90%, painted after fabrication.
- **OPTICS** Available in extruded clear prismatic acrylic or flat white acrylic.
- **WIRING** 120v 60Hz., 277v 60Hz., UNV (universal voltage 120v thru 277v.) or as otherwise specified.
- **LABELS** U.L. Listed. Suitable for damp locations.



PHOTOMETRIC DATA

WHO100-1-4R-PA-E8

TEST NO.=LA-T0243
 LAMP TYPE=FO32T8
 NO. OF LAMP=1
 LUMENS PER LAMP=2900
 WATTS PER LAMP=32
 BALLAST FACTOR=1
 PHOTOMETRY TYPE=C



CANDLEPOWER

ANGLE	END	45	CROSS
0	540	540	540
5	509	532	561
15	475	507	520
25	438	467	478
35	371	424	443
45	305	353	412
55	203	290	392
65	113	252	405
75	68	236	400
85	34	204	369
90	21	171	322
95	18	140	268
105	18	104	188
115	13	67	106
125	10	46	67
135	7	35	51
145	4	25	38
155	3	17	23
165	1	7	13
175	0	4	4
180	0	0	0

ZONAL LUMEN SUMMARY

DEGREES	LUMENS	% LAMP	% FIXTURE
0-30	407	14.0	17.4
0-40	668	23.0	28.5
0-60	1208	41.6	51.5
0-90	1922	66.3	82.0
90-120	334	11.5	14.3
90-150	412	14.2	17.6
90-180	421	14.5	18.0
0-180	2343	80.8	100.0

Lumen Output = 2343 lumens
 Luminaire Efficiency = 80.8%

SPACING CRITERION

ALONG	ACROSS
1.13	1.27

This space is intentionally left blank.

This space is intentionally left blank.

This space is intentionally left blank.

