



WRAPAROUND

WPS200 SERIES



Fully Gasketed Enclosure Luminaire



- Fiberglass Housing and White Celcon Latches
- 22 Ga. Cold Rolled Steel Internal Housing
- Continuous Poured Gasket
- Clear Stippled Acrylic Shallow Diffuser
- Suitable for Damp Locations
- IP Rating :
 - IP65 - Dust tight / Protected Against Water Jetting
 - IP67 - Dust tight / Temporary Submersion Under Water For 30 Minutes
- Available with :
 - Fluorescent, LED and LED T8 (Internally Driven)
 - Stainless Steel Mounting Brackets
 - Stainless Steel Latches
 - Tamper Proof Screws
 - Emergency Battery Pack
 - 14Ga. Wire Guard



Photometric Data and IES Files are Available on www.lalighting.com



LOS ANGELES LIGHTING MFG. CO.

10141 OLNEY ST. / EL MONTE, CA 91731

TEL : 626-454-8300 FAX : 626-454-8399

www.lalighting.com

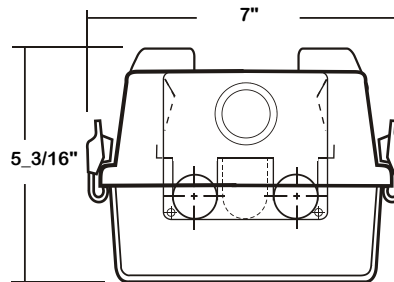
WALL BRACKET - Fluorescent

LED Equivalent Products Available on www.lalighting.com



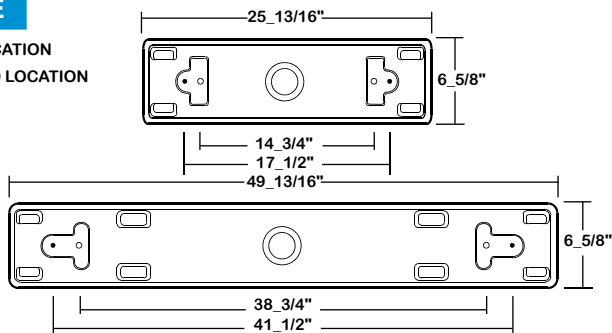
WPS200 SERIES

CROSS SECTION



BACK PLATE

- DRILL POINT LOCATION
- MOUNTING STUD LOCATION



ACCESSORIES

WPS2/SSMB-MOUNTING BRACKET

- Corrosion resistant stainless steel bracket, two brackets per set.
- Fixture snaps securely into place,

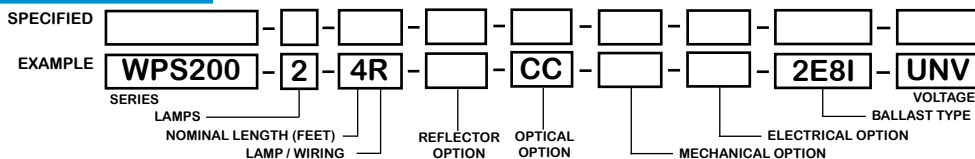


CATALOG NUMBER

	NOMINAL LENGTH	TOTAL LAMPS		NOMINAL LENGTH	TOTAL LAMPS		NOMINAL LENGTH	TOTAL LAMPS
WPS200-1-2M-E5	2'	1	WPS200-2-2M-E5	2'	2	WPS200-3-2M-E5	2'	3
WPS200-1-4M-E5	4'	1	WPS200-2-4M-E5	4'	2	WPS200-3-4M-E5	4'	3
WPS200-1-2M-E5H	2'	1	WPS200-2-2M-E5H	2'	2	WPS200-3-2M-E5H***	2'	3
WPS200-1-4M-E5H	4'	1	WPS200-2-4M-E5H	4'	2	WPS200-3-4M-E5H***	4'	3
WPS200-1-4S	4'	1	WPS200-2-4S	4'	2	WPS200-3-2R**	2'	3
WPS200-1-4H	4'	1	WPS200-2-4H	4'	2	WPS200-3-4R**	4'	3
WPS200-1-2R	2'	1	WPS200-2-2R	2'	2			
WPS200-1-4R	4'	1	WPS200-2-4R	4'	2			

** NOTE : T8 lamp only
***NOTE: For Freezer / Cooler Area Only / 24Hrs Operation

ORDERING GUIDE



NOTE: LAMP/WIR-

- M=Miniature Bi-Pin T5
- MT=Miniature Bi-Pin T5 Tandem Wiring
- R=Medium Bi-Pin T8
- RT=Medium Bi-Pin T8 Tandem Wiring
- S=Slimline
- H=High Output (800MA)

OPTIONS AND ACCESSORIES

<p>● REFLECTOR OPTION</p> <p>Specular aluminum reflector (95%)</p> <p>SUFFIX: SR</p>	<p>● MECHANICAL OPTIONS</p> <p>Wet Location (Two Mtg. Brackets and One Watertight Hub Provided, Four Mtg. Brackets Required for 8' Unit)</p> <p>Stainless Steel Latches</p> <p>Tamper Proof Screws</p>	<p>SUFFIX: WL</p> <p>SSL</p> <p>TP</p>	<p>● BALLAST OPTIONS</p> <p>Electronic T5</p> <p>Electronic T5HO</p> <p>Electronic Step Dimming T5HO</p> <p>Electronic T8</p> <p>Electronic Step Dimming T8</p>	<p>SUFFIX: E5*</p> <p>E5H</p> <p>ESDM5H</p> <p>E8*</p> <p>ESDM8*</p>
<p>● OPTICAL OPTIONS</p> <p>Clear Stippled Acrylic</p> <p>High Impact Clear Stippled Acrylic</p> <p>Clear Prismatic Polycarbonate</p> <p>SUFFIX: CC</p> <p>CCDR</p> <p>PPC2</p>	<p>● ELECTRICAL OPTIONS</p> <p>Emergency Battery Pack</p> <p>External Line Fusing (HLR/GLR)</p> <p>Radio Interference Filters</p> <p>Night Light (Fluor. 7W or 9W)</p> <p>SUFFIX: BP*</p> <p>ELF</p> <p>RIF</p> <p>NL9</p>		<p>● ACCESSORIES</p> <p>Stainless Steel Mounting Bracket</p> <p>Additional Stainless Steel Latch Set for 4' Fixture</p> <p>Additional Stainless Steel Latch Set for 8' Fixture</p> <p>Wire Guard - 14 Ga.</p> <p>CAT. NO. WPS2/SSMB</p> <p>WPS2/SSL4</p> <p>WPS2/SSL8</p> <p>WG14-WPS200</p>	

*See Appropriate Reference Page

SPECIFICATIONS

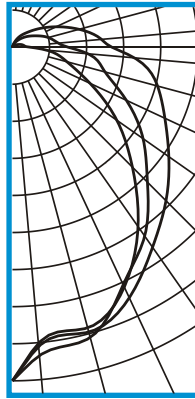
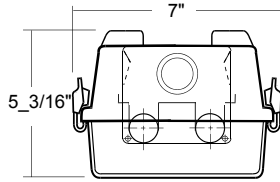
- **TYPE**: Surface mounted, fully enclosed luminaire for installation in damp or wet locations as specified.
- **CONSTRUCTION**: 22 ga. cold rolled steel internal housing (20 ga. housing available as specified), fiberglass External wrap.
- **FINISH**: Baked white polyester finish, minimum reflectance 86%. (Powder coated finish available.)
- **OPTICS**: Clear stippled acrylic shallow lens standard. Secured to fiberglass housing by plastic trunk type latches, stainless steel latches available.
- **WIRING**: UNV (universal voltage 120v thru 277v.) ballasts as available, or as otherwise specified.
- **LABELS**: U.L. Listed. Suitable for damp locations.



PHOTOMETRIC DATA

WPS200-2-4R-CC-E8

TEST NO.=LA-T0556
 LAMP TYPE=F032T8
 NO. OF LAMP=2
 LUMENS PER LAMP=2900
 WATTS PER LAMP=32
 BALLAST FACTOR=1
 PHOTOMETRY TYPE=C



CANDLEPOWER

ANGLE	END	45	CROSS
0	1219	1219	1219
5	1086	1131	1098
15	1061	1098	1077
25	967	957	1010
35	800	842	892
45	620	697	793
55	466	583	697
65	313	459	614
75	206	350	549
85	125	277	447
90	63	203	363
95	45	168	326
105	35	136	252
115	23	98	176
125	15	69	118
135	10	45	76
145	4	27	50
155	1	14	25
165	0	3	7
175	0	0	0
180	0	0	0

ZONAL LUMEN SUMMARY

DEGREES	LUMENS	% LAMP	% FIXTURE
0-30	864	14.9	20.8
0-40	1395	24.0	33.5
0-60	2461	42.4	59.2
0-90	3590	61.9	86.4
90-120	447	7.7	10.8
90-150	559	9.6	13.5
90-180	566	9.8	13.6
0-180	4157	71.7	100.0

Lumen Output = 4157 lumens
 Luminaire Efficiency = 71.7%

SPACING CRITERION

ALONG	ACROSS
1.09	1.17

This space is intentionally left blank.

This space is intentionally left blank.

This space is intentionally left blank.

