

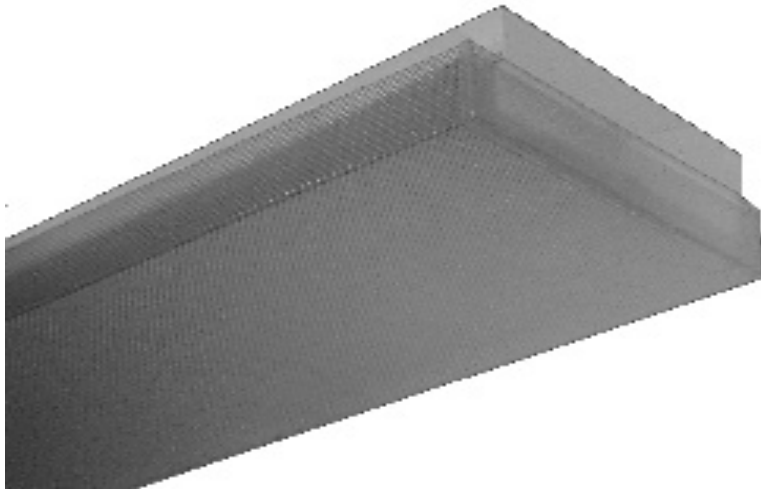


# WRAPAROUND

## WSB200 SERIES



# Square Basket Wraparound Luminaire



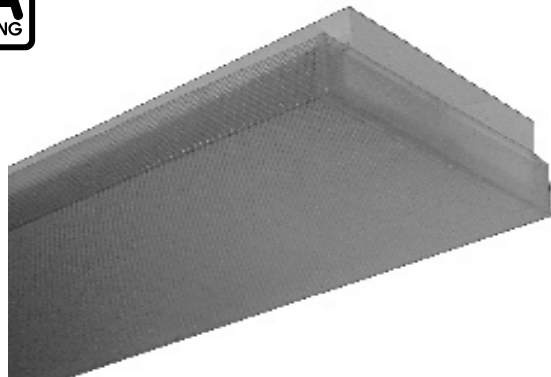
- 16" Width, Square Basket Wraparound Luminaire
- 20 Ga. Cold Rolled Steel Welded Housing
- Powder Coated Finish / Painted After Fabrication
- Lens Secured By Spring Loaded Barrel Latches
- Pendant Mountable
- Suitable for Damp Locations
- Available with:
  - Fluorescent, LED and LED T8 (Internally Driven)
  - Variety of Lenses
  - Emergency Battery Pack



Photometric Data and IES Files are Available on [www.lalighting.com](http://www.lalighting.com)

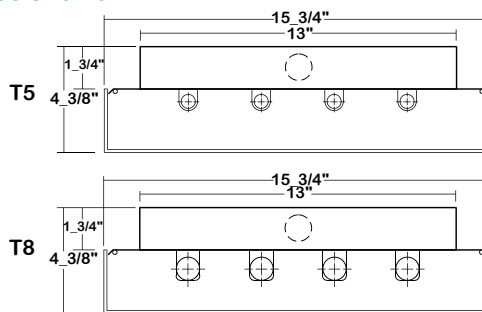


**LOS ANGELES LIGHTING MFG. CO.**  
 10141 OLNEY ST. / EL MONTE, CA 91731  
**TEL : 626-454-8300 FAX : 626-454-8399**  
[www.lalighting.com](http://www.lalighting.com)



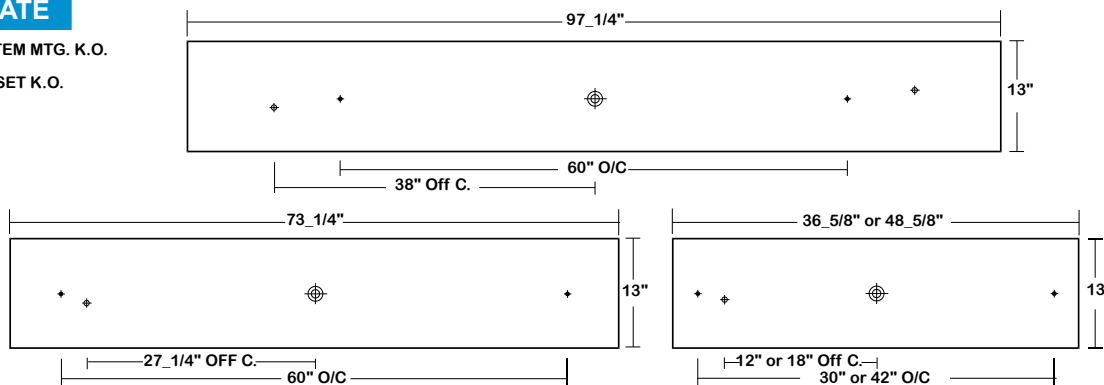
# WSB200 SERIES

## CROSS SECTION



## BACK PLATE

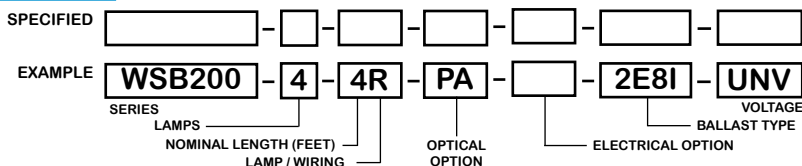
- ◆ 11/16" STEM MTG. K.O.
- ⊕ 7/8" OFFSET K.O.
- ⊕ 2" K.O.



## CATALOG NUMBER

	NOMINAL LENGTH	TOTAL LAMPS		NOMINAL LENGTH	TOTAL LAMPS		NOMINAL LENGTH	TOTAL LAMPS		NOMINAL LENGTH	TOTAL LAMPS
WSB200-2-3M	3'	2	WSB200-3-	6'	6	WSB200-2-3R	3'	2	WSB200-3-6RT	6'	6
WSB200-2-4M	4'	2	6MT	8'	6	WSB200-2-4R	4'	2	WSB200-3-8RT	8'	6
WSB200-2-6MT	6'	4	WSB200-3-8MT	4'	4	WSB200-2-6RT	6'	4	WSB200-4-3R	3'	4
WSB200-2-8MT	8'	4	WSB200-4-3M	6'	8	WSB200-2-8RT	8'	4	WSB200-4-4R	4'	4
WSB200-2-3M	3'	3	WSB200-4-4M	8'	8	WSB200-3-3R	3'	3	WSB200-4-6RT	6'	8
WSB200-2-4M	4'	3				WSB200-3-4R	4'	3	WSB200-4-8RT	8'	8

## ORDERING GUIDE



**NOTE: LAMP/WIR-**  
 M= Miniature Bi-Pin T5  
 MT= Miniature Bi-Pin T5 Tandem Wiring  
 R= Medium Bi-Pin T8  
 RT= Medium Bi-Pin T8 Tandem Wiring

## OPTIONS AND ACCESSORIES

- **OPTICAL OPTIONS**
- Clear Prismatic Acrylic
- Flat White Acrylic
- American Louver® Injection Molded Lens

SUFFIX  
 PA  
 FWA  
 IML

- **ELECTRICAL OPTIONS**
- Emergency Battery Pack
- External Line Fusing (HLR/GLR)
- Radio Interference Filters
- Night Light (Fluor. 7W or 9W)

SUFFIX  
 BP\*  
 ELF  
 RIF  
 NL9

- **BALLAST OPTIONS**
- Electronic T5
- Electronic T5HO
- Electronic Step Dimming T5HO
- Electronic T8
- Electronic Step Dimming T8

SUFFIX  
 E5\*  
 E5H  
 ESDM5H  
 E8\*  
 ESDM8\*

- **ACCESSORIES**
- Fixture Suspension System

CAT.NO.  
 \*

\*See Appropriate Reference Page

## SPECIFICATIONS

- **TYPE**
- **CONSTRUCTION**
- **FINISH**
- **OPTICS**
- **WIRING**
- **LABELS**

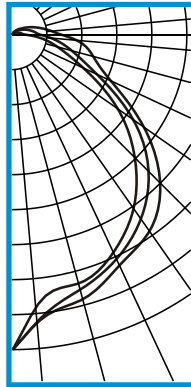
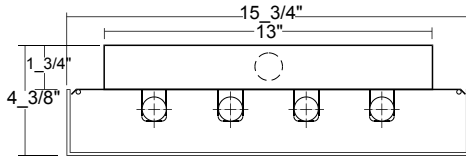
Surface mounted luminaire. Spring loaded hinge and latch. Opens from either side, for easy relamping.  
 22 ga. cold rolled steel welded housing.  
 Baked white powder coated finish, minimum reflectance 90%, painted after fabrication.  
 Clear prismatic acrylic lens with injection molded clear prismatic ends, flat white acrylic diffuser with injection molded white ends, or clear prismatic injection molded lens.  
 120v 60Hz., 277v 60Hz., UNV (universal voltage 120v thru 277v.) or as otherwise specified.  
 U.L. Listed. Suitable for damp locations.



**PHOTOMETRIC DATA**

WSB200-4-4R-PA-E8

TEST NO.=LA-T0258  
 LAMP TYPE=FO32T8  
 NO. OF LAMP=4  
 LUMENS PER LAMP=2900  
 WATTS PER LAMP=32  
 BALLAST FACTOR=1  
 PHOTOMETRY TYPE=C



**CANDLEPOWER**

ANGLE	END	45	CROSS
0	2959	2959	2959
5	2563	1702	2711
15	2417	2475	2569
25	2249	2319	2385
35	1983	2104	2246
45	1619	1803	1957
55	1198	1374	1498
65	722	864	1009
75	429	571	781
85	222	359	602
90	120	257	455
95	91	217	368
105	63	161	251
115	45	110	164
125	31	71	102
135	21	52	70
145	11	35	43
155	7	20	30
165	4	11	16
175	0	2	1
180	0	0	0

**ZONAL LUMEN SUMMARY**

DEGREES	LUMENS	% LAMP	% FIXTURE
0-30	2034	17.5	23.9
0-40	3359	29.0	39.5
0-60	5970	51.5	70.2
0-90	7840	67.6	92.2
90-120	531	4.6	6.2
90-150	650	5.6	7.6
90-180	662	5.7	7.8
0-180	8502	73.3	100.0

Lumen Output = 8502 lumens  
 Luminaire Efficiency = 73.3%

**SPACING CRITERION**

ALONG	ACROSS
1.07	1.17

This space is intentionally left blank.

This space is intentionally left blank.

This space is intentionally left blank.

