

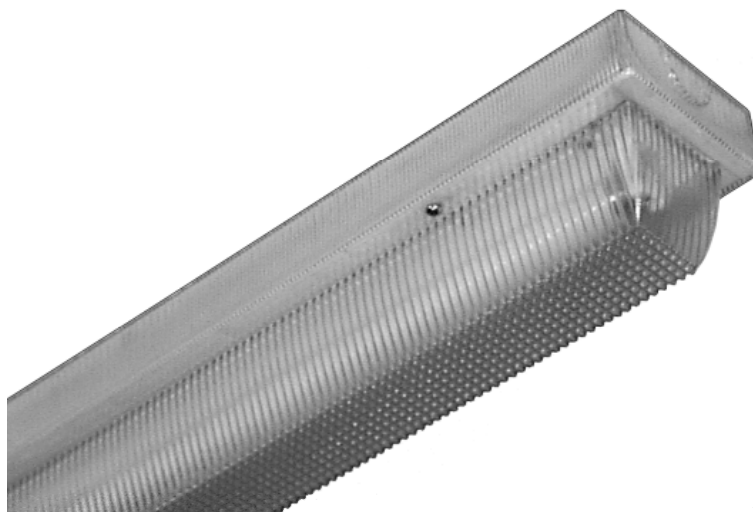


# SECURITY

## WSE400 SERIES



# Security Wraparound Luminaire



- Security Wraparound Luminaire
- 20 Ga. Cold Rolled Steel Housing
- Welded and Painted After Fabrication
- .187 Clear Prismatic Polycarbonate Lens
- Stainless Steel Captive Tamper Proof Screws
- Suitable for Damps Locations
- Available with:
  - Fluorescent, LED and LED T8 (Internally Driven)
  - Emergency Battery Pack



Photometric Data and IES Files are Available on [www.lalighting.com](http://www.lalighting.com)

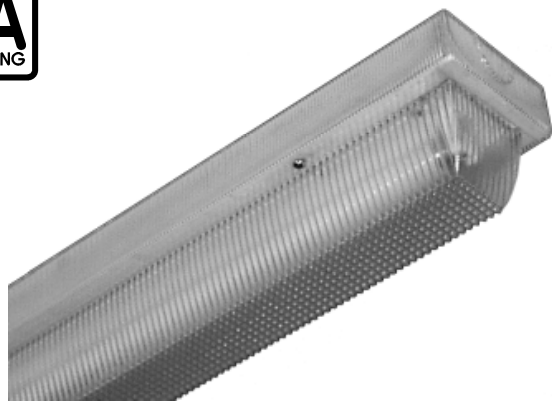


**LOS ANGELES LIGHTING MFG. CO.**

10141 OLNEY ST. / EL MONTE, CA 91731

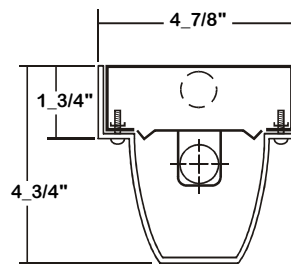
TEL : 626-454-8300 FAX : 626-454-8399

[www.lalighting.com](http://www.lalighting.com)



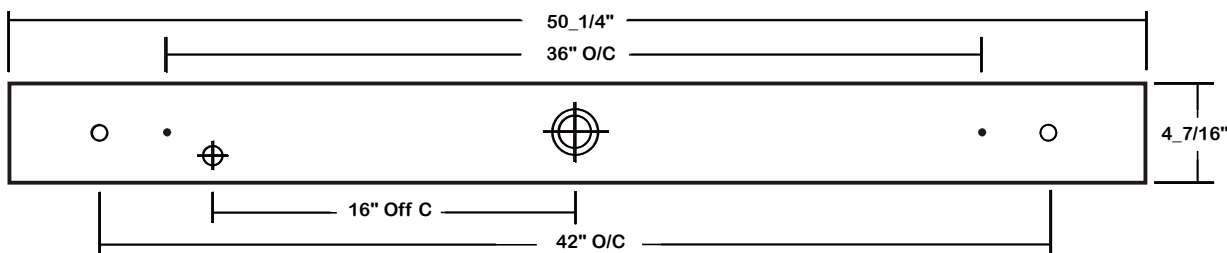
# WSE400 SERIES

## CROSS SECTION



### BACK PLATE

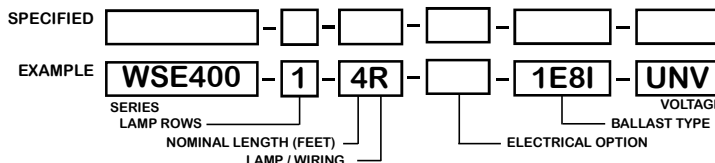
- 3/8" MTG. K.O.
- 11/16" STEM MTG. K.O.
- ⊕ 7/8" K.O.
- ⊕-2" K.O.



### CATALOG NUMBER

	NOMINAL LENGTH	TOTAL LAMPS
WSE400-1-4M	4'	1
WSE400-1-4R	4'	1

### ORDERING GUIDE



**NOTE: LAMP/WIR-** M=Miniature Bi-Pin T5 R=Medium Bi-Pin T8 BT=Compact Twin Tube, Tandem Wiring

### OPTIONS AND ACCESSORIES

- **ELECTRICAL OPTIONS**
- Emergency Battery Pack
- External Line Fusing (HLR/GLR)

SUFFIX  
BP\*  
ELF

- **BALLAST OPTIONS\***

- Electronic T5
- Electronic T5HO
- Electronic T8 Instant Start
- Electronic T8 Rapid Start
- Electronic T8HO

SUFFIX  
xE5  
xE5H  
xE8I  
xE8R  
xE8H

x = Number of Lamps per Ballast

- **ACCESSORIES**
- Fixture Suspension System

CAT. NO.  
\*

\*Refer to [www.lalighting.com/resources](http://www.lalighting.com/resources) for more information

### SPECIFICATIONS

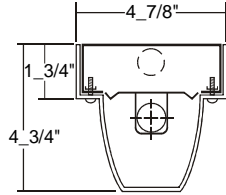
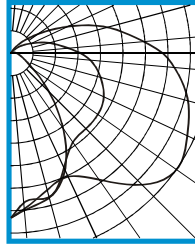
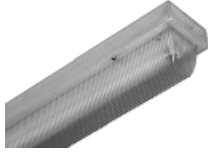
- **TYPE** Wraparound designed for use in public spaces where vandalism may be a problem.
- **CONSTRUCTION** Die formed 20 gauge. C.R.S. Spot welded seams and corners.
- **FINISH** Baked white powder coated finish, minimum reflectance 90%, painted after fabrication.
- **OPTICS** Clear prismatic polycarbonate lens standard, .187 thickness. Lens secured by 6 stainless steel tamper resistant screws (Hex socket with post).
- **WIRING** 120v 60Hz., 277v 60Hz., UNV (universal voltage 120v thru 277v.) or as otherwise specified.
- **LABELS** U.L. Listed. Suitable for damp locations.



**PHOTOMETRIC DATA**

**WSE400-1-4R-E8**

TEST NO.=LA-T0497  
 LAMP TYPE=F032T8  
 NO. OF LAMP=1  
 LUMENS PER LAMP=2900  
 WATTS PER LAMP=32  
 BALLAST FACTOR=1  
 PHOTOMETRY TYPE=C



**CANDLEPOWER**

ANGLE	END	45	CROSS
0	475	475	475
5	455	432	450
15	431	430	407
25	369	362	393
35	260	312	446
45	151	307	537
55	75	306	584
65	43	295	561
75	28	267	528
85	19	229	473
90	16	200	438
95	13	166	384
105	10	115	289
115	7	69	183
125	3	40	99
135	2	18	50
145	0	8	20
155	0	3	7
165	0	0	2
175	0	0	0
180	0	0	0

**ZONAL LUMEN SUMMARY**

DEGREES	LUMENS	% LAMP	% FIXTURE
0-30	335	11.5	13.9
0-40	544	18.7	22.5
0-60	1081	37.3	44.8
0-90	1918	66.2	79.5
90-120	429	14.8	17.8
90-150	492	17.0	20.4
90-180	494	17.0	20.5
0-180	2412	83.2	100.0

Lumen Output = 2412 lumens  
 Luminaire Efficiency = 83.2%

**SPACING CRITERION**

ALONG	ACROSS
1.04	1.49

This space is intentionally left blank.

This space is intentionally left blank.

This space is intentionally left blank.

