



WRAPAROUND

WSM100 SERIES



Square Metal Sided Wrap Luminaire



- 11" Width Square Metal Sided Wrap Luminaire
- 20 Ga. Cold Rolled Steel Housing
- Welded and Painted After Fabrication
- Lens Secured By Torsion Springs
- Pendant Mountable
- Suitable for Damp Locations
- Available with:
 - Fluorescent, LED and LED T8 (Internally Driven)
 - Variety of Lenses
 - Tamper Proof Screws
 - Emergency Battery Pack



Photometric Data and IES Files are Available on www.lalighting.com



LOS ANGELES LIGHTING MFG. CO.

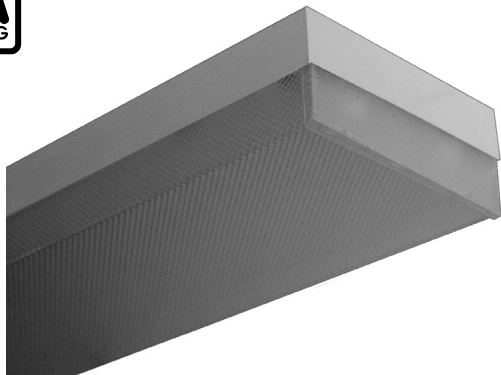
10141 OLNEY ST. / EL MONTE, CA 91731

TEL : 626-454-8300 FAX : 626-454-8399

www.lalighting.com

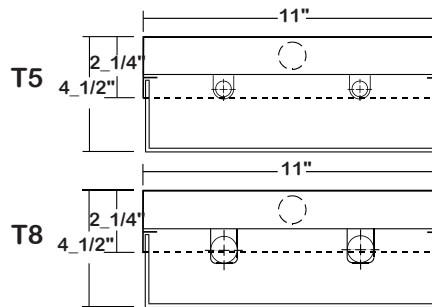
WALL BRACKET - Fluorescent

LED Equivalent Products Available on www.lalighting.com



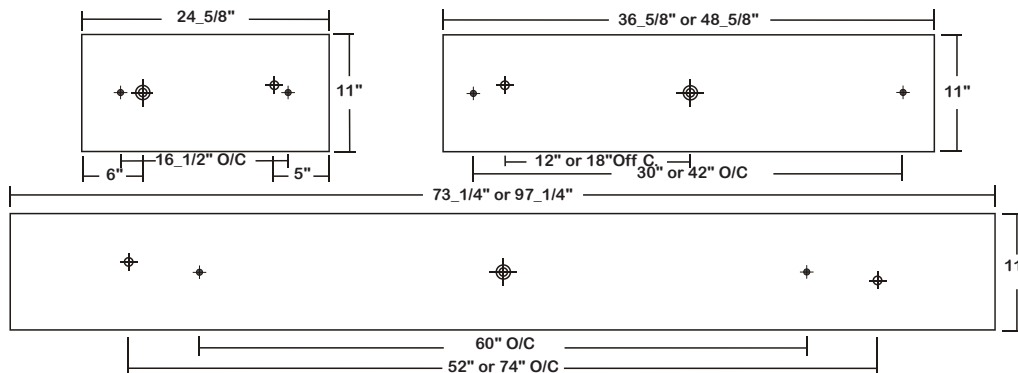
WSM100 SERIES

CROSS SECTION



BACK PLATE

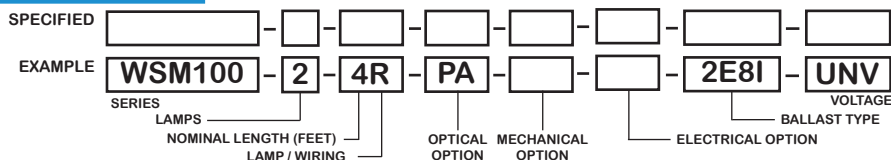
- ◆ 11/16" STEM MTG. K.O.
- ⊕ 7/8" OFFSET K.O.
- ⊕ 2" K.O.



CATALOG NUMBER

	NOMINAL LENGTH	TOTAL LAMPS		NOMINAL LENGTH	TOTAL LAMPS		NOMINAL LENGTH	TOTAL LAMPS		NOMINAL LENGTH	TOTAL LAMPS
WSM100-2-2M	2'	2	WSM100-3-4M	4'	3	WSN100-2-2R	2'	2	WSM100-3-4R	4'	3
WSM100-2-3M	3'	2	WSM100-3-6MT	6'	6	WSM100-2-3R	3'	2	WSM100-3-6RT	6'	6
WSM100-2-4M	4'	2	WSM100-3-8MT	8'	6	WSM100-2-4R	4'	2	WSM100-3-8RT	8'	6
WSM100-2-6MT	6'	4				WSM100-2-6RT	6'	4			
WSM100-2-8MT	8'	4				WSM100-2-8RT	8'	4			

ORDERING GUIDE



NOTE: LAMP/WIR-
 M= Miniature Bi-Pin T5
 MT= Miniature Bi-Pin T5 Tandem Wiring
 R= Medium Bi-Pin T8
 RT= Medium Bi-Pin T8 Tandem Wiring

OPTIONS AND ACCESSORIES

- **OPTICAL OPTIONS**
 - High Impact Clear Prismatic Acrylic
 - American Louver® Injection Molded Lens
 - **MECHANICAL OPTIONS**
 - Tamper Proof Screws (Hex Socket With Post)
 - **ELECTRICAL OPTIONS**
 - Emergency Battery Pack
 - External Line Fusing (HLR/GLR)
 - Radio Interference Filters
 - Night Light (Fluor. 7W or 9W)
 - **BALLAST OPTIONS**
 - Electronic T5
 - Electronic T5HO
 - Electronic Step Dimming T5HO
 - Electronic T8
 - Electronic Step Dimming T8
 - **ACCESSORIES**
 - Fixture Suspension System
- *See Appropriate Reference Page

SPECIFICATIONS

- **TYPE**

Surface mounted shallow wrap around luminaire with extruded lens and injection molded ends. Spring loaded hinge and latch. Opens from either side for easy relamping.
- **CONSTRUCTION**

20 ga. cold rolled steel welded housing.
- **FINISH**

Baked white powder coated finish, minimum reflectance 90%, painted after fabrication.
- **OPTICS**

Clear prismatic acrylic lens with injection molded clear prismatic ends, flat white acrylic diffuser with injection molded white end, or clear prismatic injection molded lens.
- **WIRING**

120v 60Hz., 277v 60Hz., UNV (universal voltage 120v thru 277v.) or as otherwise specified.
- **LABELS**

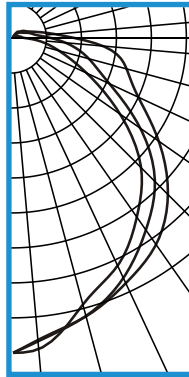
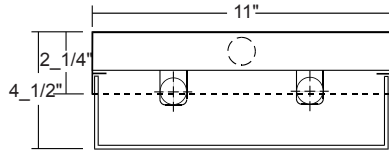
U.L. Listed. Suitable for damp locations.



PHOTOMETRIC DATA

WSM100-2-4R-PA-E8

TEST NO.=LA-T0253
 LAMP TYPE=FO32T8
 NO. OF LAMP=2
 LUMENS PER LAMP=2900
 WATTS PER LAMP=32
 BALLAST FACTOR=1
 PHOTOMETRY TYPE=C



CANDLEPOWER

ANGLE	END	45	CROSS
0	1393	1393	1393
5	1379	1344	1337
15	1213	1268	1271
25	1104	1164	1191
35	957	1028	1108
45	799	886	968
55	570	682	783
65	351	465	608
75	205	344	519
85	102	231	397
90	52	167	271
95	40	118	190
105	28	81	105
115	20	55	69
125	14	42	55
135	11	31	40
145	8	20	34
155	3	15	18
165	3	6	8
175	0	5	7
180	0	0	0

ZONAL LUMEN SUMMARY

DEGREES	LUMENS	% LAMP	% FIXTURE
0-30	1020	17.6	23.2
0-40	1667	28.7	38.0
0-60	2962	51.1	67.5
0-90	4045	69.7	92.2
90-120	267	4.6	6.1
90-150	336	5.8	7.7
90-180	344	5.9	7.8
0-180	4389	75.7	100.0

Lumen Output = 4389 lumens
 Luminaire Efficiency = 75.7%

SPACING CRITERION

ALONG	ACROSS
1.11	1.23

This space is intentionally left blank.

This space is intentionally left blank.

This space is intentionally left blank.

