



WALL BRACKET

BAC200 (4FT) SERIES (2' AND 3' AND 8' AVAILABLE)

ANGLED CURVED LENSED WALL BRACKET LUMINAIRE

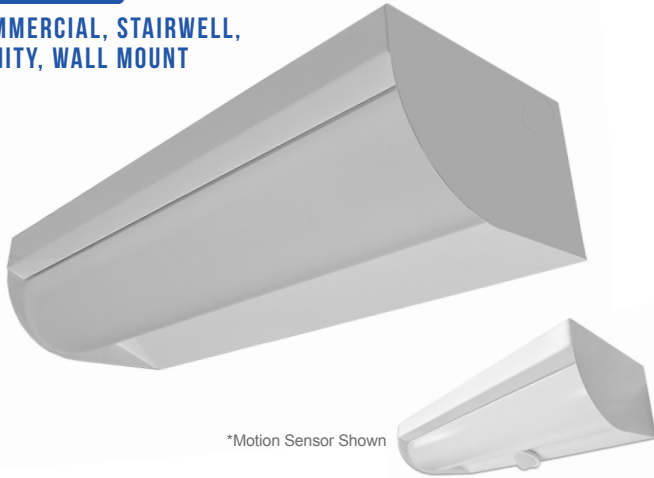


DATE	
JOB	

WWW.LALIGHTING.COM
626-454-8300

APPLICATIONS

COMMERCIAL, STAIRWELL,
VANITY, WALL MOUNT



SPECIFICATIONS

FEATURES

- Wall / ceiling mounted LED luminaire
- Provides front light and down light
- 0-10V dimming driver standard (other dimming types available)
- Controls and sensors available
- Wireless control options (Lutron, EnOcean, ZigBee, etc.)
- Supports California Title 24 compliance
- Suitable for damp locations
- Additional lumen packages and color temperatures available
- Full customization available upon request

CONSTRUCTION

- 22 ga. cold rolled steel welded housing
- Switch available
- 45-degree mounting bracket available

OPTICAL

- Frosted smooth acrylic lens (snap-in lens)
- Lens retainer and tamper proof screws available

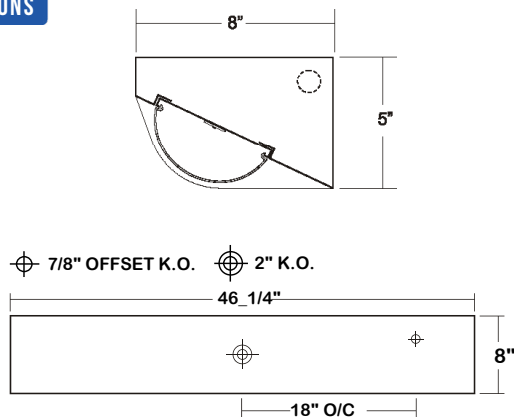
ELECTRICAL

- High efficiency drivers coupled with long-life LEDs
- Service life greater than 50,000 hours (L70)
- Universal voltage 120V through 277V (347V / 480V available)
- Emergency battery pack available

FINISH

- Baked white powder coated finish
- Minimum reflectance 90%
- Painted after fabrication
- Custom colors available

DIMENSIONS



CUSTOM COLORS

BLK - Matte Black

CS - Camaro Silver

BZ - Statuary Bronze

Variety of RAL colors & Axalta/DuPont colors available upon request.

CERTIFICATIONS



ORDERING INFORMATION

EXAMPLE: BAC200-4-4L-1DRDM-UNV-1/840

SERIES	LED LUMEN PACKAGE	NOMINAL LENGTH	COLOR	MECHANICAL	ELECTRICAL	DRIVER	VOLTAGE	# OF LED ROW	CRI / CCT
BAC200		4L					UNV	1	
BAC200 Angled Curved Lensed Wall Bracket LED Luminaire	2 Nom. 2000 Lumens 4 Nom. 4000 Lumens 6 Nom. 6000 Lumens 8 Nom. 8000 Lumens <i>*Additional Lumen Packages Available</i>	4L 4'	BLK Black <i>*Leave Blank for Standard White</i> <i>*Other Colors Available Upon Request</i>	TP Lens Retainer & Tamper Proof Screws <i>*Leave Blank if Not Specified</i>	BPL Emergency Battery Pack MSxx* Motion Sensor PSxx* Pull Switch SDxx* Step Dimming Control <i>*Leave Blank if Not Specified</i> <i>Additional Motion Sensor Options</i> <i>Additional Electrical Options</i>	1DRDM 0-10V One Dimming Driver <i>Additional Driver Options</i>	UNV 120V-277V <i>*Additional Voltages Available</i>	1 One LED Row	835 80+CRI / 3500K Color Temp. 840 80+CRI / 4000K Color Temp. 850 80+CRI / 5000K Color Temp. <i>*Additional Color Temp. Available</i>



Los Angeles Lighting Mfg. Co.

Headquarters
10141 Olney Street
El Monte, CA 91731
Made in the USA

Contact Us
T: 626-454-8300
F: 626-454-8399
www.lalighting.com

Due to continued product improvements and enhancements, Los Angeles Lighting Manufacturing Company reserves the right to alter specifications, dimensions, data, and/or materials without notice. Please visit our website to view the most current information.

Revised 07-31-17

SYSTEM DATA

NOMINAL SIZE	LED LUMEN PACKAGE	CRI / CCT	DELIVERED LUMENS	SYSTEM WATTS	LUMINAIRE EFFICACY	FLUORESCENT / HID EQUIVALENT	IES FILES
4'	2000 lm	840	2167 lm	17.1 W	126.7 lm/W	1-F32T8	*
	4000 lm		4364 lm	33.2 W	131.4 lm/W	2-F32T8, 1-F54T5HO	LA-T2884
	6000 lm		6178 lm	52.1 W	118.6 lm/W	3-F32T8	*
	8000 lm		8140 lm	67.1 W	121.3 lm/W	4-F32T8, 2-F54T5HO, 175 W (MH)	*

NOTE:
 System data above is based on 120V input voltage.
 Actual performance may differ as a result of end-user environment and application.
 This fixture has been tested and listed in accordance with UL Standards. L.A. Lighting certifies that it will operate safely when installed properly, and within an ambient temperature range from -20°C to 40°C.

Additional lumen packages and color temperatures available.

PERFORMANCE DATA

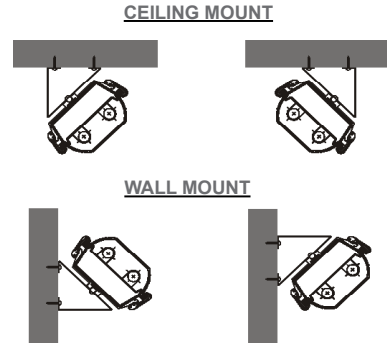
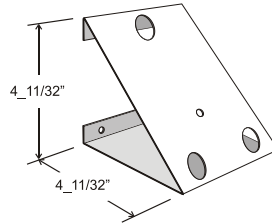
[VIEW PHOTOMETRICS](#)

ACCESSORIES

45MB

- 45-Degree Mounting Bracket
- Designed for mounting lighting fixtures at 45° angle
- Ideal for wall or ceiling mount applications
- 18 ga. electro galvanized steel
- Baked white powder coated finish

Note: Must drill own holes for 45-Degree Mounting Bracket.



Los Angeles Lighting Mfg. Co.

Headquarters
 10141 Olney Street
 El Monte, CA 91731
 Made in the USA

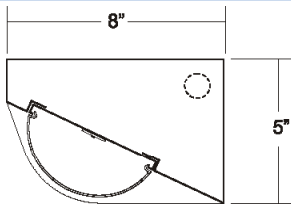
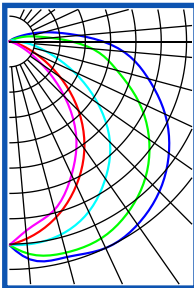
Contact Us
 T: 626-454-8300
 F: 626-454-8399
 www.lalighting.com

Due to continued product improvements and enhancements, Los Angeles Lighting Manufacturing Company reserves the right to alter specifications, dimensions, data, and/or materials without notice. Please visit our website to view the most current information.

PHOTOMETRIC DATA - BAC200

BAC200-4-4L-1DRDM(PHI)-UNV-1S/840(SAMG2)

TEST NO.=LA-T2884
 LED TYPE= 48 LED MODULE
 NO. OF MODULE=2
 SYSTEM WATT (W)=33.2
 CRI ≥ 80
 L70(Hrs.) ≥ 50,000
 PHOTOMETRY TYPE=C



CANDLEPOWER

ANGLE	END	45	CROSS
0	1248	1248	1248
5	1337	1305	1249
15	1367	1340	1225
25	1397	1331	1151
35	1370	1026	1026
45	1301	873	873
55	1194	663	663
65	1054	432	434
75	883	233	233
85	701	104	104
90	574	46	46
95	426	34	34
105	217	25	25
115	84	16	16
125	31	9	9
135	8	6	6
145	0	3	3
155	0	1	1
165	0	0	0
175	0	0	0
180	0	0	0

ZONAL LUMEN SUMMARY

DEGREES	LUMENS	% LAMP	% FIXTURE
0-30	999	21.6	22.9
0-40	1650	35.6	37.8
0-60	2967	64.1	67.9
90-120	248	5.3	5.6
90-150	261	5.6	5.9
90-180	261	5.6	5.9
0-180	4364	94.3	100.0

Luminaire Output= 4364 lumens
 Luminaire Efficacy = 131.4 LPW

SPACING CRITERION

ALONG	ACROSS
1.62	1.29

This Space is intentionally left blank.

This Space is intentionally left blank.

