



BAYLIGHTER®

HB1800 SERIES



Wet Location High-Bay Luminaire



- Wet Location High-Bay Luminaire
- Multi-Level Switching
- Heavy Gauge Cold Rolled Steel Welded Construction
- Powder Coated Finish / Painted After Fabrication
- Suspended Mounting
- Available with:

Fluorescent, LED and LED T8 (Internally Driven)

11ga. Wire Guard

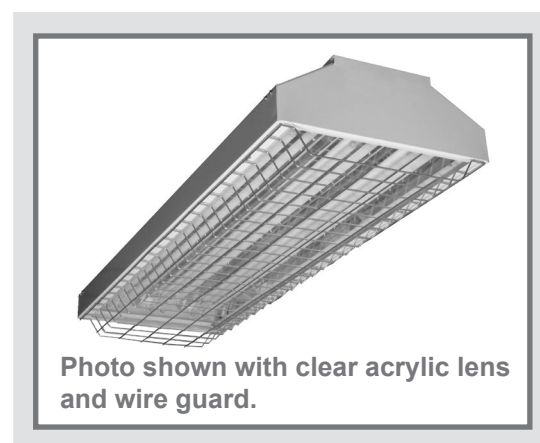
95% Enhanced Specular Aluminum Reflectors

Stainless Steel Tamper Proof Screws

Wet Location Motion Sensor

Emergency Battery Pack

Custom Colors



Photometric Data and IES Files are Available on www.lalighting.com



LOS ANGELES LIGHTING MFG. CO.

10141 OLNEY ST. / EL MONTE, CA 91731

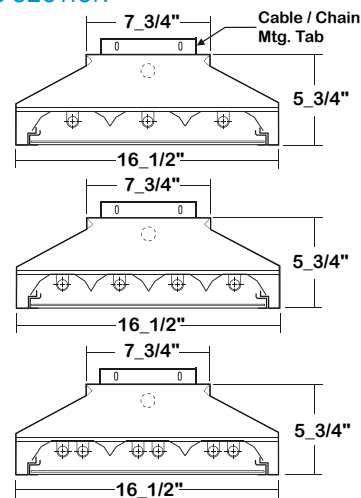
TEL : 626-454-8300 FAX : 626-454-8399

www.lalighting.com

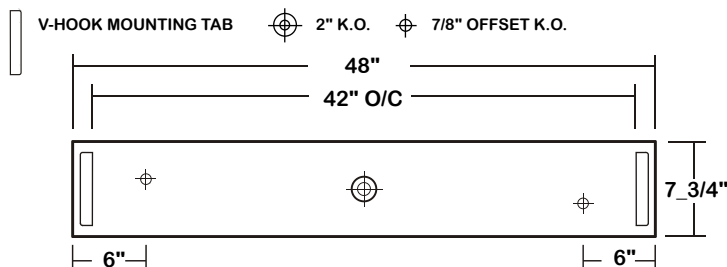


HBI800 SERIES

CROSS SECTION



BACK PLATE



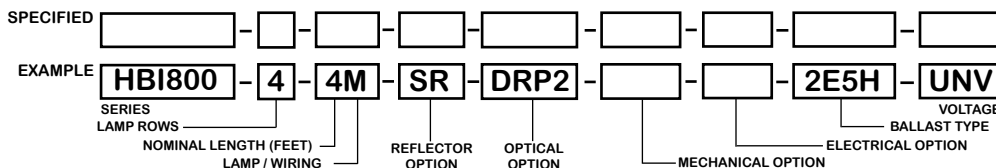
CATALOG NUMBER

	NOMINAL LENGTH	TOTAL LAMPS		NOMINAL LENGTH	TOTAL LAMPS
HBI800-3-4M	4'	3	HBI800-3-4R	4'	3
HBI800-4-4M	4'	4	HBI800-4-4R	4'	4
HBI800-6-4M	4'	6	HBI800-6-4R	4'	6



w/ Wire Guard

ORDERING GUIDE



NOTE: LAMP/WIRING*
 M= Miniature Bi-Pin T5
 R= Medium Bi-Pin T8

OPTIONS AND ACCESSORIES

- REFLECTOR OPTIONS**

Specular Aluminum Reflector (95%)	SUFFIX
White Reflector	SR
	WR
- OPTICAL OPTIONS**

Clear Acrylic	SUFFIX
Clear Prismatic Acrylic	CA
Clear Polycarbonate .125	PA
Clear Prismatic Polycarbonate .125	CPC2
High Impact Clear Prismatic Acrylic .125	PPC2
High Impact Clear Prismatic Acrylic .187	DRP2
	DRP8

- MECHANICAL OPTIONS**

Gasketing	SUFFIX
	GSK*
- ELECTRICAL OPTIONS**

Emergency Battery Pack	SUFFIX
External Line Fusing (HLR/GLR)	BP*
Motion Sensor	ELF
	MS

- BALLAST OPTIONS***

Electronic T5	SUFFIX
Electronic T5HO	xE5
Electronic T8 Instant Start	xE5H
Electronic T8 Rapid Start	xE8
Electronic T8HO	xE8R
	xE8H

x = Number of Lamps per Ballast
- ACCESSORIES**

Wire Guard - 11 Ga.	CAT.NO.
6" Leg Height V-Hook	WG11-HBI800
Y -Toggle -End /	V6
Cable Suspension System	YTCS10
V-Hook / Cable Suspension System	V6CS10
Cable set with V6 hook	

*Refer to www.lalighting.com/resources for more information

SPECIFICATIONS

- TYPE** Wet location medium or high bay gymnasium luminaire, mounting tabs welded on top of fixture housing for cable /chain mount applications.
- CONSTRUCTION** 22 gauge galvanized steel welded housing. Neoprene gasketed. Quarter turn rotary locking lampholders standard.
- DOOR FRAME** 20 gauge galvanized steel door frame, continuous piano hinge and 2 captive screws. Neoprene gasketed.
- OPTICS** Available with various acrylic or polycarbonate lenses.
- REFLECTOR** Enhanced aluminum reflectors standard, 95% reflectance.
- WIRE GUARDS** 11ga. chrome epoxy powder coated.
- FINISH** Baked white powder coated finish , minimum reflectance 90%. Painted after fabrication. Custom colors available.
- WIRING** 120v 60Hz., 277v 60Hz., UNV (universal voltage 120v thru 277v.) or as otherwise specified.
- LABELS** Multiple levels of switching available as specified. UL Listed. Suitable for wet location.

