



SECURITY LED

WSE 100 (2FT) SERIES (4' AND 8' AVAILABLE)

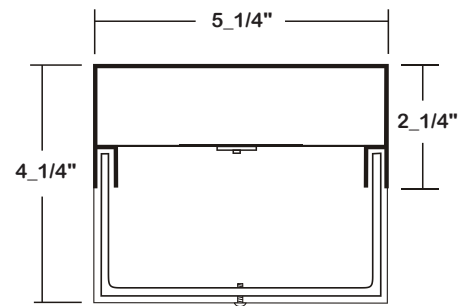
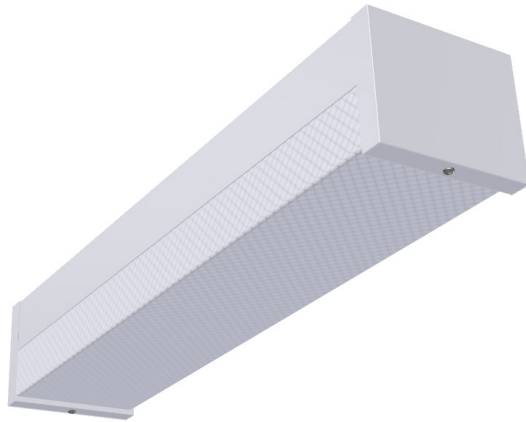
HIGH IMPACT WRAPAROUND SECURITY LUMINAIRE

DATE	
JOB	

WWW.LALIGHTING.COM
626-454-8300

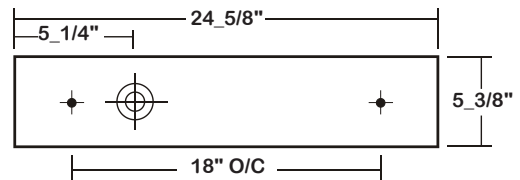
SURFACE / CEILING / WALL MOUNTED SECURITY LED LUMINAIRE

DIMENSIONS



◆ 11/16" STEM MTG. K.O.

⊕ 2" K.O.



APPLICATIONS

- Security, Vandal Resistant Areas, Commercial

FEATURES

- 0-10V dimming driver standard
- Supports California Title 24 compliance

OPTIONS

- Full customization available upon request
- Additional lumen packages and color temperatures available
- Wireless control options available
- Custom colors available
- Variety of lenses available
- Emergency battery pack available
- Tunable white available (2700K-6500K)

SPECIFICATIONS

CONSTRUCTION

- 20 ga. cold rolled steel welded housing
- Spot welded seams and corners
- Lens secured by 2 tamper resistant screws

FINISH

- Baked white powder coated finish / welded and painted after fabrication / minimum reflectance 90%

OPTICAL

- High impact clear prismatic acrylic lens (nominal 0.125) standard

ELECTRICAL

- High efficiency drivers coupled with long-life LEDs
- Service life greater than 50,000 hours (L70)
- Universal voltage 120V through 277V (347V / 480V available)
- Power Factor (PF) ≥ 0.9
- Total Harmonic Distortion (THD) $\leq 20\%$

LISTING

- UL USA and Canada listed / suitable for damp locations

WARRANTY

- 5-Year limited warranty standard. 10-Year limited warranty also available



Los Angeles Lighting Mfg. Co.
Contact Us
T: 626-454-8300 10141 Olney Street
F: 626-454-8399 El Monte, CA 91731
www.lalighting.com Made in the USA



Due to continued product improvements and enhancements, Los Angeles Lighting Manufacturing Company reserves the right to alter specifications, dimensions, data, and/or materials without notice. Please visit our website to view the most current information.

© 2022 LOS ANGELES LIGHTING MANUFACTURING CO. ALL RIGHTS RESERVED.

Revised: 07/14/23



ORDERING INFORMATION

EXAMPLE: WSE100-3-2L-DRP2-BPL1.5-DRDM-UNV-1/840

SERIES	LED LUMEN PACKAGE	EFFICACY	NOMINAL LENGTH	COLOR	OPTICAL	ELECTRICAL	DRIVER	VOLTAGE	# OF LED ROWS	CRI / CCT
WSE100			2L				DRDM	UNV	1	
WSE100 High Impact Wraparound Security LED Luminaire	2 Nom. 2000 Lumens 3 Nom. 3000 Lumens 4 Nom. 4000 Lumens *Additional Lumen Packages Available	(Blank) Standard HE High Efficacy (Only 2000 / 3000 lumens Systems)	2L 2'	(Blank) Standard White BLK Matte Black CS Camaro Silver BZ Statuary Bronze	DRP2 High Impact Clear Prismatic Acrylic Nominal 0.125 PPC2 Clear Prismatic Polycarbonate Nominal 0.125	BPL1.5 1500lm Emergency Battery Pack WLC(LED RU) EnOcean Wireless Control *Leave Blank if Not Specified <u>Additional Electrical Options</u>	DRDM 0-10V Dimming Driver	UNV 120V-277V	1 One LED Row	830 80+CRI / 3000K Color Temp. 835 80+CRI / 3500K Color Temp. 840 80+CRI / 4000K Color Temp. 850 80+CRI / 5000K Color Temp. *Additional Color Temp. Available
Standard options for WSE100 shown above. For additional options, including lumen packages, controls, lenses, switches, finishes, and more, visit www.lalighting.com/resources or contact customer service.										

SYSTEM DATA

THESE ARE THE MOST POPULAR LUMEN PACKAGES. PLEASE CONSULT FACTORY FOR ADDITIONAL SYSTEM DATA.

LED LUMEN PACKAGE	NORMAL AMBIENT TEMPERATURE PRODUCT CODE	DELIVERED LUMENS	SYSTEM WATTS	LUMINAIRE EFFICACY	AMBIENT TEMP.	FLUORESCENT / HID / CFL EQUIVALENT	IES FILES
2000 Lumens (Nominal)	WSE100-2-2L-DRP2-DRDM-UNV-1/840	1863 lm	16.9 W	110.2 lm/W	-20°C / 35°C	2-F17T8, 1-F24T5HO, 1-BX40	LA-T3181
3000 Lumens (Nominal)	WSE100-3-2L-DRP2-DRDM-UNV-1/840	2663 lm	26.5 W	100.6 lm/W	-20°C / 35°C	3-F17T8, 1-BX55	*
4000 Lumens (Nominal)	WSE100-4-2L-DRP2-DRDM-UNV-1/840	3598 lm	26.9 W	133.8 lm/W	-20°C / 35°C	4-F17T8, 2-F24T5HO, 100 W (MH), 2-BX40	*

LED LUMEN PACKAGE	NORMAL AMBIENT TEMPERATURE (HIGH EFFICACY) PRODUCT CODE	DELIVERED LUMENS	SYSTEM WATTS	LUMINAIRE EFFICACY	AMBIENT TEMP.	FLUORESCENT / HID / CFL EQUIVALENT	IES FILES
2000 Lumens (Nominal)	WSE100-2HE-2L-DRP2-DRDM-UNV-1/840	1842 lm	13.0 W	142.1 lm/W	-20°C / 35°C	2-F17T8, 1-F24T5HO, 1-BX40	*
3000 Lumens (Nominal)	WSE100-3HE-2L-DRP2-DRDM-UNV-1/840	2733 lm	19.8 W	137.9 lm/W	-20°C / 35°C	3-F17T8, 1-BX55	*

NOTE:

System data is based on 120V input voltage. Actual performance may differ as a result of end-user environment and application.

This fixture has been tested and listed in accordance with UL Standards. L.A. Lighting certifies that it will operate safely when installed properly, and within an ambient temperature range noted in the system data table.

Additional lumen packages and color temperatures available.



Los Angeles Lighting Mfg. Co.
 Contact Us
 T: 626-454-8300 10141 Olney Street
 F: 626-454-8399 El Monte, CA 91731
 www.lalighting.com Made in the USA



Due to continued product improvements and enhancements, Los Angeles Lighting Manufacturing Company reserves the right to alter specifications, dimensions, data, and/or materials without notice. Please visit our website to view the most current information.

© 2022 LOS ANGELES LIGHTING MANUFACTURING CO. ALL RIGHTS RESERVED.

Revised: 07/14/23



OPTICAL OPTIONS

STANDARD LENSES FOR WSE100

DRP2	High Impact Clear Prismatic Acrylic, Nom. 0.125 OA Thickness, Female Prisms 3/16 Square Base
PPC2	Clear Prismatic Polycarbonate, Nom. 0.125 OA Thickness, Female Prisms 3/16 Square Base

CUSTOM COLORS

BLK - Matte Black

CS - Camaro Silver

BZ - Statuary Bronze

Variety of RAL colors & Axalta/DuPont colors available upon request.



Los Angeles Lighting Mfg. Co.
 Contact Us
 T: 626-454-8300 10141 Olney Street
 F: 626-454-8399 El Monte, CA 91731
 www.lalighting.com Made in the USA



Due to continued product improvements and enhancements, Los Angeles Lighting Manufacturing Company reserves the right to alter specifications, dimensions, data, and/or materials without notice. Please visit our website to view the most current information.

© 2022 LOS ANGELES LIGHTING MANUFACTURING CO. ALL RIGHTS RESERVED.

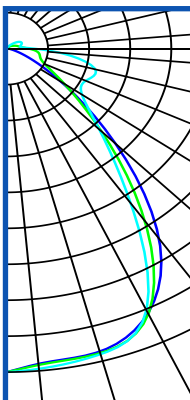
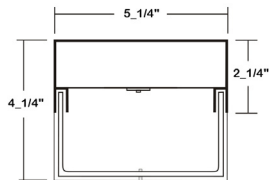
Revised: 7/14/23



PHOTOMETRIC DATA - WSE100 SERIES

WSE100-2-2L-DRP2-DRDM-UNV-1/840

TEST NO.=LA-T3181
 LED TYPE=48 LED MODULE
 NO. OF MODULE=1
 SYSTEM WATT (W)=16.9
 CRI ≥ 80
 L70(Hrs.) ≥ 50,000
 PHOTOMETRY TYPE=C



CANDLEPOWER

ANGLE	END	45	CROSS
0	884	884	884
5	865	868	879
15	858	862	865
25	798	801	790
35	634	574	516
45	367	319	312
55	158	167	219
65	56	100	208
75	17	81	218
85	4	69	125
90	2	52	65
95	1	38	38
115	1	18	38
125	1	12	31
135	0	7	18
145	0	4	9
155	0	2	4
165	0	1	1
175	0	0	0
180	0	0	0

ZONAL LUMEN SUMMARY

DEGREES	LUMENS	% LAMP	% FIXTURE
0-30	696	32.5	37.4
0-40	1058	49.4	56.8
0-60	1473	68.8	79.1
0-90	1761	82.2	94.5
90-120	78.0	3.6	4.1
90-150	100.3	4.6	5.3
90-180	101.3	4.7	5.4
0-180	1863	86.9	100.00

Luminaire Output = 1863 lumens
 Luminaire Efficacy = 110.2 lm/W

SPACING CRITERION

ALONG	ACROSS
1.19	1.12

