



# MINIATURE CROSS SECTION

## MXSTR200 SERIES

### Miniature Strip Luminaire



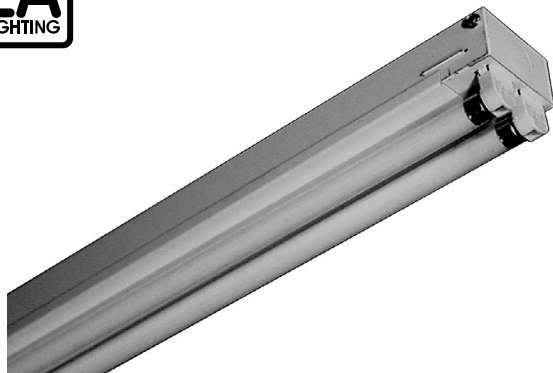
- T5/T5HO, 1 or 2-Lamp Miniature Strip Luminaire
- 22 Ga. Cold Rolled Steel Housing
- Baked White Polyester Finish
- Screw-On End Caps
- Cover Secured by Two Quarter Turn Fasteners
- Available with:
  - Custom Colors
  - Asymmetrical Reflectors



Photometric Data and IES Files are Available on [www.lalighting.com](http://www.lalighting.com)

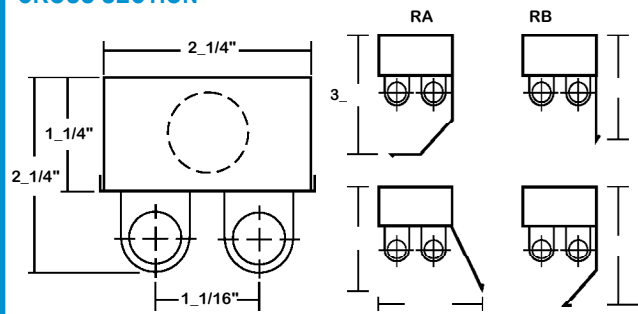


**LOS ANGELES LIGHTING MFG. CO.**  
 10141 OLNEY ST. / EL MONTE, CA 91731  
**TEL : 626-454-8300 FAX : 626-454-8399**  
[www.lalighting.com](http://www.lalighting.com)



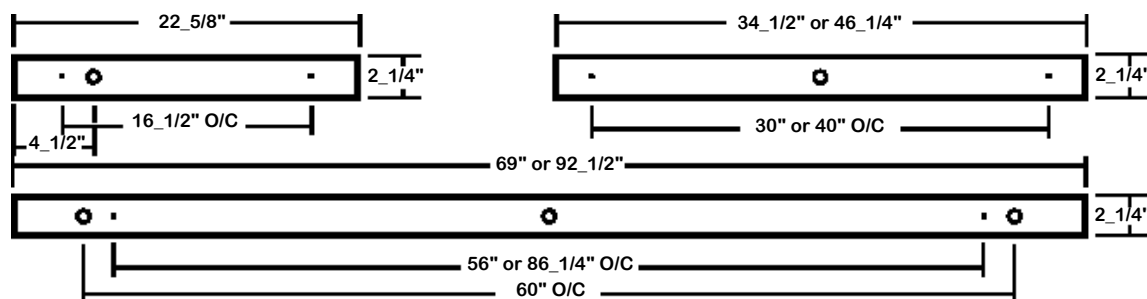
# MXSTR200 SERIES

## CROSS SECTION



## BACK PLATE

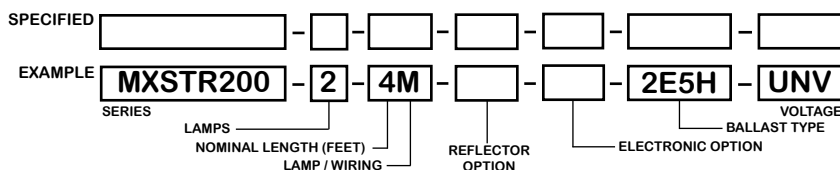
- 3/16" MTG. K.O.
- 7/8" K.O.



## CATALOG NUMBER

	NOMINAL LENGTH	TOTAL LAMPS		NOMINAL LENGTH	TOTAL LAMPS
MXSTR200-1-2M	2'	1	MXSTR200-2-2M	2'	2
MXSTR200-1-3M	3'	1	MXSTR200-2-3M	3'	2
MXSTR200-1-4M	4'	1	MXSTR200-2-4M	4'	2
MXSTR200-1-6MT	6'	2	MXSTR200-2-6MT	6'	4
MXSTR200-1-8MT	8'	2	MXSTR200-2-8MT	8'	4

## ORDERING GUIDE



**NOTE: LAMP/WIRING\***  
 M = Miniature Bi-Pin T5  
 MT = Miniature Bi-Pin T5, Tandem Wiring

## OPTIONS AND ACCESSORIES

REFLECTOR OPTIONS	SUFFIX	ELECTRICAL OPTIONS	SUFFIX	BALLAST OPTIONS	SUFFIX	ACCESSORIES	CAT. No.
Asymmetrical Reflector	RA RB RC RD	Emergency Battery Pack External Line Fusing (HLR/GLR) Plug-In Branch Wiring Connector System	BP* ELF *	Electronic Ballast T5 Electronic Ballast T5HO	E5* E5H*	Fixture Suspension System	*

\*See Appropriate Reference Page

## SPECIFICATIONS

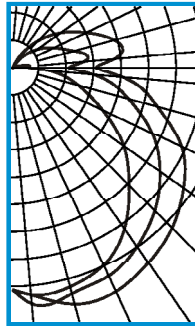
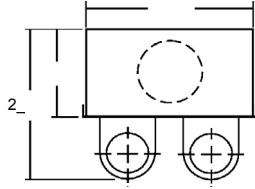
- **TYPE** Miniature open lamp one-light or two-light channel.
- **CONSTRUCTION** 22 ga. cold rolled steel housing. (20 ga. housing available as specified.) End plates are fastened to housing by sheet metal screws to assure rigidity. End plates fold down to become channel couplings.
- **FINISH** Baked white polyester finish, minimum reflectance 86%. (Powder coated finish available.)
- **REFLECTOR** Optional 24 ga. cold rolled steel asymmetrical reflector. Baked white polyester finish, minimum reflectance 86%.
- **WIRING** 120v 60Hz., 277v 60Hz., UNV (universal voltage 120v thru 277v.) or as otherwise specified.
- **LABELS** U.L. Listed. Suitable for damp locations.



**PHOTOMETRIC DATA**

**MXSTR200-2-4M-E5**

TEST NO.=LA-T0617  
 LAMP TYPE=F28T5  
 NO. OF LAMP=2  
 LUMENS PER LAMP=2900  
 WATTS PER LAMP=28  
 BALLAST FACTOR=1  
 PHOTOMETRY TYPE=C



**CANDLEPOWER**

ANGLE	END	45	CROSS
0	946	946	946
5	971	1012	973
15	963	993	1042
25	923	976	1048
35	830	924	1009
45	698	854	959
55	573	762	885
65	417	651	789
75	285	507	633
85	152	342	466
90	74	238	353
95	74	303	431
105	40	273	449
115	20	198	350
125	4	140	260
135	0	81	171
145	0	30	85
155	0	2	19
165	0	0	0
175	0	0	0
180	0	0	0

**ZONAL LUMEN SUMMARY**

DEGREES	LUMENS	% LAMP	% FIXTURE
0-30	831	14.3	16.1
0-40	1410	24.3	27.4
0-60	2731	47.1	53.0
0-90	4192	72.3	81.3
90-120	753	13.0	14.6
90-150	962	16.6	18.7
90-180	965	16.6	18.7
0-180	5157	88.9	100.0

Lumen Output = 5157 lumens  
 Luminaire Efficiency = 88.9%

**SPACING CRITERION**

ALONG	ACROSS
1.36	1.60

This space is intentionally left blank.

This space is intentionally left blank.

This space is intentionally left blank.

