



RETROFIT SOLUTION



RGHL320 (2X2) SERIES (2X4 AVAILABLE)

GHL/MHL/FHL TROFFER LUMINAIRE

DATE	
JOB	

WWW.LALIGHTING.COM
626-454-8300

TYPE

THIS LED RETROFIT SOLUTION WILL EASILY CONVERT OUR EXISTING GHL/MHL/FHL FLUORESCENT FIXTURES TO LED LUMINAIRES



SPECIFICATIONS

FEATURES

- LED retrofit solution for our 2x2 GHL/MHL/FHL troffer fluorescent luminaires
- 0-10V dimming driver standard (other dimming types available)
- Includes easy-to-read installation instructions
- Pre-punched holes to install the necessary hardware and wiring
- Controls and sensors available
- Supports California Title 24 compliance
- Suitable for damp locations
- Additional lumen packages and color temperatures available

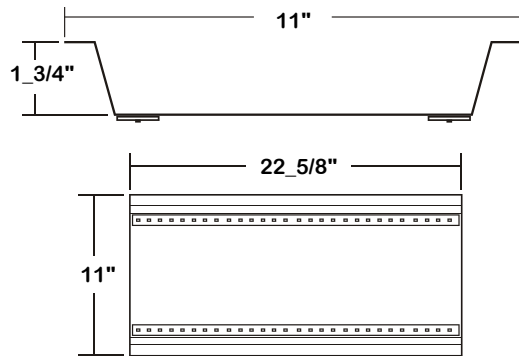
CONSTRUCTION

- 22 ga. cold rolled steel LED cover tray
- LED cover tray to be secured to the host fixture with provided screws

ELECTRICAL

- High efficiency drivers coupled with long-life LEDs
- LEDs for energy efficiency and service life tested at 50,000-51,000 hours (L70), 17,000 hours (L90)
- Universal voltage 120V through 277V (347V / 480V available)
- Emergency battery pack available
- Motion sensor available
- Side wire channel connector available
- LED light engine is pre-wired with a quick connector for easy connection
- Driver-disconnect is provided for disconnecting the electrical supply conductors to the LED driver

DIMENSIONS



FINISH

- Baked white polyester finish
- Painted after fabrication available
- Minimum reflectance 86%

WARRANTY

5-Year limited warranty standard. 10-Year limited warranty also available

ORDERING INFORMATION

EXAMPLE: RGHL320-6-2L-BPL1.5-DRDM-UNV-2/840

RETROFIT SERIES	LED LUMEN PACKAGE	NOMINAL LENGTH	FINISH	ELECTRICAL	DRIVER	VOLTAGE	# OF LED ROW	CRI / CCT
RGHL320		2L				UNV	2	
RGHL320 GHL / MHL / FHL Troffer Fluorescent Fixture to LED Luminaire Retrofit Solution	2 Nom. 2000 Lumens 3 Nom. 3000 Lumens 4 Nom. 4000 Lumens 6 Nom. 6000 Lumens 8 Nom. 8000 Lumens *Additional Lumen Packages Available	2L 2' x 2'	PAF Painted After Fabrication *Leave Blank if Not Specified	BPL1.5 1500lm Emergency Battery Pack MSHPC Motion Sensor High Frequency (Microwave) & Photocell WLC Wireless Control *Leave Blank if Not Specified <u>Additional Motion Sensor Options</u> <u>Additional Electrical Options</u> <u>Additional Wireless Control Options</u>	DRDM 0-10V Dimming Driver <u>Additional Driver Options</u>	UNV 120V-277V *Additional Voltages Available	2 Two LED Rows	835 80+CRI / 3500K Color Temp. 840 80+CRI / 4000K Color Temp. 850 80+CRI / 5000K Color Temp. *Additional Color Temp. Available



Los Angeles Lighting Mfg. Co.
Contact Us
T: 626-454-8300 10141 Olney Street
F: 626-454-8399 EI Monte, CA 91731
www.lalighting.com Made in the USA



Due to continued product improvements and enhancements, Los Angeles Lighting Manufacturing Company reserves the right to alter specifications, dimensions, data, and/or materials without notice. Please visit our website to view the most current information.

© 2022 LOS ANGELES LIGHTING MANUFACTURING CO. ALL RIGHTS RESERVED.

Revised: 07/26/23



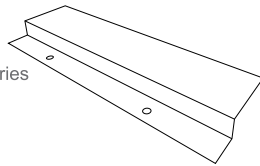
SYSTEM DATA

FIXTURE TYPE	FIXTURE LENS	LED LUMEN PACKAGE	CRI/CCT	DELIVERED LUMENS	SYSTEM WATTS	LUMINAIRE EFFICACY	FLUORESCENT / HID EQUIVALENT	IES FILES
2' X 2' Troffer	Clear Prismatic Acrylic Lens	2000 lm	840	1974 lm	15.8 W	125.2 lm/W	2-F17T8, 1-F24T5HO	*
		3000 lm	835	2806 lm	25.33 W	110.8 lm/W	3-F17T8	LA-T3034-1
			840	2984 lm	25.12 W	118.8 lm/W		*
		3000 lm *	835	2766 lm	25.38 W	109 lm/W		*
			840	2984 lm	25.12 W	118.8 lm/W		*
		4000 lm	840	3770 lm	33.3 W	113.2 lm/W	4-F17T8, F-24T5HO	*
		6000 lm	840	5389 lm	52.4 W	102.9 lm/W	6-F17T8, 3-F24T5HO	*
8000 lm	840	7117 lm	53.7 W	132.7 lm/W	4-F24T5HO, 2-F54T5HO, 175W (MH)	*		

ACCESSORIES

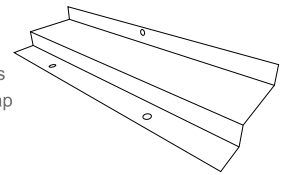
SWCC

• Side Wire Channel Connector for RGL320 Series



SWCCE

• Side Wire Channel Connector for RGL320 Series
 • Additional hole to secure the connector to end cap



Los Angeles Lighting Mfg. Co.
 Contact Us
 T: 626-454-8300
 F: 626-454-8399
 www.lalighting.com
 10141 Olney Street
 El Monte, CA 91731
 Made in the USA



Due to continued product improvements and enhancements, Los Angeles Lighting Manufacturing Company reserves the right to alter specifications, dimensions, data, and/or materials without notice. Please visit our website to view the most current information.

© 2022 LOS ANGELES LIGHTING MANUFACTURING CO. ALL RIGHTS RESERVED.

Revised: 07/26/23

