

# LED T8 - SECURITY

## ASE100 SERIES

### Angled Wall/Ceiling Security Luminaire



- Angled Wall/Ceiling Security Luminaire For LED T8 Internal Driver Light Tube (by Others)
- 20 Gauge Cold Rolled Steel Housing
- Full Length Piano Hinge & Captive Tamper Proof Screws
- Internal Frame Rail / High Impact Lens
- Welded And Painted After Fabrication
- Available with:  
Heavy Duty Safety Switch



**LOS ANGELES LIGHTING MFG. CO.**

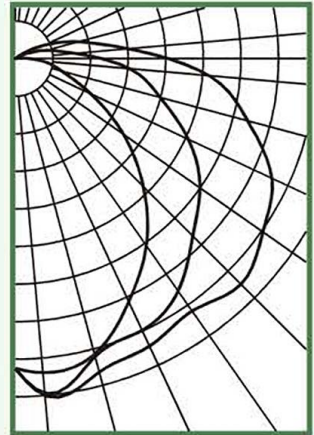
10141 OLNEY ST. / EL MONTE, CA 91731

<http://www.lalighting.com>

**TEL : 626-454-8300 FAX : 626-454-8399**

#### ASE100-2-4L-PA-LED8

TEST NO.=LA-T1828  
LAMP TYPE=LED T8, 4'  
NO. OF LAMP=2  
LUMENS PER LAMP=1300  
WATTS PER LAMP=15  
BALLAST FACTOR=1  
PHOTOMETRY TYPE=C



#### CANDLEPOWER

Angle	End	45	Cross
0	405	405	405
5	442	439	412
15	424	403	400
25	414	391	350
35	402	370	298
45	417	328	236
55	395	294	172
65	370	249	109
75	314	196	63
85	253	150	35
90	200	113	18
95	148	78	8
105	85	42	1
115	42	14	0
125	9	1	0
135	0	0	0
145	0	0	0
155	0	0	0
165	0	0	0
175	0	0	0
180	0	0	0

#### ZONAL LUMEN SUMMARY

DEGREES	LUMENS	% LAMP	% FIXTURE
0-30	336	12.9	18.4
0-40	562	21.6	30.7
0-60	1074	41.3	58.7
0-90	1670	64.2	91.3
90-120	156	6.0	8.5
90-150	158	6.1	8.7
90-180	158	6.1	8.7
0-180	1829	70.3	100.0

Luminaire Efficiency = 70.3%

#### SPACING CRITERION

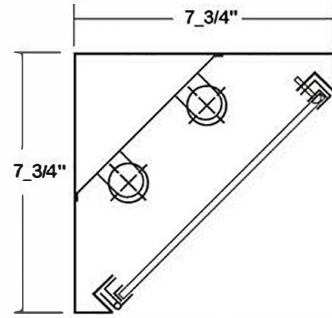
ALONG	ACROSS
1.53	1.19

# LED T8 - SECURITY



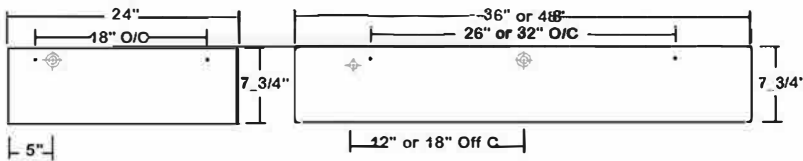
## ASE100 SERIES - LED T8

### CROSS SECTION



### BACK PLATE

- 3/8" K.O. 7/8" OFFSET K.O. 2" K.O.



### SAFETY SWITCH

#### TS2 - LED Luminaire On/Off Safety Switch

- Easily accessible on exterior of wire way.
- Allows individual fixture to be switched ON/OFF during re-lamping or Maintenance.
- Prevents damage to lamp and electrical shock during lamping and re-lamping.
- Allows safe entry to wire way channel where power connector can be disconnected for maintenance to fixture.

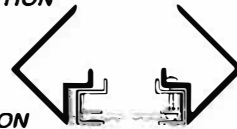


### CATALOG NUMBER

	NOMINAL LENGTH	TOTAL LAMPS		NOMINAL LENGTH	TOTAL LAMPS
ASE100-1-2LI	2'	1	ASE100-2-3LI	3'	2
ASE100-1-2LR	2'	1	ASE100-2-3LR	3'	2
	2'	1		3'	2
ASE100-2-2LI	2'	2	ASE100-1-4LI	4'	1
ASE100-2-2LR	2'	2	ASE100-1-4LR	4'	1
ASE100-2-2LR	2'	2		4'	1
ASE100-1-3LI	3'	1	ASE100-2-4LI	4'	2
ASE100-1-3LR	3'	1	ASE100-2-4LR	4'	2
ASE100-1-3LR	3'	1		4'	2

### DOOR FRAME INFORMATION

#### CROSS SECTION



#### EXPLANATION

1. Continuous Piano Hinge.
2. Two Captive Tamper Proof Screws (Hex Socket With Post).
3. Inner Frame Lens Retainer Rail.

#### FS W

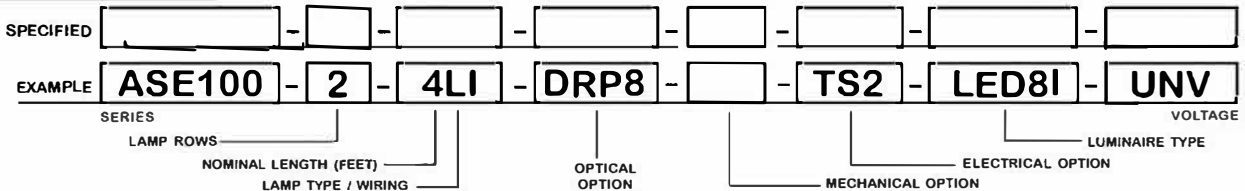
#### FINISHES

- W - White Enamel
- B - Black Enamel
- N - Natural Anodized Aluminum

#### STYLES

- FS - Flat Steel

### ORDERING GUIDE



### LAMP TYPE

**I.I = LED T8 internal driver light tube.**  
Both ends powered.  
Shunted sockets used.



**I.R = LED T8 internal driver light tube.**  
Single end powered.  
Non-shunted sockets used.



### OPTIONS AND ACCESSORIES

#### OPTICAL OPTIONS

- Clear Prismatic Polycarbonate .125
- High Impact Clear Prismatic Acrylic .125
- High Impact Clear Prismatic Acrylic .187
- \*Other Lens Available Upon Request

SUFFIX
PPC2
DRP2
DRP8

#### MECHANICAL OPTIONS

- Gasketing

SUFFIX
GSK

#### ELECTRICAL OPTIONS

- LED Luminaire ON/OFF Safety Switch

SUFFIX
TS2

\*See Appropriate Reference Page

### SPECIFICATIONS

- **TYPE** Surface mounted corner wall/ ceiling fixture for LED T8 internal driver light tube (s)\*\*. Design for use in public areas where vandalism is a problem.
- **CONSTRUCTION** Die formed 20 gauge. C.R.S. Spot welded seams and corners.
- **FINISH** Baked white powder coated finish, minimum reflectance 90%, painted after fabrication. Die formed 20 gauge. C.R.S. Spot welded seams and corners.
- **DOOR FRAME** 20 gauge cold rolled steel continuous piano hinge and 2 captive tamper proof screws (hex socket with post). Inner frame lens retainer rail.
- **OPTICS** Available with .187 clear prismatic high impact acrylic or other impact resistant lenses as specified.
- **WIRING** Operates LED T8 internal driver light tube(s)\*\*.
- **LABELS** UL Listed. Suitable for damp locations

\*\* Lamp(s) by others.

