

# LED T8 - WALL BRACKETS

## BSQ100 SERIES

### Square Wall Bracket Luminaire



- Square Wall Bracket Luminaire For LED T8 Internal Driver Light Tube (by Others)
- Front And Down Light
- 20 Gauge Cold Rolled Steel Housing
- Welded And Painted After Fabrication

- Available With:  
 Heavy Duty Safety Switch  
 Custom Colors



**LOS ANGELES LIGHTING MFG. CO.**

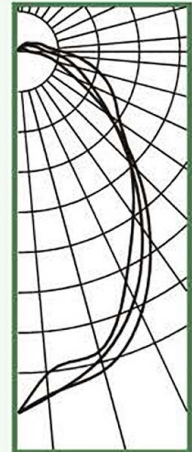
10141 OLNEY ST. / EL MONTE, CA 91731

<http://www.lalighting.com>

**TEL : 626-454-8300 FAX : 626-454-8399**

BSQ100-2-4L-PA-LED8

TEST NO.=LA-T1835  
 LAMP TYPE=LED T8, 4'  
 NO. OF LAMP=2  
 LUMENS PER LAMP=1300  
 WATTS PER LAMP=15  
 BALLAST FACTOR=1  
 PHOTOMETRY TYPE=C



#### CANDLEPOWER

Angle	End	45	Cross
0	815	815	815
5	731	782	778
15	700	717	744
25	572	617	652
35	450	484	516
45	356	355	376
55	279	252	247
65	236	181	142
75	191	135	89
85	132	90	47
90	100	65	26
95	76	54	22
105	58	42	18
115	44	32	14
125	33	25	9
135	28	18	6
145	18	12	4
155	11	8	3
165	7	4	1
175	1	0	0
180	0	0	0

#### ZONAL LUMEN SUMMARY

DEGREES	LUMENS	% LAMP	% FIXTURE
0-30	562	21.6	28.5
0-40	866	33.3	43.9
0-60	1376	52.9	69.7
0-90	1796	69.1	91.0
90-120	132	5.1	6.7
90-150	173	6.7	8.8
90-180	178	6.8	9.0
0-180	1974	75.9	100.0

Luminaire Efficiency = 75.9%

#### SPACING CRITERION

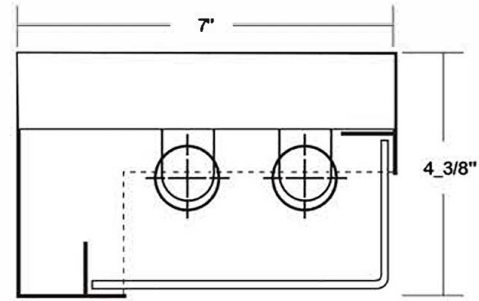
ALONG	ACROSS
0.96	1.09

# LED T8 - WALL BRACKETS



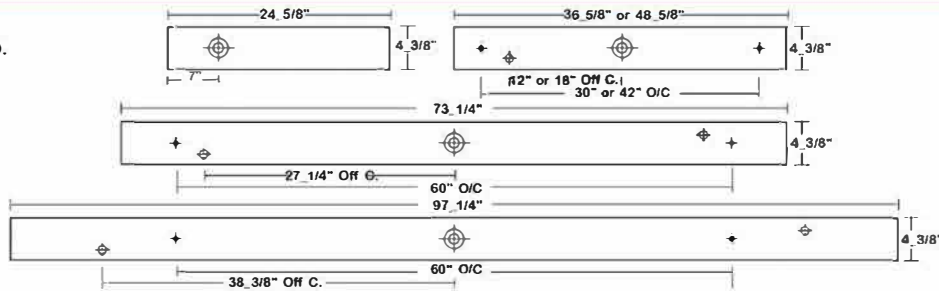
## BSQ100 SERIES - LED T8

### CROSS SECTION



### BACK PLATE

- ◆ 11/16" STEM MTG. K.O.
- ⊕ 7/8" OFFSET K.O.
- ⊕ 2" K.O.



### CATALOG NUMBER

NOMINAL TOTAL LENGTH LAMPS		NOMINAL TOTAL LENGTH LAMPS		NOMINAL TOTAL LENGTH LAMPS	
BSQ100-1-2LI	2' 1	BSQ100-1-6LIT	6' 2	BSQ100-2-3LI	3' 2
BSQ100-1-2LR	2' 1	BSQ100-1-6LRT	6' 2	BSQ100-2-3LR	3' 2
BSQ100-1-2LO	2' 1	BSQ100-1-6LOT	6' 2	BSQ100-2-3LO	3' 2
BSQ100-1-3LI	3' 1	BSQ100-1-8LIT	8' 2	BSQ100-2-4LI	4' 2
BSQ100-1-3LR	3' 1	BSQ100-1-8LRT	8' 2	BSQ100-2-4LR	4' 2
BSQ100-1-3LO	3' 1	BSQ100-1-8LOT	8' 2	BSQ100-2-4LO	4' 2
BSQ100-1-4LI	4' 1	BSQ100-2-2LI	2' 2	BSQ100-2-6LIT	6' 4
BSQ100-1-4LR	4' 1	BSQ100-2-2LR	2' 2	BSQ100-2-6LRT	6' 4
BSQ100-1-4LO	4' 1	BSQ100-2-2LO	2' 2	BSQ100-2-6LOT	6' 4
				BSQ100-2-8LIT	8' 4
				BSQ100-2-8LRT	8' 4
				BSQ100-2-8LOT	8' 4

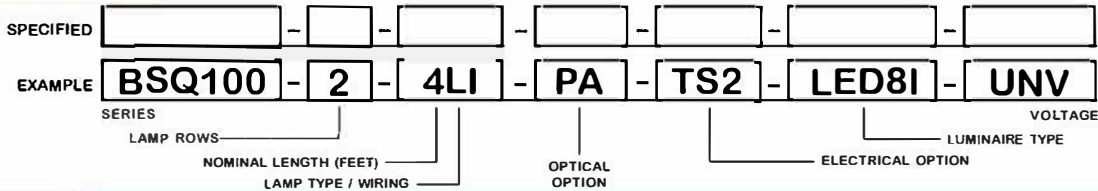
### SAFETY SWITCH

#### TS2 - LED Luminaire On/Off Safety Switch



- Easily accessible on exterior of wire way.
- Allows individual fixture to be switched ON/OFF during re-lamping or Maintenance.
- Prevents damage to lamp and electrical shock during lamping and re-lamping.
- Allows safe entry to wire way channel where power connector can be disconnected for maintenance to fixture.

### ORDERING GUIDE



### LAMP TYPE

**LI = LED T8 internal driver light tube.**  
Both ends powered.  
Shunted sockets used.



**LR = LED T8 internal driver light tube.**  
Single end powered.  
Non-shunted sockets used.



**LO = LED T8 internal driver light tube.**  
Both ends powered, one wire connects lampholders together from each side.  
Non-shunted sockets used.



### OPTIONS AND ACCESSORIES

#### COLOR OPTIONS

- White Standard
- Black
- Note: Other Colors Available

#### SUFFIX

BLK

#### OPTICAL OPTIONS

- Clear Prismatic Acrylic
- Flat White Acrylic

#### SUFFIX

PA  
FWA

#### ELECTRICAL OPTIONS

- LED Luminaire ON/OFF Safety Switch
- Switch

#### SUFFIX

TS2  
\*

\*See Appropriate Reference Page

### SPECIFICATIONS

- **TYPE** Wall mounted luminaire with front and down light for LED T8 internal driver light tube (s)\*\*.
- **CONSTRUCTION** 20 ga. cold rolled steel welded housing.
- **FINISH** Baked white powder coated finish, minimum reflectance 90%, painted after fabrication.
- **OPTICS** Clear prismatic acrylic lens standard. Extensive variety of lenses and diffusers available.
- **WIRING** Operates LED T8 internal driver light tube(s)\*\*.
- **LABELS** U.L. Listed. Suitable for damp locations.

\*\* Lamp(s) by others.

