

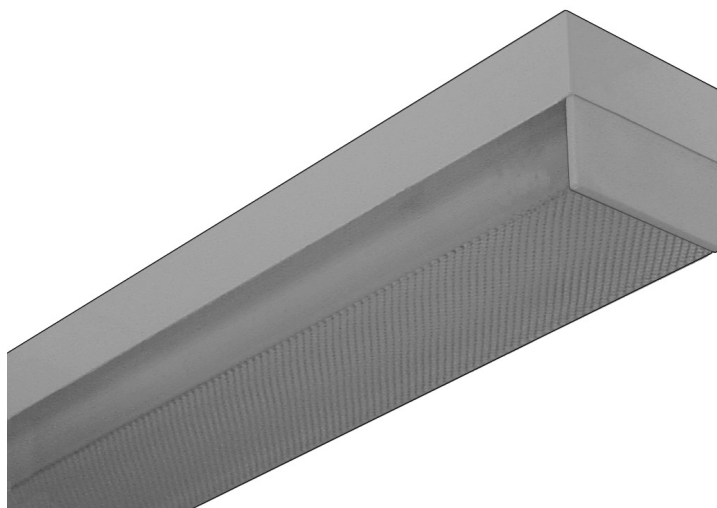


WRAPAROUND

COR100 SERIES



Square Corridor Wraparound Luminaire



- Square Corridor Wraparound Luminaire
- Powder Coated Finish / Painted After Fabrication
- Clear Prismatic Acrylic Lens
- Lens Secured By Torsion Springs
- Suitable for Damp Locations
- Available with:
 - Fluorescent, LED and LED T8 (Internally Driven)
 - Variety of Lenses
 - Low Density
 - Emergency Battery Pack



Photometric Data and IES Files are Available on www.lalighting.com



LOS ANGELES LIGHTING MFG. CO.

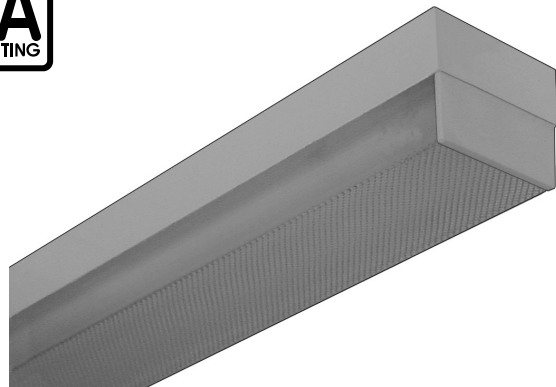
10141 OLNEY ST. / EL MONTE, CA 91731

TEL : 626-454-8300 FAX : 626-454-8399

www.lalighting.com

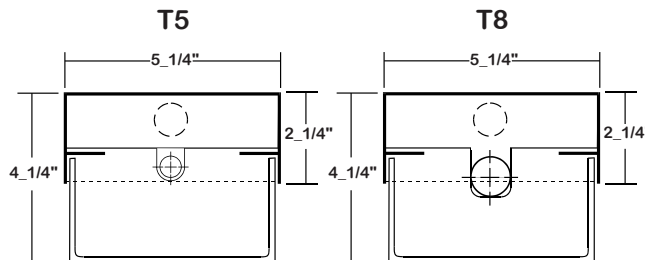
WALL BRACKET - Fluorescent

LED Equivalent Products Available on www.lalighting.com



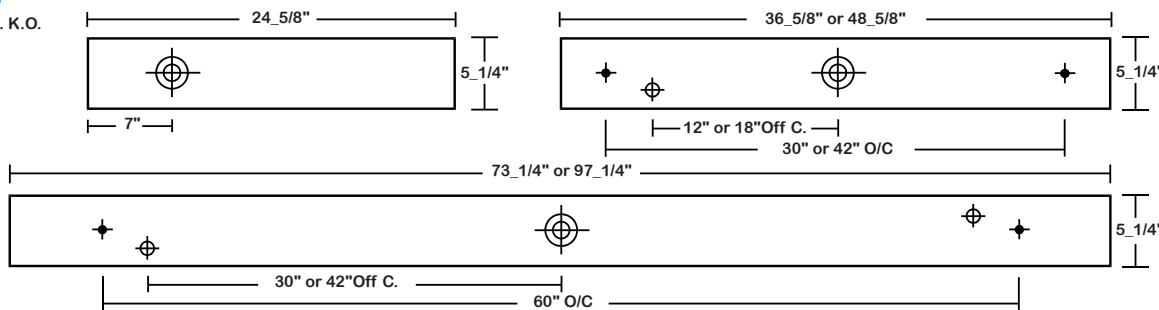
COR100 SERIES

CROSS SECTION



BACK PLATE

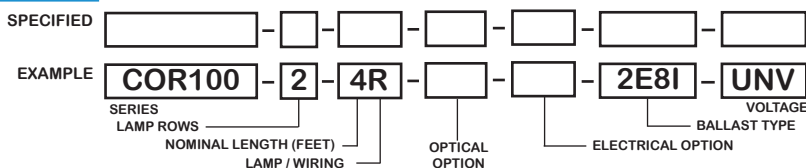
- ◆ 11/16" STEM MTG. K.O.
- ⊕ 7/8" OFFSET K.O.
- ⊕ 2" K.O.



CATALOG NUMBER

NOMINAL LENGTH	TOTAL LAMPS	NOMINAL LENGTH	TOTAL LAMPS	NOMINAL LENGTH	TOTAL LAMPS	NOMINAL LENGTH	TOTAL LAMPS	
COR100-1-2M	2'	1	COR100-2-2M	2'	2	COR100-1-2R	2'	1
COR100-1-3M	3'	1	COR100-2-3M	3'	2	COR100-1-3R	3'	1
COR100-1-4M	4'	1	COR100-2-4M	4'	2	COR100-1-4R	4'	1
COR100-1-6MT	6'	2	COR100-2-6MT	6'	4	COR100-1-6RT	6'	2
COR100-1-8MT	8'	2	COR100-2-8MT	8'	4	COR100-1-8RT	8'	2

ORDERING GUIDE



NOTE: LAMP/WIRING
 M= Miniature Bi-Pin T5
 MT= Miniature Bi-Pin T5 Tandem Wiring
 R= Medium Bi-Pin T8
 RT= Medium Bi-Pin T8 Tandem Wiring

OPTIONS AND ACCESSORIES

- **OPTICAL OPTIONS**

Clear Prismatic Acrylic

SUFFIX
PA

- **ELECTRICAL OPTIONS**

Emergency Battery Pack
 External Line Fusing (HLR/GLR)

SUFFIX
BP*
ELF

ACCESSORIES

Fixture Suspension System

*

- **BALLAST OPTIONS***

Electronic T5
 Electronic T5HO
 Electronic T8 Instant Start
 Electronic T8 Rapid Start
 Electronic T8HO

SUFFIX
xE5
xE5H
xE8I
xE8R
xE8H

● x = Number of Lamps per Ballast

*Refer to www.lalighting.com/resources for more information

SPECIFICATIONS

- **TYPE**
- **CONSTRUCTION**
- **OPTICS**
- **FINISH**
- **WIRING**
- **LABELS**

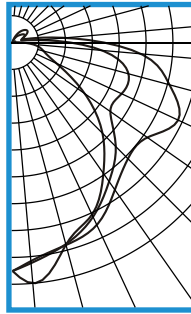
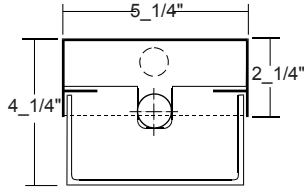
Surface mounted square corridor luminaire. Also for wall applications. Lens secured to housing by torsion springs.
 22 ga. cold rolled steel welded housing.
 Clear prismatic acrylic lens; 15% impact resistant DR formulation.
 Ends of lens or diffuser are injection molded.
 Baked white powder coated finish, minimum reflectance 90%, painted after fabrication.
 120v 60Hz., 277v 60Hz., UNV (universal voltage 120v thru 277v.) or as otherwise specified.
 U.L. Listed. Suitable for damp locations.



PHOTOMETRIC DATA

COR100-1-4R-PA-E8

TEST NO.=LA-T0235
 LAMP TYPE=FO32T8
 NO. OF LAMP=1
 LUMENS PER LAMP=2900
 WATTS PER LAMP=32
 BALLAST FACTOR=1
 PHOTOMETRY TYPE=C



CANDLEPOWER

ANGLE	END	45	CROSS
0	603	603	603
5	638	583	578
15	550	550	552
25	499	505	529
35	418	445	472
45	335	385	432
55	230	315	436
65	126	318	483
75	84	317	428
85	54	236	339
90	25	153	241
95	6	73	140
105	7	23	36
115	6	33	33
125	4	37	49
135	2	28	47
145	1	20	35
155	1	10	19
165	0	2	5
175	0	0	0
180	0	0	0

ZONAL LUMEN SUMMARY

DEGREES	LUMENS	% LAMP	% FIXTURE
0-30	449	15.5	19.0
0-40	729	25.1	30.9
0-60	1317	45.4	55.8
0-90	2144	73.9	90.9
90-120	148	5.1	6.3
90-150	209	7.2	8.9
90-180	214	7.4	9.1
0-180	2359	81.3	100.0

Lumen Output = 2359 lumens
 Luminaire Efficiency = 81.3%

SPACING CRITERION

ALONG	ACROSS
1.14	1.23

This space is intentionally left blank.

This space is intentionally left blank.

This space is intentionally left blank.

