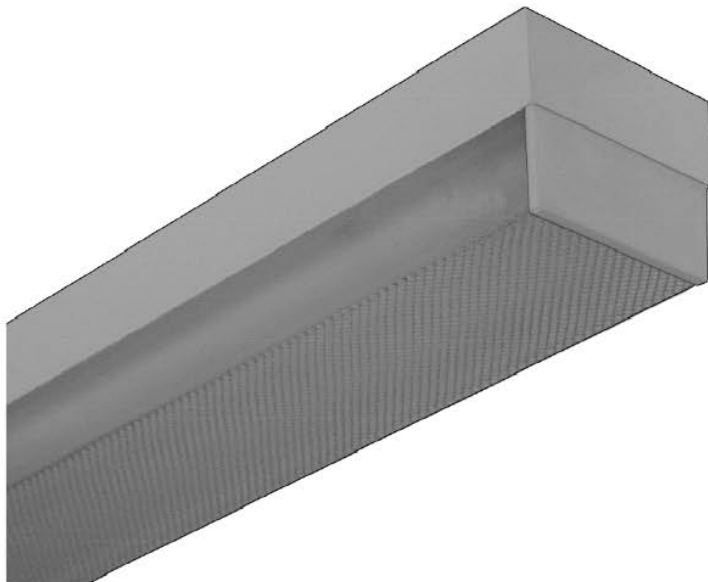


# LED T8 - WRAPAROUND

## COR100 SERIES

### Square Corridor Wraparound



- Square Corridor Wraparound Luminaire For LED T8 Internal Driver Light Tube (by Others)
- Lens Secured by Torsion springs
- Welded And Painted After Fabrication

- Available With:  
Heavy Duty Safety Switch  
Custom Colors



**LOS ANGELES LIGHTING MFG. CO.**

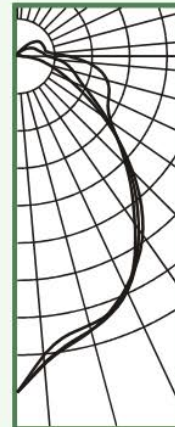
10141 OLNEY ST. / EL MONTE, CA 91731

<http://www.lalighting.com>

TEL: 626-454-8300 FAX: 626-454-8399

COR100-1-4L-PA-LED8

TEST NO.=LA-T1837  
LAMP TYPE=LED T8, 4'  
NO. OF LAMP=1  
LUMENS PER LAMP=1300  
WATTS PER LAMP=15  
BALLAST FACTOR=1  
PHOTOMETRY TYPE=C



#### CANDLEPOWER

Angle	End	45	Cross
0	431	431	431
5	396	395	385
15	364	363	357
25	328	332	332
35	279	271	262
45	209	203	197
55	134	140	146
65	75	96	129
75	42	74	119
85	17	54	90
90	6	39	66
95	5	35	45
105	4	28	36
115	3	24	35
125	3	18	33
135	3	12	24
145	2	8	13
155	2	6	7
165	0	3	6
175	0	1	2
180	0	0	0

#### ZONAL LUMEN SUMMARY

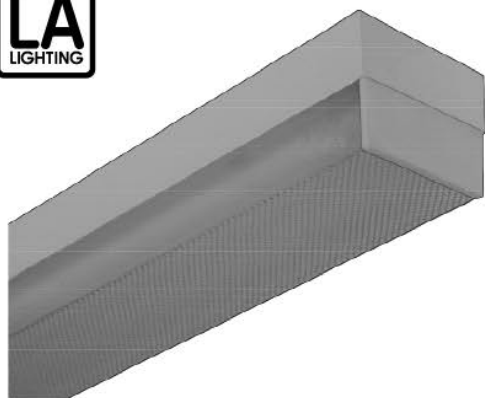
DEGREES	LUMENS	% LAMP	% FIXTURE
0-30	294	22.6	26.8
0-40	464	35.7	42.3
0-60	746	57.4	68.1
0-90	980	75.4	89.4
90-120	82	6.3	7.4
90-150	113	8.7	10.3
90-180	116	8.9	10.6
0-180	1096	84.3	100.0

Luminaire Efficiency = 84.3%

#### SPACING CRITERION

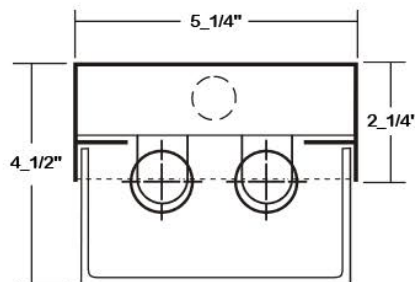
ALONG	ACROSS
1.06	1.05

# LED T8 - WRAPAROUND



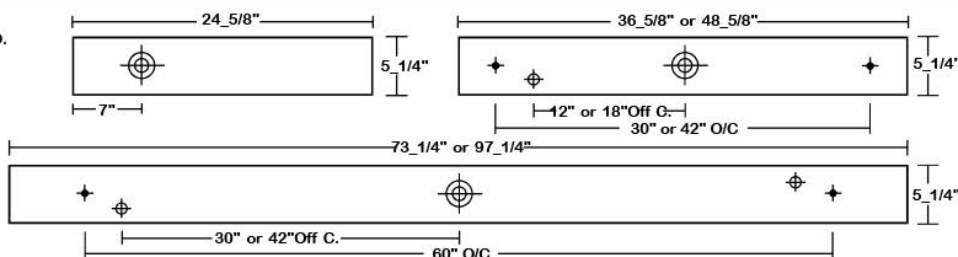
## COR100 SERIES - LED T8

### CROSS SECTION



### BACK PLATE

- ◆ 11/16" STEM MTG. K.O.
- ⊕ 7/8" OFFSET K.O.
- ⊕ 2" K.O.



### CATALOG NUMBER

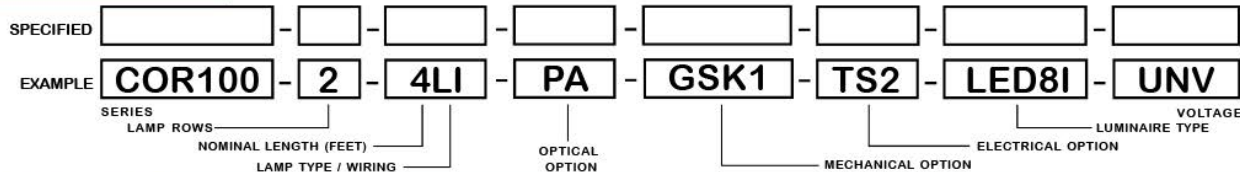
	NOMINAL LENGTH	TOTAL LAMPS	NOMINAL LENGTH	TOTAL LAMPS	NOMINAL LENGTH	TOTAL LAMPS		
COR100-1-2LI	2'	1	COR100-1-6LIT	6'	2	COR100-2-3LI	3'	2
COR100-1-2LR	2'	1	COR100-1-6LRT	6'	2	COR100-2-3LR	3'	2
COR100-1-3LI	3'	1	COR100-1-8LIT	8'	2	COR100-2-4LI	4'	2
COR100-1-3LR	3'	1	COR100-1-8LRT	8'	2	COR100-2-4LR	4'	2
COR100-1-4LI	4'	1	COR100-2-2LI	2'	2	COR100-2-6LIT	6'	4
COR100-1-4LR	4'	1	COR100-2-2LR	2'	2	COR100-2-6LRT	6'	4
						COR100-2-8LIT	8'	4
						COR100-2-8LRT	8'	4

### SAFETY SWITCH

- TS2 - LED Luminaire On/Off Safety Switch**
- Easily accessible on exterior of wire way.
  - Allows individual fixture to be switched ON/OFF during re-lamping or Maintenance.
  - Prevents damage to lamp and electrical shock during lamping and re-lamping.
  - Allows safe entry to wire way channel where power connector can be disconnected for maintenance to fixture.



### ORDERING GUIDE



### LAMP TYPE

**LI = LED T8 internal driver light tube.**  
Both ends powered.  
Shunted sockets used.



**LR = LED T8 internal driver light tube.**  
Single end powered.  
Non-shunted sockets used.



### OPTIONS AND ACCESSORIES

- **OPTICAL OPTIONS**  
Clear Prismatic Acrylic

SUFFIX  
PA

- **MECHANICAL OPTIONS**  
Gasketing

SUFFIX  
GSK1

- **ELECTRICAL OPTIONS**  
LED Luminaire ON/OFF Safety Switch

SUFFIX  
TS2

- **ACCESSORIES**  
Fixture Suspension System

CAT.NO.  
\*

\*See Appropriate Reference Page

### SPECIFICATIONS

- **TYPE**
- **CONSTRUCTION**
- **FINISH**
- **OPTICS**
- **WIRING**
- **LABELS**

Surface mounted square corridor luminaire for LED T8 internal driver light tube (s)\*\*. Also for wall applications. Lens secured to housing by torsion springs.  
22 ga. cold rolled steel welded housing.  
Baked white powder coated finish, minimum reflectance 90%, painted after fabrication.  
clear prismatic acrylic lens; 15% impact resistant DR formulation. Ends of lens or diffuser are injection molded.  
Operates LED T8 internal driver light tube(s)\*\*.  
U.L. Listed. Suitable for damp locations.



\*\* Lamp(s) by others.