



DECORATIVE SURFACE

DES210 SERIES



Dropped Opal Diffuser Soft Contour



- Economy Dropped Opal Diffuser Soft Contour Luminaire
- 22 Ga. Cold Rolled Steel Housing
- Baked White Polyester Finish
- Fully Illuminated One-Piece Dropped White Acrylic Diffuser
- Surface or Pendant Mountable
- Suitable for Damp Locations
- Available with:
 - Fluorescent and LED
 - Emergency Battery Pack



Photometric Data and IES Files are Available on www.lalighting.com



LOS ANGELES LIGHTING MFG. CO.

10141 OLNEY ST. / EL MONTE, CA 91731

TEL : 626-454-8300 FAX : 626-454-8399

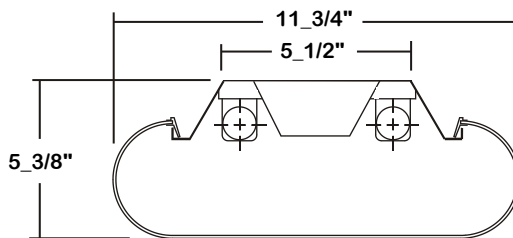
www.lalighting.com



DES210 SERIES

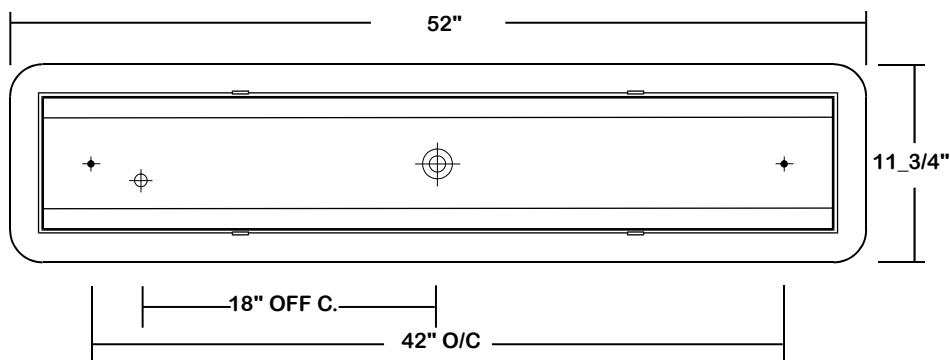
Dropped Opal Diffuser Soft Contour

CROSS SECTION



BACK PLATE

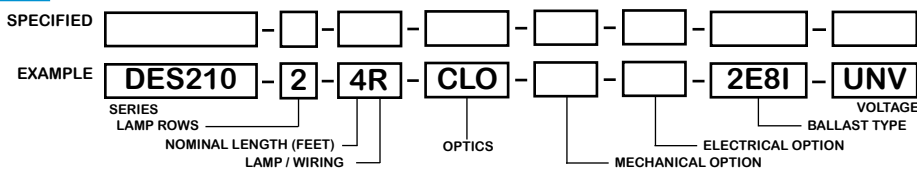
- ◆ 11/16" STEM MTG. K.O.
- ⊕ 7/8" OFFSET K.O.
- ⊕ 2" K.O.



CATALOG NUMBER

	NOMINAL WIDTH X LENGTH	TOTAL LAMPS
DES210-2-4R-CLO	1'X4'	2

ORDERING GUIDE



NOTE: LAMP/WIRING* R = Medium Bi-Pin T8

OPTIONS AND ACCESSORIES

● ELECTRICAL OPTIONS	SUFFIX	● BALLAST OPTIONS *	SUFFIX	● ACCESSORIES	CAT. NO.
Emergency Battery Pack External Line Fusing (HLR GLR)	BP* ELF	Electronic T8 Instant Start Electronic T8 Rapid Start	xE8I xE8R	Fixture Suspension System	*
		x = Number of Lamps per Ballast			

*Refer to www.lalighting.com/resources for more information

SPECIFICATIONS

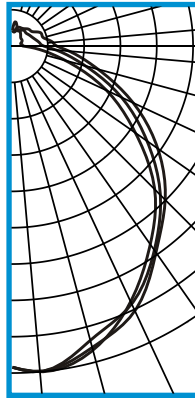
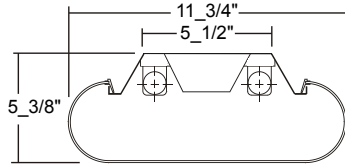
- TYPE: Surface mounted fixture. Diffuser hinges on channel of fixture housing and opens from either side for easy relamping.
- CONSTRUCTION: 22 ga. cold rolled steel housing. (20 ga. housing available as specified)
- FINISH: Baked white polyester finish, minimum reflectance 86%. (Powder coated finish available.)
- OPTICS: Fully illuminated one-piece dropped white acrylic diffuser.
- WIRING: 120v 60Hz., 277v 60Hz., UNV (universal voltage 120v thru 277v.) or as otherwise specified.
- LABELS: U.L. Listed. Suitable for damp locations.



PHOTOMETRIC DATA

DES210-2-4R-CLO-E8

TEST NO.=LA-T0559
 LAMP TYPE=FO32T8
 NO. OF LAMP=2
 LUMENS PER LAMP=2900
 WATTS PER LAMP=32
 BALLAST FACTOR=1
 PHOTOMETRY TYPE=C



CANDLEPOWER

ANGLE	END	45	CROSS
0	1012	1012	1012
5	1030	1029	1029
15	990	958	981
25	885	894	918
35	759	781	790
45	633	659	681
55	471	516	558
65	325	377	418
75	170	236	278
85	67	137	178
90	34	99	139
95	31	88	128
105	27	76	101
115	33	68	98
125	36	63	79
135	37	59	74
145	45	61	67
155	53	53	63
165	51	57	30
175	44	75	47
180	49	49	49

ZONAL LUMEN SUMMARY

DEGREES	LUMENS	% LAMP	% FIXTURE
0-30	789	13.6	23.1
0-40	1277	22.0	37.4
0-60	2249	38.8	65.9
0-90	2995	51.6	87.8
90-120	234	4.0	6.9
90-150	369	6.4	10.8
90-180	416	7.2	12.2
0-180	3411	58.8	100.0

Lumen Output = 3411 lumens
 Luminaire Efficiency = 58.8%

SPACING CRITERION

ALONG	ACROSS
1.20	1.24

This space is intentionally left blank.

This space is intentionally left blank.

This space is intentionally left blank.

