



SPECIAL PURPOSE

GCR200 SERIES Class 100 Clean Room



- Class 100 Clean Room Luminaire
- ISO Class 5 Equivalent
- For 1" or 1_1/2" T-Bar Ceiling
- All Parts Are Fitted And Sealed
- Welded And Painted After Fabrication
- Full Length Piano Hinge And Captive Screws
- Inverted Nominal .125 Clear Prismatic Acrylic Lens
- Suitable for Damp Locations
- Available with:
 - Fluorescent, LED and LED T8 (Internally Driven)
 - Variety of Lens
 - Tamper Proof Screws
 - Suitable for Wet Locations
 - Emergency Battery Pack

Photometric Data and IES Files are Available on www.lalighting.com



LOS ANGELES LIGHTING MFG. CO.

10141 OLNEY ST. / EL MONTE, CA 91731

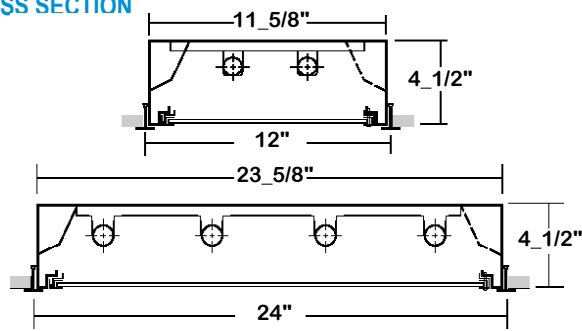
TEL : 626-454-8300 FAX : 626-454-8399

www.lalighting.com

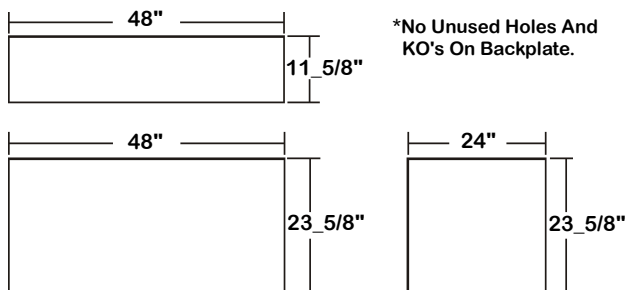


GCR200 SERIES

CROSS SECTION

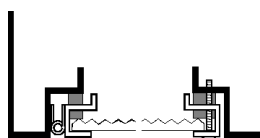


BACK PLATE



DOOR FRAME INFORMATION

CROSS SECTION



EXPLANATION

1. Inverted Lens.
2. Continuous Piano Hinge.
3. Two 10-24 Captive Machine Screws.
4. Sealed With Closed Cell Neoprene Gasket.

FS W

FINISHES

- W - White Enamel
- B - Black Enamel

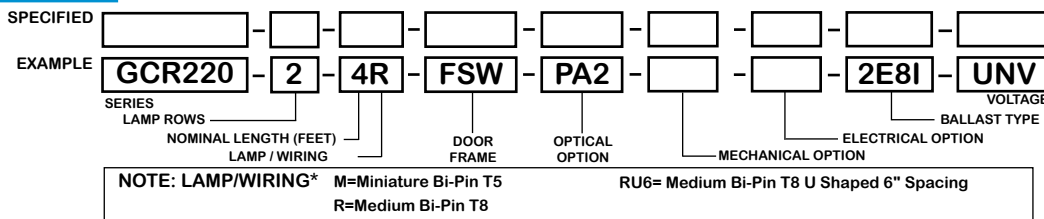
STYLES

- FS - Flat Steel

CATALOG NUMBER

	NOMINAL WIDTH X LENGTH	TOTAL LAMPS		NOMINAL WIDTH X LENGTH	TOTAL LAMPS		NOMINAL WIDTH X LENGTH	TOTAL LAMPS
GCR210-2-4M	1' X 4'	2	GCR210-2-4R	1' X 4'	2	GCR220-4-2R	2' X 2'	4
GCR220-2-2M	2' X 2'	2	GCR220-2-2R	2' X 2'	2	GCR220-2-4R	2' X 4'	2
GCR220-2-4M	2' X 4'	2	GCR220-2-2RU6	2' X 2'	2	GCR220-3-4R	2' X 4'	3
GCR220-3-4M	2' X 4'	3	GCR220-3-2R	2' X 2'	3	GCR220-4-4R	2' X 4'	4
GCR220-4-4M	2' X 4'	4						

ORDERING GUIDE



OPTIONS AND ACCESSORIES

OPTICAL OPTIONS

- Polycarbonate Lenses
- High Impact Acrylic
- Clear Prismatic Acrylic Nom .125
- Flat White Matte Diffusers

- SUFFIX
- * PA2
 - * FWA

MECHANICAL OPTIONS

- Tamper Proof Screws (Hex Socket With Post)
- Suitable for Wet Locations
- ELECTRICAL OPTIONS
- Emergency Battery Pack
- External Line Fusing (HLR/GLR)

- SUFFIX
- TP
 - WL
 - SUFFIX
 - BP*
 - ELF

BALLAST OPTIONS*

- Electronic T5
- Electronic T5HO
- Electronic T8 Instant Start
- Electronic T8 Rapid Start
- Electronic T8HO
- x = Number of Lamps per Ballast

- SUFFIX
- xE5
 - xE5H
 - xE8I
 - xE8R
 - xE8H

*Refer to www.lalighting.com/resources for more information

SPECIFICATIONS

TYPE

Class 100 square sided clean room fixture, ISO Class 5 equivalent. Applicable where a sealed ceiling situation exists. Compatible with standard inverted Tee-Bar Ceilings 1" or 1 1/2" width.

CONSTRUCTION

22 ga. cold rolled steel welded housing. All parts are fitted and sealed, no unused holes or KO's.

FINISH

Baked white powder coated finish, minimum reflectance 90%, painted after fabrication.

DOOR FRAME

20 gauge cold rolled steel. Full length piano hinge. Captive screw catch. Door frame and lens sealed with closed cell neoprene gasket.

OPTICS

Inverted clear prismatic acrylic lens standard, nominal .125 overall thickness.

WIRING

120v 60Hz., 277v 60Hz., UNV (universal voltage 120v thru 277v.) or as otherwise specified.

LABELS

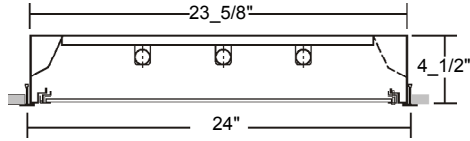
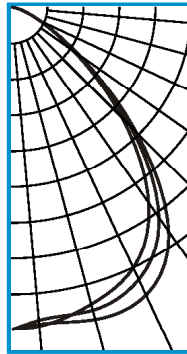
U.L. Listed. Suitable for damp locations. Compatible with UL Fire-Rated Ceiling Assemblies.



PHOTOMETRIC DATA

GCR220-3-4R-FSW-PA-E8

TEST NO.=LA-T0447
 LAMP TYPE=FO32T8
 NO. OF LAMP=3
 LUMENS PER LAMP=2900
 WATTS PER LAMP=32
 BALLAST FACTOR=1
 PHOTOMETRY TYPE=C



CANDLEPOWER

ANGLE	END	45	CROSS
0	2793	2793	2793
5	2773	2721	2757
15	2661	2716	2800
25	2485	2598	2747
35	2055	2210	2356
45	1332	1431	1499
55	636	664	681
65	242	246	246
75	68	70	67
85	9	9	9
90	0	0	1
95	0	0	0
105	0	0	0
115	0	0	0
125	0	0	0
135	0	0	0
145	0	0	0
155	0	0	0
165	0	0	0
175	0	0	0
180	0	0	0

ZONAL LUMEN SUMMARY

DEGREES	LUMENS	% LAMP	% FIXTURE
0-30	2241	25.8	39.7
0-40	3628	41.7	64.2
0-60	5324	61.2	94.3
0-90	5647	64.9	100.0
90-120	0	0.0	0
90-150	0	0.0	0
90-180	0	0.0	0
0-180	5647	64.9	100.0

Lumen Output = 5647 lumens
 Luminaire Efficiency = 64.9%

SPACING CRITERION

ALONG	ACROSS
1.20	1.32

This space is intentionally left blank.

This space is intentionally left blank.

This space is intentionally left blank.

