

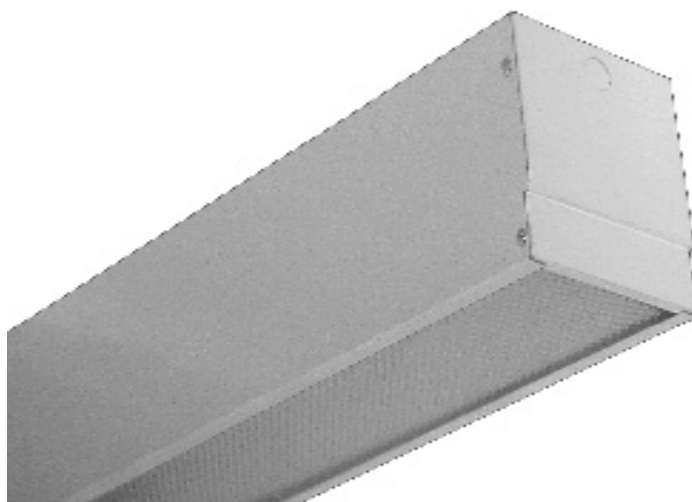


RECESSED

GFF106 SERIES



6" Width / Frameless T-Bar



- 6" Width / Frameless T-Bar Luminaire
- 22 Gauge Cold Rolled Steel Housing
- Riveted-On End Caps
- Suitable for Damp Locations
- Available with:
 - Fluorescent, LED and LED T8 (Internally Driven)
 - Variety of Lenses
 - Emergency Battery Pack



Photometric Data and IES Files are Available on www.lalighting.com



LOS ANGELES LIGHTING MFG. CO.

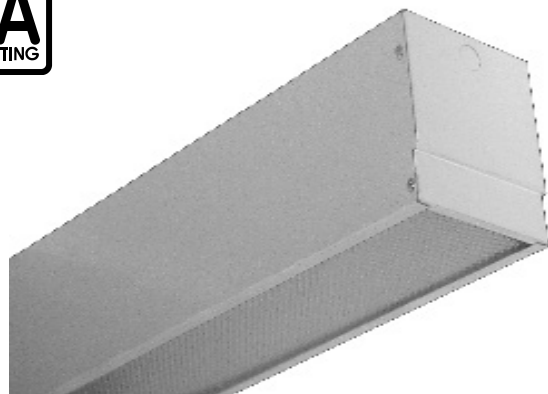
10141 OLNEY ST. / EL MONTE, CA 91731

TEL : 626-454-8300 FAX : 626-454-8399

www.lalighting.com

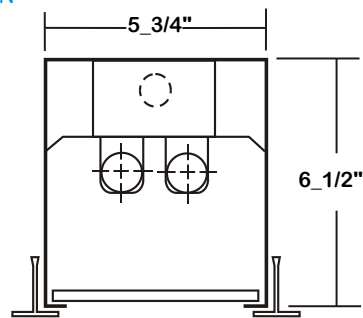
RECESSED - Fluorescent

LED Equivalent Products Available on www.lalighting.com



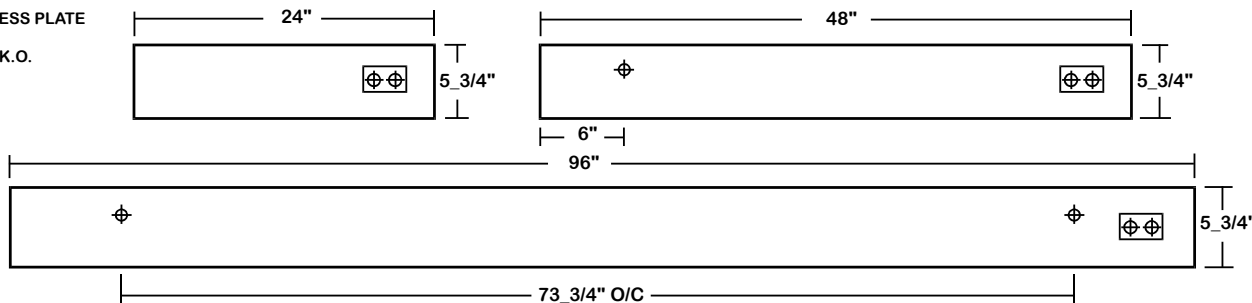
GFF106 SERIES

CROSS SECTION



BACK PLATE

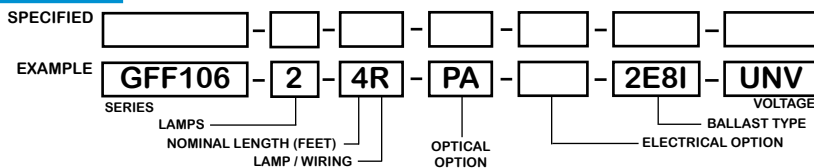
⊕ ACCESS PLATE
⊕ 7/8" K.O.



CATALOG NUMBER

	NOMINAL LENGTH	TOTAL LAMPS		NOMINAL LENGTH	TOTAL LAMPS
GFF106-1-2M	2'	1	GFF106-1-2R	2'	1
GFF106-1-4M	4'	1	GFF106-1-4R	4'	1
GFF106-1-8MT	8'	2	GFF106-1-8RT	8'	2
GFF106-2-2M	2'	2	GFF106-2-2R	2'	2
GFF106-2-4M	4'	2	GFF106-2-4R	4'	2
GFF106-2-8MT	8'	4	GFF106-2-8RT	8'	4

ORDERING GUIDE



NOTE: LAMP/WIRING*
 M= Miniature Bi-Pin T5
 R = Medium Bi-Pin T8
 MT= Miniature Bi-Pin T5, Tandem Wiring
 RT = Medium Bi-Pin T8, Tandem Wiring

OPTIONS AND ACCESSORIES

● **OPTICAL OPTIONS**

- Clear Acrylic
- Clear Prismatic Acrylic
- Flat Frosted White Acrylic
- Polycarbonate Lenses
- High Impact Acrylic
- * Other Lens Available Upon Request

SUFFIX
 CA
 PA
 FFWA
 *
 *

● **ELECTRICAL OPTIONS**

- Emergency Battery Pack
- External Line Fusing (HLR/GLR)
- Radio Interference Filters

SUFFIX
 BP5*
 ELF
 RIF

● **BALLAST OPTIONS ***

- Electronic T5
- Electronic T5HO
- Electronic Step Dimming T5HO
- Electronic T8
- Electronic Step Dimming T8
- Electronic Dimming T8 Rapid Start (0-10V)

SUFFIX
 xE5
 xE5H
 xESDM5H
 xE8
 xESDM8
 xEDM8R(0-10V)

* Refer to www.lalighting.com/resources for more information

x = Number of Lamps per Ballast

SPECIFICATIONS

- **TYPE**
- **CONSTRUCTION**
- **FINISH**
- **DOOR FRAME**
- **OPTICS**
- **WIRING**
- **LABELS**

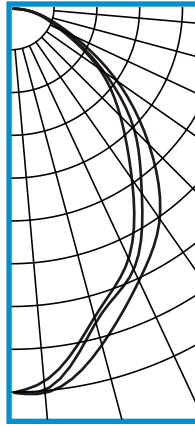
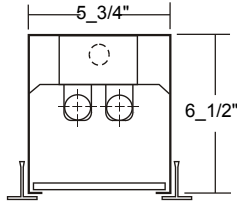
Recessed mounted square sides. Available in various lengths. Adaptable to a wide variety of ceiling styles.
 22 ga. cold rolled steel housing. (20 ga. housing available as specified)
 Baked white polyester finish, minimum reflectance 86%. (Powder coated finish available.)
 Frameless flat trim.
 Clear prismatic acrylic standard.
 120v 60Hz., 277v 60Hz., UNV (universal voltage 120v thru 277v.) or as otherwise specified.
 U.L. Listed. Suitable for damp locations. Compatible with UL Fire-Rated Ceiling Assemblies.



PHOTOMETRIC DATA

GFF106-2-4R-PA-E8

TEST NO.=LA-T0477
 LAMP TYPE=FO32T8
 NO. OF LAMP=2
 LUMENS PER LAMP=2900
 WATTS PER LAMP=32
 BALLAST FACTOR=1
 PHOTOMETRY TYPE=C



CANDLEPOWER

ANGLE	END	45	CROSS
0	1326	1326	1423
5	1330	1319	1517
15	1196	1115	1467
25	1032	988	1421
35	881	772	1315
45	661	589	1198
55	438	383	1056
65	235	210	854
75	115	109	338
85	37	33	53
90	3	3	2
95	0	0	0
105	0	0	0
115	0	0	0
125	0	0	0
135	0	0	0
145	0	0	0
155	0	0	0
165	0	0	0
175	0	0	0
180	0	0	0

ZONAL LUMEN SUMMARY

DEGREES	LUMENS	% LAMP	% FIXTURE
0-30	904	15.6	35.3
0-40	1396	24.1	54.6
0-60	2205	38.0	86.2
0-90	2558	44.1	100.0
90-120	1	0.0	0
90-150	1	0.0	0
90-180	1	0.0	0
0-180	2558	44.1	100.0

Lumen Output = 2558 lumens
 Luminaire Efficiency = 44.1%

SPACING CRITERION

ALONG	ACROSS
1.08	0.98

