

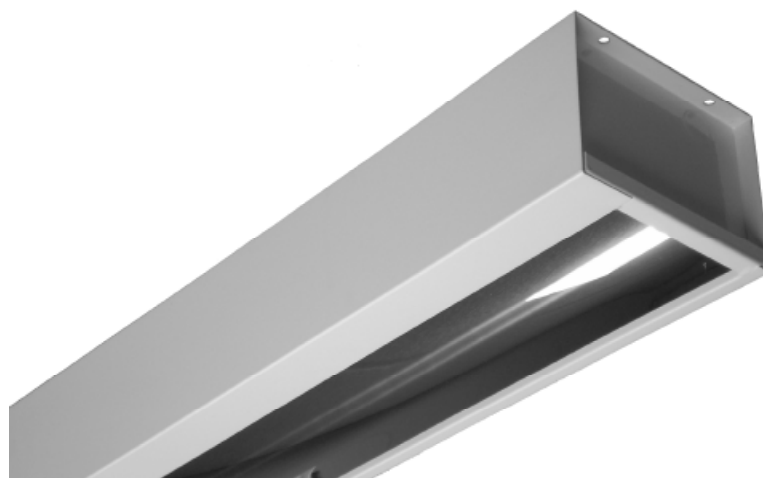


ARCHITECTURAL

GWW206 SERIES



T-Bar Recessed Wall Wash Luminaire



- T-Bar Recessed Wall Wash Luminaire
- One Lamp 28WT5 / 54WT5H0
- Welded And Painted After Fabrication
- 95% Enhanced Specular Aluminum Reflector
- Available with:
 - White Reflector
 - Emergency Battery Pack



Photometric Data and IES Files are Available on www.lalighting.com



LOS ANGELES LIGHTING MFG. CO.

10141 OLNEY ST. / EL MONTE, CA 91731

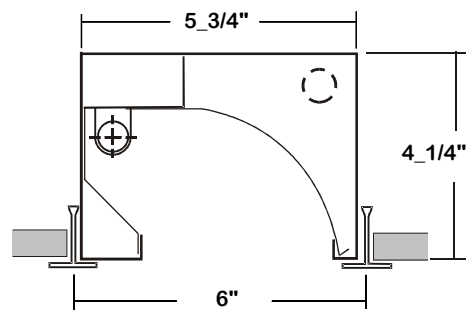
TEL : 626-454-8300 FAX : 626-454-8399

www.lalighting.com



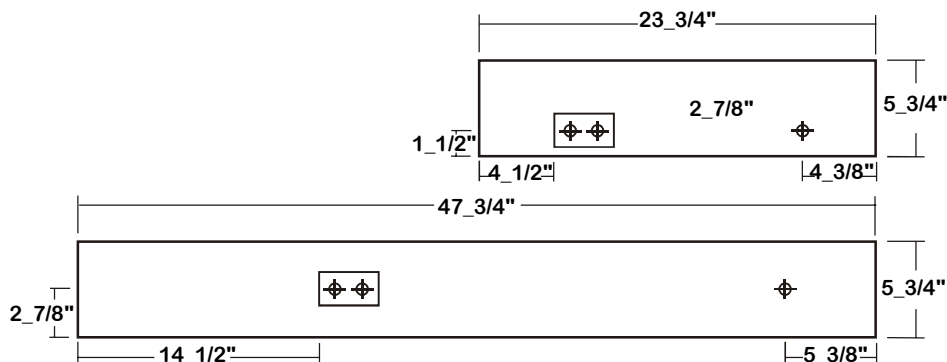
GWW206 SERIES

CROSS SECTION



BACK PLATE

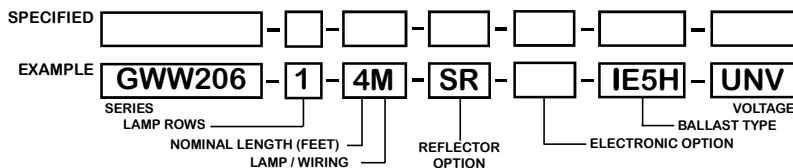
- ACCESS PLATE
- 7/8" K.O.



CATALOG NUMBER

	NOMINAL LENGTH	TOTAL LAMPS
GWW206-1-2M	2'	1
GWW206-1-4M	4'	1

ORDERING GUIDE



NOTE: LAMP/WIRING*
M= Miniature Bi-Pin T5

OPTIONS AND ACCESSORIES

REFLECTOR OPTIONS

- Specular Aluminum Reflector (95%)
- White Reflector

SUFFIX
SR
WR

ELECTRICAL OPTIONS

- Emergency Battery Pack
- External Line Fusing (HLR/GLR)

SUFFIX
BP*
ELF

BALLAST OPTIONS*

- Electronic T5
- Electronic T5HO
- Electronic T8 Instant Start
- Electronic T8 Rapid Start
- Electronic T8HO

SUFFIX
xE5
xE5H
xE8I
xE8R
xE8H

x = Number of Lamps per Ballast

*Refer to www.lalighting.com/resources for more information

SPECIFICATIONS

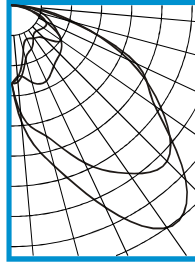
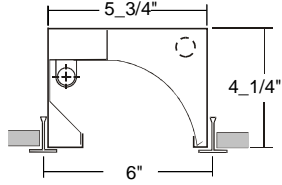
- TYPE** Recessed wall wash luminaire. For inverted Tee-Bar installations.
- CONSTRUCTION** 22 ga. cold rolled steel welded housing. (20 ga. housing available as specified)
- FINISH** Back white powder coated finish, minimum reflectance 90%, painted after fabrication.
- REFLECTOR** Specular aluminum reflector standard, 95% reflectance. (White reflector available) 120v
- WIRING** 60Hz., 277v 60Hz., UNV (universal voltage 120v thru 277v.) or as otherwise specified.
- LABELS** U.L. Listed. Suitable for damp locations. Compatible with UL Fire-Rated Ceiling Assemblies.



PHOTOMETRIC DATA

GWW206-1-4M-SR-E5H

TEST NO.=LA-T1675
 LAMP TYPE=F54T5HO
 NO. OF LAMP=1
 LUMENS PER LAMP=5000
 WATTS PER LAMP=54
 BALLAST FACTOR=1
 PHOTOMETRY TYPE=C



CANDLEPOWER

ANGLE	0	45	90	135	180
0	697	697	697	697	697
5	1062	979	636	683	643
15	1491	1214	714	488	400
25	1998	1557	740	423	329
35	2425	1833	656	335	357
45	2195	1965	609	320	415
55	1559	1639	535	348	538
65	1227	1153	402	335	316
75	514	573	285	186	168
85	112	156	94	37	10
90	0	0	2	0	0
95	0	0	0	0	0
105	0	0	0	0	0
115	0	0	0	0	0
125	0	0	0	0	0
135	0	0	0	0	0
145	0	0	0	0	0
155	0	0	0	0	0
165	0	0	0	0	0
175	0	0	0	0	0
180	0	0	0	0	0

ZONAL LUMEN SUMMARY

DEGREES	LUMENS	% LAMP	% FIXTURE
0-30	762	15.2	18.4
0-40	1424	28.5	34.4
0-60	3038	60.8	73.5
0-90	4136	82.7	100.0
90-120	0	0.0	0.0
90-150	0	0.0	0.0
90-180	0	0.0	0.0
0-180	4136	82.7	100.0

Lumen Output = 4136 lumens
 Luminaire Efficiency = 82.7%

SPACING CRITERION

ALONG	ACROSS
2.68	1.44

This space is intentionally left blank.

This space is intentionally left blank.

This space is intentionally left blank.

