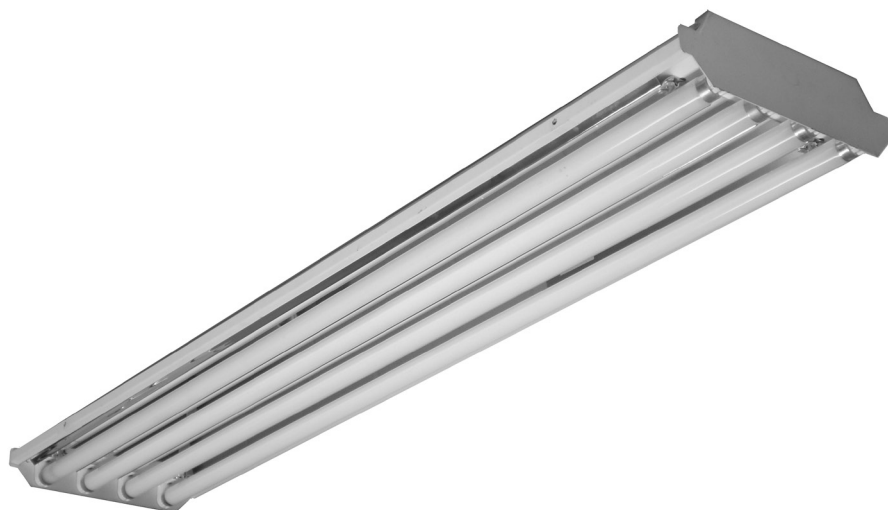


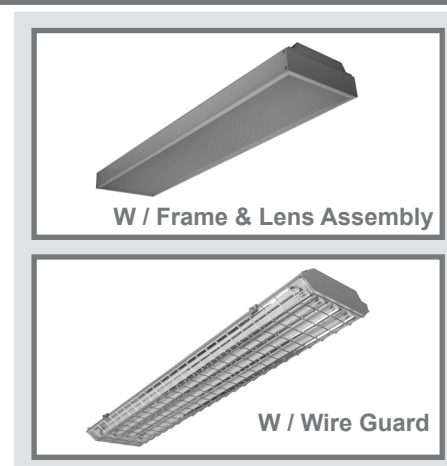


BAYLIGHTER™

HBN100 SERIES High Bay Luminaire



- High Bay Luminaire
- Quarter Turn Rotary Locking Sockets
- Removable Wiring Access Plate
- Stem, Cable or Chain Mountable
- Suitable for Damp Locations
- Available with:
 - Fluorescent, LED and LED T8 (Internally Driven)
 - 11ga. Wire Guard
 - Frame & Lens Assembly (Available in 4' Fixture Only)
 - 95% Enhanced Specular Aluminum Reflectors
 - Sensor
 - Emergency Battery Pack



Photometric Data and IES Files are Available on www.lalighting.com

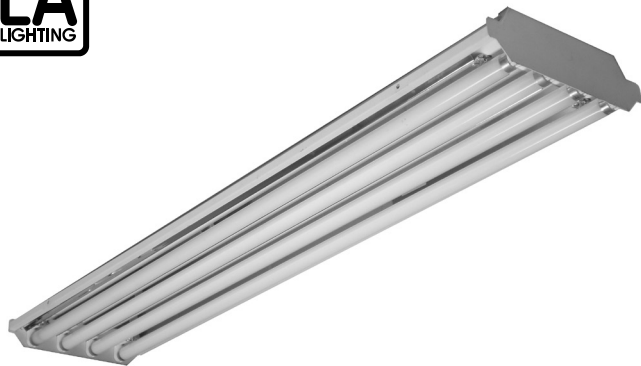


LOS ANGELES LIGHTING MFG. CO.

10141 OLNEY ST. / EL MONTE, CA 91731

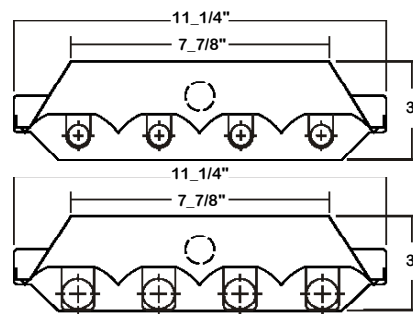
TEL : 626-454-8300 FAX : 626-454-8399

www.lalighting.com

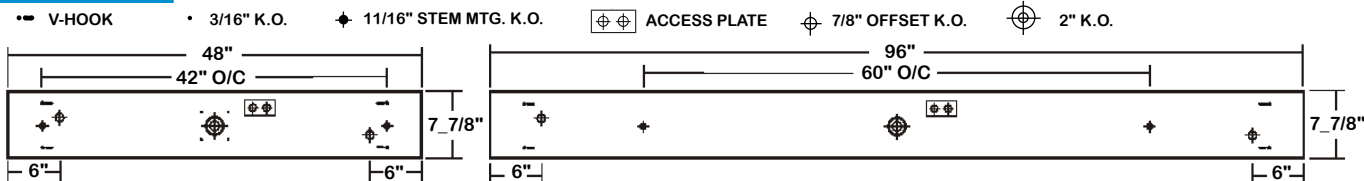


HBN100 SERIES

CROSS SECTION



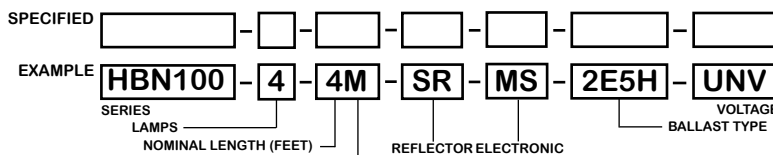
BACK PLATE



CATALOG NUMBER

	NOMINAL LENGTH	TOTAL LAMPS		NOMINAL LENGTH	TOTAL LAMPS
HBN100-2-4M	4'	2	HBN100-2-4R	4'	2
HBN100-2-8MT	8'	4	HBN100-2-8RT	8'	4
HBN100-3-4M	4'	3	HBN100-3-4R	4'	3
HBN100-3-8MT	8'	6	HBN100-3-8RT	8'	6
HBN100-4-4M	4'	4	HBN100-4-4R	4'	4
HBN100-4-8MT	8'	8	HBN100-4-8RT	8'	8

ORDERING GUIDE



NOTE: LAMP/WIRING* M= Miniature Bi-Pin T5 MT= Miniature Bi-Pin T5, Tandem Wiring
 R = Medium Bi-Pin T8 RT = Medium Bi-Pin T8, Tandem Wiring

OPTIONS AND ACCESSORIES

● REFLECTOR OPTIONS	SUFFIX	● BALLAST OPTIONS	SUFFIX	● ACCESSORIES	CAT.NO.
Specular Aluminum Reflector (95%)	SR	Electronic T5	E5*	Wire Guard - 11 Ga.	WG11-HBN100
White Aluminum Reflector (90%)	WR	Electronic T5HO	E5H	Fixture Suspension System	*
● ELECTRICAL OPTIONS	SUFFIX	Electronic Step Dimming T5HO	ESDM5H	Ceiling Spacer	*
Emergency Battery Pack	BP*	Electronic T8	E8*	6" Leg Height V-Hook	V6
External Line Fusing (HLR/GLR)	ELF	Electronic Step Dimming T8	ESDM8*	Frame with Clear Acrylic	F/CA-HBN100**
Radio Interference Filters	RIF			Frame with Clear Prismatic Acrylic	F/PA-HBN100**
Motion Sensor	MS				

Note:
 *See appropriate reference page
 ** For 4' fixture only. Other lenses available upon request.
 Wire guard (WG11-HBN100) is not valid when frame & lens assembly is specified.

SPECIFICATIONS

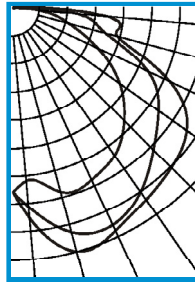
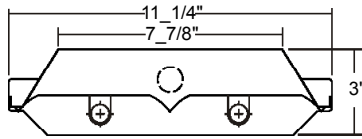
- **TYPE** High bay luminaire for surface, pendant, or chain mounting. Must be spaced a minimum of 1/2" from ceiling when surface mounted with T5HO lamp.
- **CONSTRUCTION** 22 ga. die formed cold rolled steel housing with louvered vents for heat removal. Quarter turn rotary locking lampholders standard. (20 ga. C.R.S. and .040 aluminum housing available as specified).
- **REFLECTOR** Enhanced specular aluminum reflector standard, 95% reflectance. (White aluminum reflector available).
- **FINISH** Baked white polyester finish, minimum reflectance 86%.
- **WIRING** 120v 60Hz., 277v 60Hz., UNV (universal voltage 120v thru 277v.) or as otherwise specified.
- **LABELS** U.L. Listed. Suitable for damp locations.



PHOTOMETRIC DATA

HBN100-2-4M-SR-E5H

TEST NO.=LA-T1968
 LAMP TYPE=F54T5HO
 NO. OF LAMP=2
 LUMENS PER LAMP=5000
 WATTS PER LAMP=54
 BALLAST FACTOR=1
 PHOTOMETRY TYPE=C



CANDLEPOWER

ANGLE	END	45	CROSS
0	1895	1895	1895
5	1774	2074	2201
15	1964	2393	2593
25	1934	2451	2511
35	1827	2288	2391
45	1609	2034	2300
55	1323	1816	2169
65	940	1511	1754
75	575	964	1094
85	264	647	956
90	50	235	351
95	0	20	61
105	0	0	0
115	0	0	0
125	0	0	0
135	0	0	0
145	0	0	0
155	0	0	0
165	0	0	0
175	0	0	0
180	0	0	0

ZONAL LUMEN SUMMARY

DEGREES	LUMENS	% LAMP	% FIXTURE
0-30	1937	19.4	20.4
0-40	3318	33.2	35.0
0-60	6460	64.6	68.1
0-90	9403	94.0	99.2
90-120	80	0.8	0.8
90-150	80	0.8	0.8
90-180	80	0.8	0.8
0-180	9483	94.8	100.0

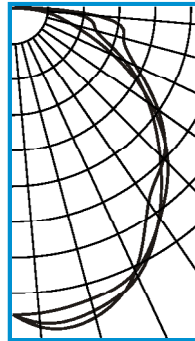
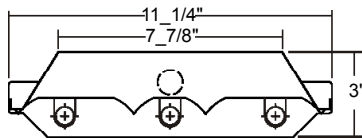
Lumen Output = 9483 lumens
 Luminaire Efficiency = 94.8%

SPACING CRITERION

ALONG	ACROSS
1.45	1.80

HBN100-3-4M-SR-E5H

TEST NO.=LA-T1969
 LAMP TYPE=F54T5HO
 NO. OF LAMP=3
 LUMENS PER LAMP=5000
 WATTS PER LAMP=54
 BALLAST FACTOR=1
 PHOTOMETRY TYPE=C



CANDLEPOWER

ANGLE	END	45	CROSS
0	4375	4375	4375
5	4367	4509	4569
15	4294	4466	4560
25	4126	4204	4120
35	3641	3618	3357
45	3108	2948	3028
55	2398	2345	2509
65	1575	1741	1913
75	952	1219	1623
85	363	875	1184
90	62	261	373
95	1	66	146
105	0	1	6
115	0	0	0
125	0	0	0
135	0	0	0
145	0	0	0
155	0	0	0
165	0	0	0
175	0	0	0
180	0	0	0

ZONAL LUMEN SUMMARY

DEGREES	LUMENS	% LAMP	% FIXTURE
0-30	3616	24.1	25.4
0-40	5851	39.0	41.1
0-60	10333	68.9	72.6
0-90	14101	94.0	99.1
90-120	125	0.8	0.9
90-150	125	0.8	0.9
90-180	125	0.8	0.9
0-180	14226	94.8	100.0

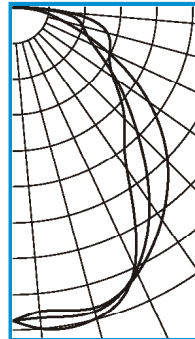
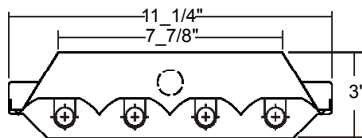
Lumen Output = 14226 lumens
 Luminaire Efficiency = 94.8%

SPACING CRITERION

ALONG	ACROSS
1.30	1.24

HBN100-4-4M-SR-E5H

TEST NO.=LA-T1960
 LAMP TYPE=F54T5HO
 NO. OF LAMP=4
 LUMENS PER LAMP=5000
 WATTS PER LAMP=54
 BALLAST FACTOR=1
 PHOTOMETRY TYPE=C



CANDLEPOWER

ANGLE	END	45	CROSS
0	6767	6767	6767
5	6582	6724	6964
15	6710	6793	6948
25	6337	6268	6201
35	5585	5117	4267
45	4703	3766	3393
55	3577	2707	2631
65	2242	1907	2293
75	1126	1556	2104
85	445	958	1206
90	73	238	373
95	1	68	151
105	0	1	10
115	0	0	0
125	0	0	0
135	0	0	0
145	0	0	0
155	0	0	0
165	0	0	0
175	0	0	0
180	0	0	0

ZONAL LUMEN SUMMARY

DEGREES	LUMENS	% LAMP	% FIXTURE
0-30	5477	27.4	28.9
0-40	8631	43.2	45.6
0-60	14263	71.3	75.4
0-90	18804	94.0	99.3
90-120	125	0.6	0.7
90-150	125	0.6	0.7
90-180	125	0.6	0.7
0-180	18929	94.6	100.0

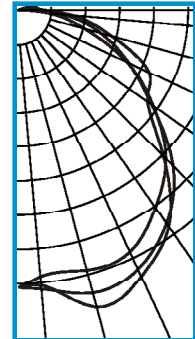
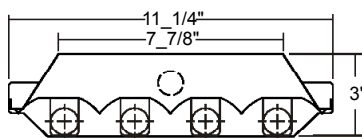
Lumen Output = 18929 lumens
 Luminaire Efficiency = 94.6%

SPACING CRITERION

ALONG	ACROSS
1.29	1.15

HBN100-4-4R-SR-E8

TEST NO.=LA-T2054
 LAMP TYPE=FO32T8
 NO. OF LAMP=4
 LUMENS PER LAMP=2900
 WATTS PER LAMP=32
 BALLAST FACTOR=1
 PHOTOMETRY TYPE=C



CANDLEPOWER

ANGLE	END	45	CROSS
0	2968	2968	2968
5	2852	2995	2956
15	2875	3127	3291
25	2841	3043	3126
35	2559	2766	2806
45	2226	2330	2180
55	1748	1727	1680
65	1269	1292	1534
75	714	900	1017
85	307	455	565
90	45	185	279
95	4	114	208
105	0	40	112
115	0	2	19
125	0	0	0
135	0	0	0
145	0	0	0
155	0	0	0
165	0	0	0
175	0	0	0
180	0	0	0

ZONAL LUMEN SUMMARY

DEGREES	LUMENS	% LAMP	% FIXTURE
0-30	2556	22.0	24.5
0-40	4268	36.8	40.9
0-60	7566	65.2	72.5
0-90	10248	88.3	98.1
90-120	194	1.7	1.9
90-150	194	1.7	1.9
90-180	194	1.7	1.9
0-180	10443	90.0	100.0

Lumen Output = 10443 lumens
 Luminaire Efficiency = 90.0%

SPACING CRITERION

ALONG	ACROSS
1.34	1.43

