

LED T8 - INDUSTRIAL

KDI200 SERIES

Knocked Down One or Two Light Industrial



- Knocked Down 1 or 2-Lamp Industrial For LED T8 Internal Driver Light Tube (by Others)
- 22 Gauge Cold Rolled Steel Housing
- Screw-On End Caps
- Cover Secured by Two Quarter Turn Fasteners

- Available with:
Heavy Duty Safety Switch



LOS ANGELES LIGHTING MFG. CO.

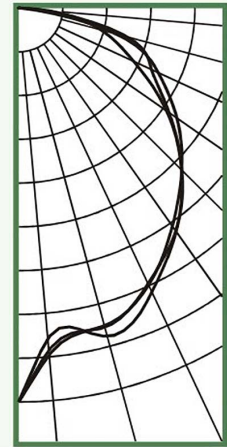
10141 OLNEY ST. / EL MONTE, CA 91731

<http://www.lalighting.com>

TEL : 626-454-8300 FAX : 626-454-8399

KDI200-2-4L-LED8

TEST NO.=LA-T1834-1
LAMP TYPE=LED T8, 4'
NO. OF LAMP=2
LUMENS PER LAMP=1300
WATTS PER LAMP=15
BALLAST FACTOR=1
PHOTOMETRY TYPE=C



CANDLEPOWER

Angle	End	45	Cross
0	969	969	969
5	817	845	856
15	836	813	809
25	770	748	752
35	671	670	655
45	562	565	564
55	441	449	472
65	310	358	376
75	209	275	248
85	71	47	12
90	5	3	1
95	1	2	0
105	0	0	0
115	0	0	0
125	0	0	0
135	0	0	0
145	0	0	0
155	0	0	0
165	0	0	0
175	0	0	0
180	0	0	0

ZONAL LUMEN SUMMARY

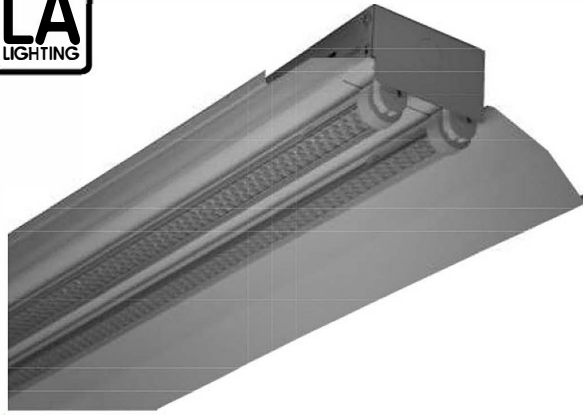
DEGREES	LUMENS	% LAMP	% FIXTURE
0-30	662	25.5	25.7
0-40	1081	41.6	41.9
0-60	1923	74.0	74.6
0-90	2575	99.0	99.9
90-120	2	0.1	0.1
90-150	2	0.1	0.1
90-180	2	0.1	0.1
0-180	2577	99.1	100.0

Luminaire Efficiency = 99.1%

SPACING CRITERION

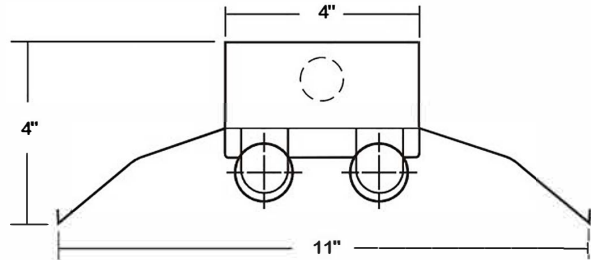
ALONG	ACROSS
1.11	1.09

LED T8 - INDUSTRIAL



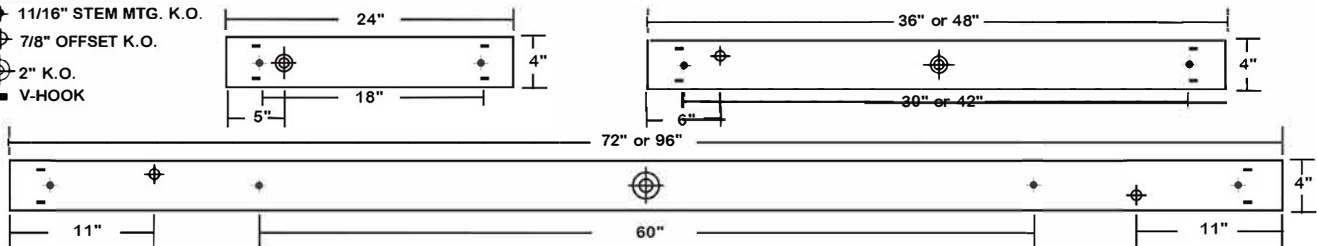
KDI200 SERIES - LED T8

CROSS SECTION



BACK PLATE

- ◆ 11/16" STEM MTG. K.O.
- ⊕ 7/8" OFFSET K.O.
- ⊕ 2" K.O.
- V-HOOK



CATALOG NUMBER

NOMINAL TOTAL LENGTH LAMPS		NOMINAL TOTAL LENGTH LAMPS		NOMINAL TOTAL LENGTH LAMPS	
KDI200-1-2LI	2' 1	KDI200-1-6LIT	6' 2	KDI200-2-3LI	3' 2
KDI200-1-2LR	2' 1	KDI200-1-6LRT	6' 2	KDI200-2-3LR	3' 2
KDI200-1-2LO	2' 1	KDI200-1-6LOT	6' 2	KDI200-2-3LO	3' 2
KDI200-1-3LI	3' 1	KDI200-1-8LIT	8' 2	KDI200-2-4LI	4' 2
KDI200-1-3LR	3' 1	KDI200-1-8LRT	8' 2	KDI200-2-4LR	4' 2
KDI200-1-3LO	3' 1	KDI200-1-8LRT	8' 2	KDI200-2-4LO	4' 2
KDI200-1-4LI	4' 1	KDI200-1-8LOT	8' 2	KDI200-2-6LIT	6' 4
KDI200-1-4LR	4' 1	KDI200-2-2LI	2' 2	KDI200-2-6LRT	6' 4
KDI200-1-4LO	4' 1	KDI200-2-2LR	2' 2	KDI200-2-6LOT	6' 4
		KDI200-2-2LO	2' 2	KDI200-2-8LIT	8' 4
				KDI200-2-8LRT	8' 4
				KDI200-2-8LOT	8' 4

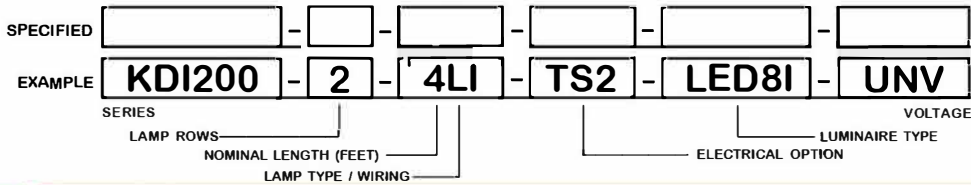
SAFETY SWITCH

TS2 - LED Luminaire On/Off Safety Switch

- Easily accessible on exterior of wire way.
- Allows individual fixture to be switched ON/OFF during re-lamping or Maintenance.
- Prevents damage to lamp and electrical shock during lamping and re-lamping.
- Allows safe entry to wire way channel where power connector can be disconnected for maintenance to fixture.



ORDERING GUIDE



LAMP TYPE

LI = LED T8 internal driver light tube.

Both ends powered.
Shunted sockets used.



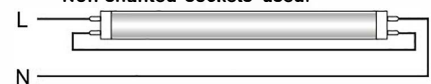
LR = LED T8 internal driver light tube.

Single end powered.
Non-shunted sockets used.



LO = LED T8 internal driver light tube.

Both ends powered, one wire connects lampholders together from each side.
Non-shunted sockets used.



OPTIONS AND ACCESSORIES

● **ELECTRICAL OPTIONS**

LED Luminaire ON/OFF Safety Switch

SUFFIX

TS2

● **ACCESSORIES**

Wire Guard-14 Ga.
12" Coupling For Row Mounting
4" Leg Height V-Hook

CAT. NO.

WG14-KDI200
CMC-KDS200
V-4

*See Appropriate Reference Page

SPECIFICATIONS

- **TYPE**
- **CONSTRUCTION**
- **FINISH**
- **REFLECTOR**
- **WIRE GUARDS**
- **WIRING**
- **LABELS**

Knocked down industrial luminaire for LED T8 internal driver light tube (s)**. For surface or suspended mounting.
22 ga. cold rolled steel housing. End plates are fastened to housing by sheet metal screws to assure rigidity.
Baked white polyester finish, minimum reflectance 86%.
22 ga. cold rolled steel reflector.
Chrome epoxy powder coated.
Operates LED T8 internal driver light tube(s)**.
U.L. Listed. Suitable for damp locations.

** Lamp(s) by others.

