

# LED T8 - OPEN COMMERCIAL

## KDS200 SERIES

### Knocked Down One or Two Light Strip

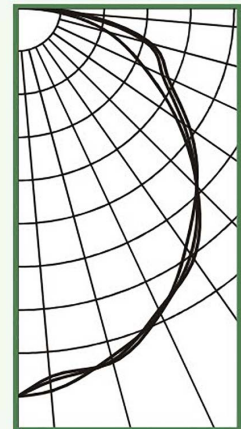


- Knocked Down 1 or 2-Lamp Strip For LED T8 Internal Driver Light Tube (by Others)
- 22 Gauge Cold Rolled Steel Housing
- Screw-On End Caps
- Cover Secured by Two Quarter Turn Fasteners
- Available with:  
Heavy Duty Safety Switch



#### KDS200-2-4L-LED8

TEST NO.=LA-T1811  
LAMP TYPE=LED T8, 4'  
NO. OF LAMP=2  
LUMENS PER LAMP=1300  
WATTS PER LAMP=15  
BALLAST FACTOR=1  
PHOTOMETRY TYPE=C



#### CANDLEPOWER

| Angle | End | 45  | Cross |
|-------|-----|-----|-------|
| 0     | 840 | 840 | 840   |
| 5     | 811 | 801 | 832   |
| 15    | 790 | 793 | 781   |
| 25    | 721 | 728 | 728   |
| 35    | 662 | 651 | 632   |
| 45    | 547 | 546 | 546   |
| 55    | 419 | 437 | 453   |
| 65    | 299 | 345 | 358   |
| 75    | 202 | 286 | 298   |
| 85    | 72  | 107 | 131   |
| 90    | 8   | 32  | 56    |
| 95    | 3   | 10  | 12    |
| 105   | 0   | 3   | 5     |
| 115   | 0   | 1   | 4     |
| 125   | 0   | 0   | 0     |
| 135   | 0   | 1   | 0     |
| 145   | 0   | 0   | 2     |
| 155   | 0   | 0   | 0     |
| 165   | 0   | 0   | 0     |
| 175   | 0   | 0   | 0     |
| 180   | 0   | 0   | 0     |

#### ZONAL LUMEN SUMMARY

| DEGREES | LUMENS | % LAMP | % FIXTURE |
|---------|--------|--------|-----------|
| 0-30    | 638    | 24.5   | 24.6      |
| 0-40    | 1045   | 40.2   | 40.3      |
| 0-60    | 1860   | 71.5   | 71.7      |
| 0-90    | 2571   | 98.9   | 99.2      |
| 90-120  | 21     | 0.8    | 0.8       |
| 90-150  | 22     | 0.8    | 0.8       |
| 90-180  | 22     | 0.8    | 0.8       |
| 0-180   | 2593   | 99.7   | 100.0     |

Luminaire Efficiency = 99.7%

#### SPACING CRITERION

| ALONG | ACROSS |
|-------|--------|
| 1.23  | 1.20   |



**LOS ANGELES LIGHTING MFG. CO.**

10141 OLNEY ST. / EL MONTE, CA 91731

<http://www.lalighting.com>

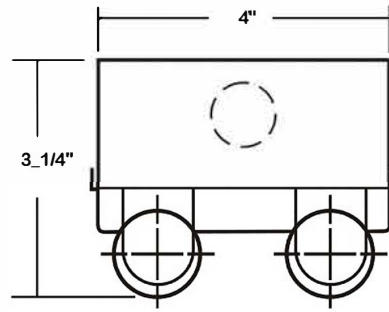
**TEL : 626-454-8300 FAX : 626-454-8399**

**LED T8 - OPEN COMMERCIAL**



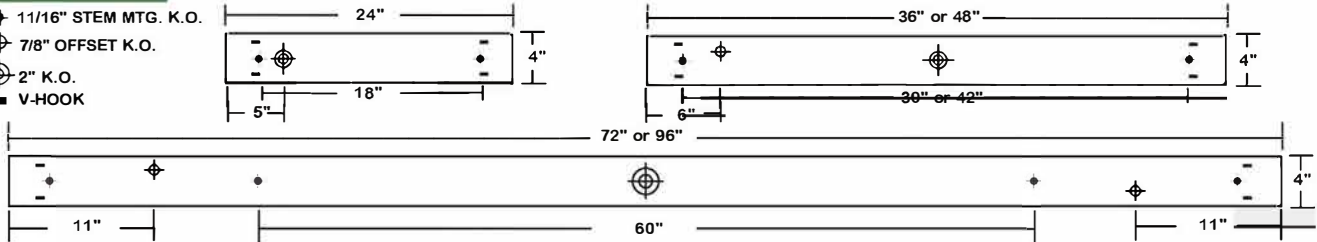
**KDS200 SERIES - LED T8**

**CROSS SECTION**



**BACK PLATE**

- ◆ 11/16" STEM MTG. K.O.
- ⊕ 7/8" OFFSET K.O.
- ⊕ 2" K.O.
- V-HOOK



**CATALOG NUMBER**

| NOMINAL TOTAL LENGTH LAMPS |      | NOMINAL TOTAL LENGTH LAMPS |      | NOMINAL TOTAL LENGTH LAMPS |      |
|----------------------------|------|----------------------------|------|----------------------------|------|
| KDS200-1-2LI               | 2' 1 | KDS200-1-6LIT              | 6' 2 | KDS200-2-3LI               | 3' 2 |
| KDS200-1-2LR               | 2' 1 | KDS200-1-6LRT              | 6' 2 | KDS200-2-3LR               | 3' 2 |
| KDS200-1-2LO               | 2' 1 | KDS200-1-6LOT              | 6' 2 | KDS200-2-3LO               | 3' 2 |
| KDS200-1-3LI               | 3' 1 | KDS200-1-8LIT              | 8' 2 | KDS200-2-4LI               | 4' 2 |
| KDS200-1-3LR               | 3' 1 | KDS200-1-8LRT              | 8' 2 | KDS200-2-4LR               | 4' 2 |
| KDS200-1-3LO               | 3' 1 | KDS200-1-8LOT              | 8' 2 | KDS200-2-4LO               | 4' 2 |
| KDS200-1-4LI               | 4' 1 | KDS200-2-2LI               | 2' 2 | KDS200-2-6LIT              | 6' 4 |
| KDS200-1-4LR               | 4' 1 | KDS200-2-2LR               | 2' 2 | KDS200-2-6LRT              | 6' 4 |
| KDS200-1-4LO               | 4' 1 | KDS200-2-2LO               | 2' 2 | KDS200-2-6LOT              | 6' 4 |
|                            |      |                            |      | KDS200-2-8LIT              | 8' 4 |
|                            |      |                            |      | KDS200-2-8LRT              | 8' 4 |
|                            |      |                            |      | KDS200-2-8LOT              | 8' 4 |

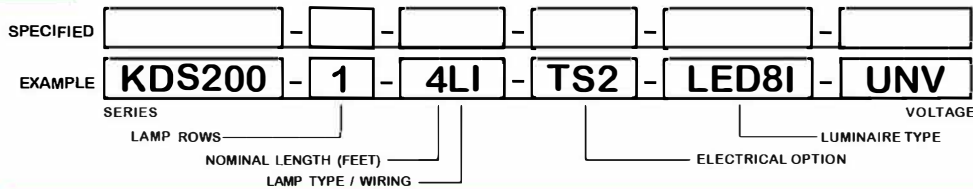
**SAFETY SWITCH**

**TS2**- LED Luminaire On/Off Safety Switch

- Easily accessible on exterior of wire way.
- Allows individual fixture to be switched ON/OFF during re-lamping or Maintenance.
- Prevents damage to lamp and electrical shock during lamping and re-lamping.
- Allows safe entry to wire way channel where power connector can be disconnected for maintenance to fixture.



**ORDERING GUIDE**



**LAMP TYPE**

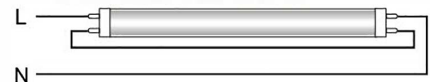
**LI** = LED T8 internal driver light tube.  
Both ends powered.  
Shunted sockets used.



**LR** = LED T8 internal driver light tube.  
Single end powered.  
Non-shunted sockets used.



**LO** = LED T8 internal driver light tube.  
Both ends powered, one wire connects lampholders together from each side.  
Non-shunted sockets used.



**OPTIONS AND ACCESSORIES**

● **ELECTRICAL OPTIONS**

LED Luminaire ON/OFF Safety Switch

SUFFIX  
TS2

● **ACCESSORIES**

Wire Guard-14 Ga.  
12" Coupling For Row Mounting  
4" Leg Height V-Hook

CAT. NO.  
WG14-KDS200  
CMC-KDS200  
V-4

\*See Appropriate Reference Page

**SPECIFICATIONS**

- **TYPE**
- **CONSTRUCTION**
- **FINISH**
- **WIRE GUARDS**
- **WIRING**
- **LABELS**

Knocked down open commercial luminaire for LED T8 internal driver light tube (s)\*\*. For installation in commercial, industrial and mass merchandising applications.  
Die formed cold rolled steel which meets or exceeds U.L. standards. End plates are fastened to housing by sheet metal screws to assure rigidity.  
High reflectance baked white polyester finish.  
Chrome epoxy powder coated.  
Operates LED T8 internal driver light tube(s)\*\*.  
U.L. Listed. Suitable for damp locations.

\*\* Lamp(s) by others.

