



# SPECIAL PURPOSE

## MCR200 SERIES



### Class 100 Clean Room Metal Sided



- Class 100 Clean Room Metal Sided Luminaire
- ISO Class 5 Equivalent
- All Parts Are Fitted And Sealed
- Welded And Painted After Fabrication
- Full Length Piano Hinge And Captive Screws
- Inverted Nominal .125 Clear Prismatic Acrylic Lens
- Suitable for Damp Location
- Available with:
  - Fluorescent, LED and LED T8 (Internally Driven)
  - Variety of Lens
  - Tamper Proof Screws
  - Emergency Battery Pack



Photometric Data and IES Files are Available on [www.lalighting.com](http://www.lalighting.com)



**LOS ANGELES LIGHTING MFG. CO.**

10141 OLNEY ST. / EL MONTE, CA 91731

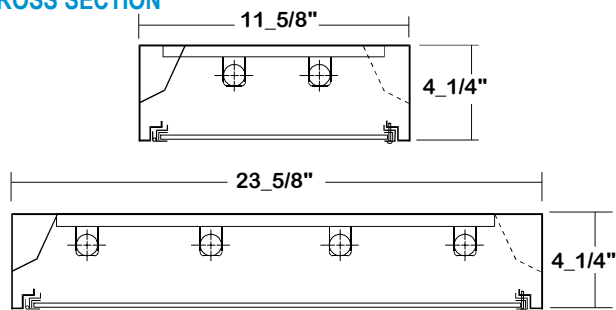
TEL : 626-454-8300 FAX : 626-454-8399

[www.lalighting.com](http://www.lalighting.com)

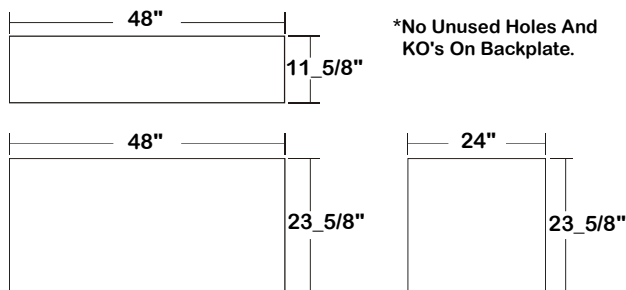


# MCR200 SERIES

## CROSS SECTION

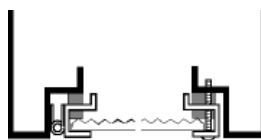


## BACK PLATE



## DOOR FRAME INFORMATION

### CROSS SECTION



### EXPLANATION

1. Inverted Lens.
2. Continuous Piano Hinge.
3. Two 10-24 Captive Machine Screws.
4. Sealed With Closed Cell Neoprene Gasket.

### FS W

#### FINISHES

- W - White Enamel
- B - Black Enamel
- N - Natural Anodized Aluminum

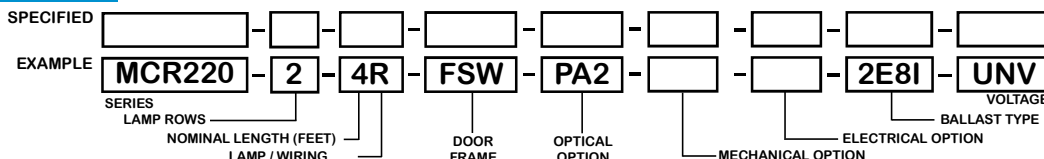
#### STYLES

- FS - Flat Steel

## CATALOG NUMBER

	NOMINAL WIDTH X LENGTH	TOTAL LAMPS		NOMINAL WIDTH X LENGTH	TOTAL LAMPS		NOMINAL WIDTH X LENGTH	TOTAL LAMPS
MCR210-2-4M	1' X 4'	2	MCR210-2-4R	1' X 4'	2	MCR220-4-2R	2' X 2'	4
MCR220-2-2M	2' X 2'	2	MCR220-2-2R	2' X 2'	2	MCR220-2-4R	2' X 4'	2
MCR220-2-4M	2' X 4'	2	MCR220-2-2RU6	2' X 2'	2	MCR220-3-4R	2' X 4'	3
MCR220-3-4M	2' X 4'	3	MCR220-3-2R	2' X 2'	3	MCR220-4-4R	2' X 4'	4
MCR220-4-4M	2' X 4'	4						

## ORDERING GUIDE



NOTE: LAMP/WIR- M=Miniature Bi-Pin T5 R=Medium Bi-Pin T8 RU6= Medium Bi-Pin T8 U Shaped 6" Spacing

## OPTIONS AND ACCESSORIES

### OPTICAL OPTIONS

- Polycarbonate Lenses
- High Impact Acrylic
- Clear Prismatic Acrylic Nom. .125
- Flat White Matte Diffusers

- SUFFIX  
\*  
\*  
PA2  
FWA

### MECHANICAL OPTIONS

- Tamper Proof Screws (Hex Socket With Post)
- ELECTRICAL OPTIONS
  - Emergency Battery Pack
  - External Line Fusing (HLR/GLR)

- SUFFIX  
TP  
  
SUFFIX  
BP\*  
ELF

### BALLAST OPTIONS\*

- Electronic T5
  - Electronic T5HO
  - Electronic T8 Instant Start
  - Electronic T8 Rapid Start
  - Electronic T8HO
- x = Number of Lamps per Ballast

- SUFFIX  
xE5  
xE5H  
xE8I  
xE8R  
xE8H

\*Refer to [www.lalighting.com/resources](http://www.lalighting.com/resources) for more information

## SPECIFICATIONS

### TYPE

Class 100 surface mounted square sided clean room fixture, ISO Class 5 equivalent. Applicable where a sealed ceiling situation exists.

### CONSTRUCTION

20 ga. cold rolled steel welded housing. All parts are fitted and sealed, no unused holes or KO's.

### FINISH

Baked white powder coated finish, minimum reflectance 90%, painted after fabrication.

### DOOR FRAME

20 gauge cold rolled steel. Full length piano hinge. Captive screw catch. Door frame and lens sealed with closed cell neoprene gasket.

### OPTICS

Inverted clear prismatic acrylic lens standard, nominal .125 overall thickness.

### WIRING

120v 60Hz., 277v 60Hz., UNV (universal voltage 120v thru 277v.) or as otherwise specified.

### LABELS

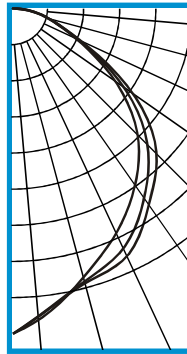
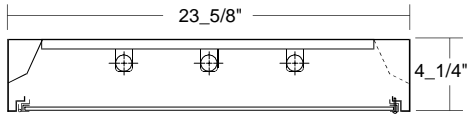
U.L. Listed. Suitable for damp locations.



**PHOTOMETRIC DATA**

**MCR220-3-4R-FSW-PA-E8**

TEST NO.=LA-T0456-1  
 LAMP TYPE=FO32T8  
 NO. OF LAMP=3  
 LUMENS PER LAMP=2900  
 WATTS PER LAMP=32  
 BALLAST FACTOR=1  
 PHOTOMETRY TYPE=C



**CANDLEPOWER**

ANGLE	END	45	CROSS
0	2408	2408	2408
5	2307	2279	2282
15	2049	2085	2100
25	1824	1949	2014
35	1580	1698	1759
45	1301	1404	1501
55	910	987	1069
65	500	521	534
75	255	263	263
85	75	83	86
90	6	7	7
95	0	0	0
105	0	0	0
115	0	0	0
125	0	0	0
135	0	0	0
145	0	0	0
155	0	0	0
165	0	0	0
175	0	0	0
180	0	0	0

**ZONAL LUMEN SUMMARY**

DEGREES	LUMENS	% LAMP	% FIXTURE
0-30	1704	19.6	30.4
0-40	2761	31.7	49.3
0-60	4734	54.4	84.6
0-90	5594	64.3	100.0
90-120	2	0.0	0
90-150	2	0.0	0
90-180	2	0.0	0
0-180	5596	64.3	100.0

Lumen Output = 5596 lumens  
 Luminaire Efficiency = 64.3%

**SPACING CRITERION**

ALONG	ACROSS
1.06	1.17

This space is intentionally left blank.

This space is intentionally left blank.

This space is intentionally left blank.

