



SPECIAL PURPOSE

MCR700 SERIES



Class 1000/10000 Clean Room Metal Sided



- Class 1000/10000 Clean Room Metal Sided Luminaire
- ISO Class 6 / ISO Class 7 Equivalent
- All Parts Are Fitted And Sealed
- Welded And Painted After Fabrication
- T-Hinge & Spring Loaded Latch
- Inverted Nominal .125 Clear Prismatic Acrylic Lens
- Available with:
 - Fluorescent, LED and LED T8 (Internally Driven)
 - Variety of Lenses & Door Frame
 - Tamper Proof Screws
 - Emergency Battery Pack



Photometric Data and IES Files are Available on www.lalighting.com

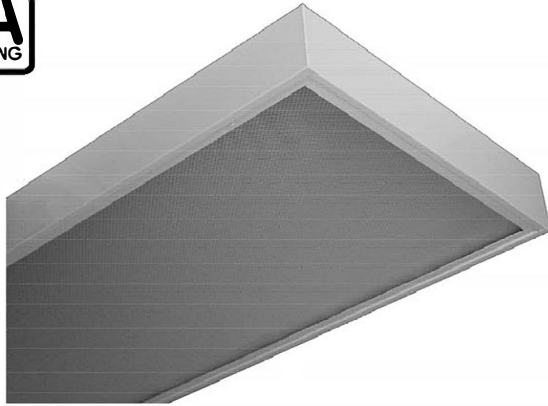


LOS ANGELES LIGHTING MFG. CO.

10141 OLNEY ST. / EL MONTE, CA 91731

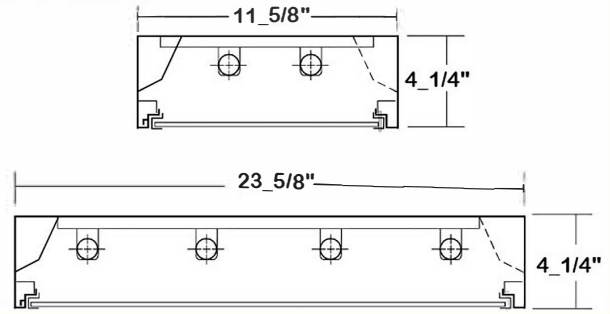
TEL : 626-454-8300 FAX : 626-454-8399

www.lalighting.com

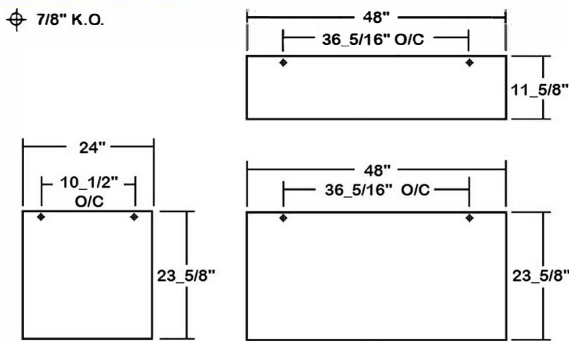


MCR700 SERIES

CROSS SECTION

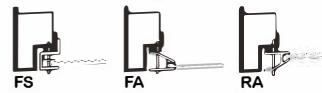


BACK PLATE



DOOR FRAME INFORMATION

CROSS SECTION



FS W

FINISHES

- W - White Enamel
- B - Black Enamel
- N - Natural Anodized Aluminum

EXPLANATION

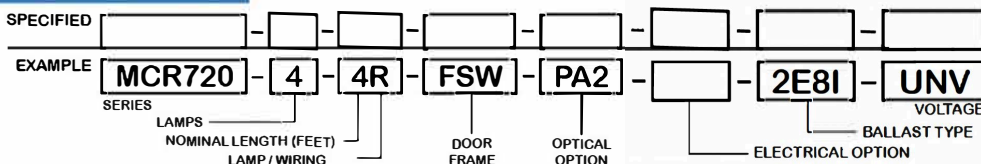
1. Inverted Lens.
2. T-Hinge, Positive Spring Loaded Latch.
3. Sealed With Neoprene Gasket.
4. Light Stop Covers Installed.
5. Silicone Sealed Corners.
6. Internal Frame Rail.

- FS - Flat Steel
- (W) Internal Frame Rail. No gasket.)
- FA - Flat Extruded Aluminum
- RA - 5/8" Regressed Extruded Aluminum

CATALOG NUMBER

	NOMINAL WIDTH X LENGTH	TOTAL LAMPS		NOMINAL WIDTH X LENGTH	TOTAL LAMPS		NOMINAL WIDTH X LENGTH	TOTAL LAMPS
MCR710-2-4M	1' X 4'	2	MCR710-2-4R	1' X 4'	2	MCR720-4-2R	2' X 2'	4
MCR720-2-2M	2' X 2'	2	MCR720-2-2R	2' X 2'	2	MCR720-2-4R	2' X 4'	2
MCR720-2-4M	2' X 4'	2	MCR720-2-2R6	2' X 2'	2	MCR720-3-4R	2' X 4'	3
MCR720-3-4M	2' X 4'	3	MCR720-3-2R	2' X 2'	3	MCR720-4-4R	2' X 4'	4
MCR720-4-4M	2' X 4'	4						

ORDERING GUIDE



NOTE: LAMP/WIRING*
 M=Miniature Bi-Pin T5
 R=Medium Bi-Pin T8
 RU6= Medium Bi-Pin T8
 U Shaped 6" Spacing

OPTIONS AND ACCESSORIES

OPTICAL OPTIONS

- Polycarbonate Lenses
- High Impact Acrylic
- Clear Prismatic Acrylic Nom .125
- Flat White Matte Diffusers

SUFFIX
 *
 *
 PA2
 FWA

MECHANICAL OPTIONS

- Tamper Proof Screws (Hex Socket With Post)

SUFFIX
 TP

ELECTRICAL OPTIONS

- Emergency Battery Pack
- External Line Fusing (HLR/GLR)

SUFFIX
 BP*
 ELF

*See appropriate reference page

BALLAST OPTIONS

- Electronic Ballasts T8
- Electronic T8 Step Dimming
- Electronic Ballast T5
- Electronic Ballast T5HO
- Electronic T5HO Step Dimming

SUFFIX
 E8*
 E8SD
 E5
 E5H
 E5HSD

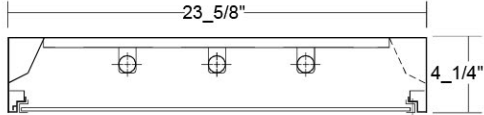
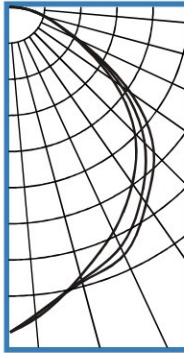
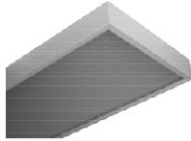
SPECIFICATIONS

- TYPE** Class 1000/10000 surface mounted square sided clean room fixture, ISO Class 6/ ISO Class 7 equivalent. Applicable where a sealed ceiling situation exists.
- CONSTRUCTION** 20 ga. cold rolled steel welded housing. All parts are fitted and sealed, no unused holes or KO's.
- FINISH** Baked white powder coated finish, minimum reflectance 90%, painted after fabrication.
- DOOR FRAME** 20 gauge cold rolled steel. T-hinges and positive spring loaded latches. Door frame sealed with neoprene gasket.
- OPTICS** Inverted clear prismatic acrylic lens standard, nominal .125 overall thickness.
- WIRING** 120v 60Hz., 277v 60Hz., UNV (universal voltage 120v thru 277v.) or as otherwise specified.
- LABELS** U.L. Listed. Suitable for damp locations.



MCR720-3-4R-FSW-PA-E8

TEST NO.=LA-T0456-2
 LAMP TYPE=FO32T8
 NO. OF LAMP=3
 LUMENS PER LAMP=2900
 WATTS PER LAMP=32
 BALLAST FACTOR=1
 PHOTOMETRY TYPE=C



CANDLEPOWER

ANGLE	FND	45	CROSS
0	2408	2408	2408
5	2307	2279	2282
15	2049	2085	2100
25	1824	1949	2014
35	1580	1698	1759
45	1301	1404	1501
55	910	987	1069
65	500	521	534
75	255	263	263
85	75	83	86
90	6	7	7
95	0	0	0
105	0	0	0
115	0	0	0
125	0	0	0
135	0	0	0
145	0	0	0
155	0	0	0
165	0	0	0
175	0	0	0
180	0	0	0

ZONAL LUMEN SUMMARY

DEGREES	LUMENS	% LAMP	% FIXTURE
0-30	1704	19.6	30.4
0-40	2761	31.7	49.3
0-60	4734	54.4	84.6
0-90	5594	64.3	100.0
90-120	2	0.0	0
90-150	2	0.0	0
90-180	2	0.0	0
0-180	5596	64.3	100.0

Lumen Output = 5596 lumens
 Luminaire Efficiency = 64.3%

SPACING CRITERION

ALONG	ACROSS
1.06	1.17

This space is intentionally left blank.

This space is intentionally left blank.

This space is intentionally left blank.

